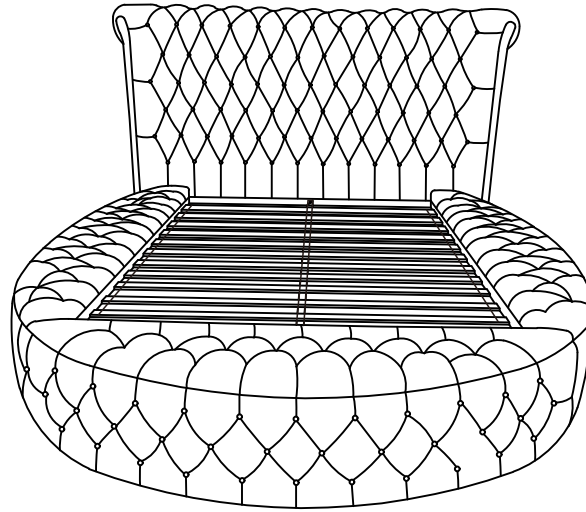


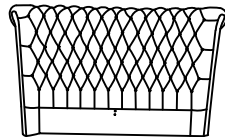
# ASSEMBLY INSTRUCTION

NO.:CP231-Q



## spare parts 1

**A**



Headboard

x1

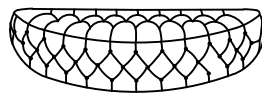
**E**



Metal Leg Support

x 2

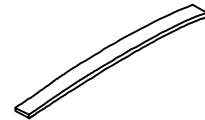
**B**



Footboard

x1

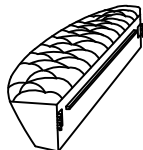
**F**



Bent Slats

x 26

**C**



Side Rail

x2

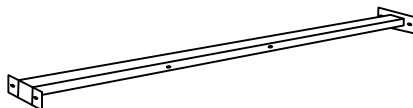
**G**



Center Plastic Cap

x 13

**D**



Center Support bar

x1








**H**



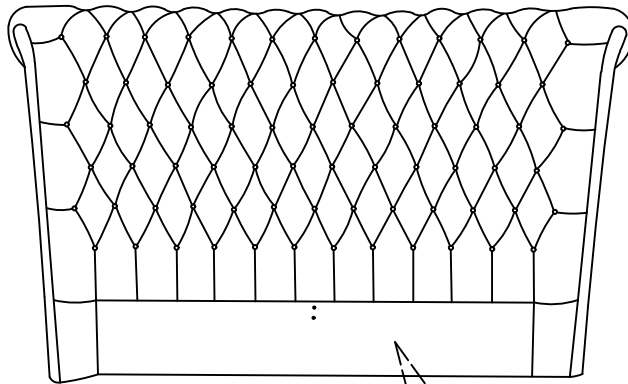
End Plastic Cap

x 26

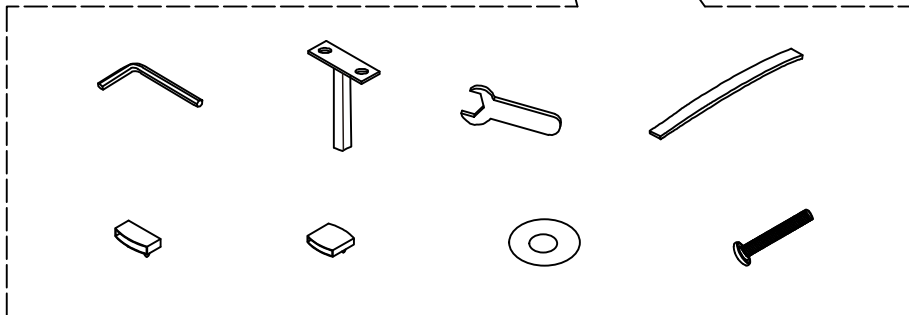
# spare parts 2

a	 5/16*40mm x16	e	 5/16 x4
b	 5/16*50mm x4	f	 M5 x1
c	 5/16 x20	g	 x1
d	 5/16 x20		

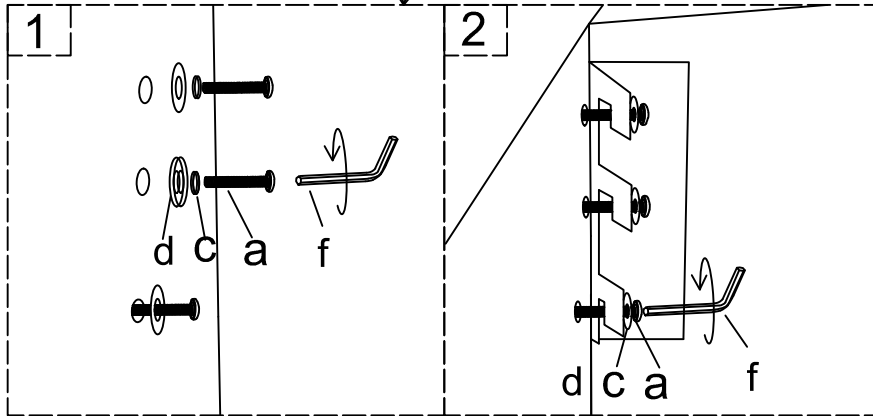
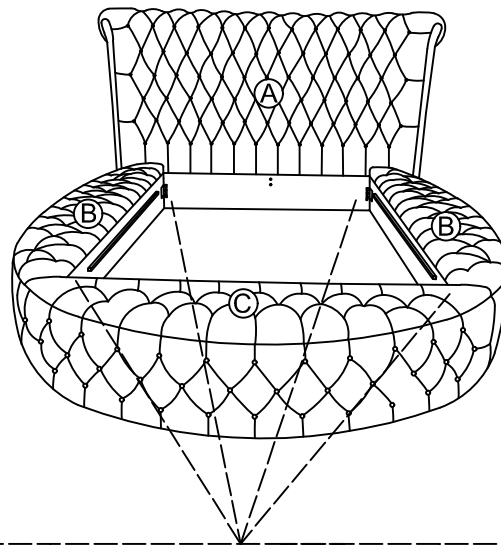
setp:1



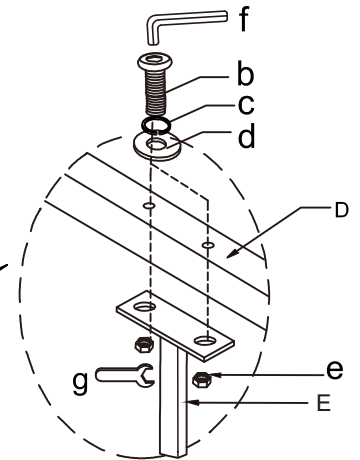
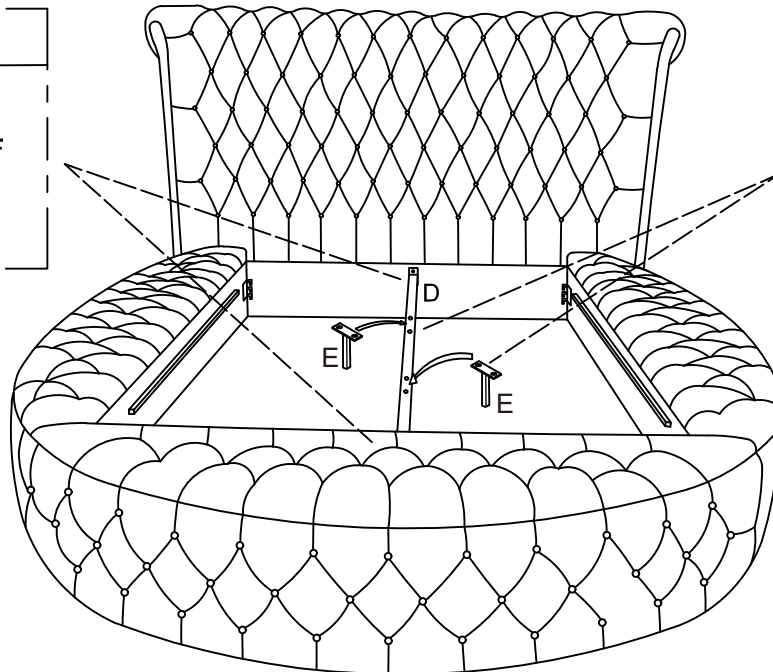
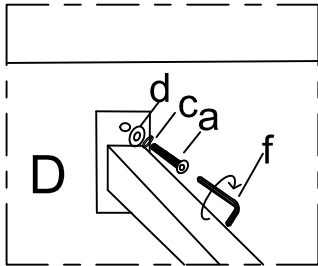
OPEN



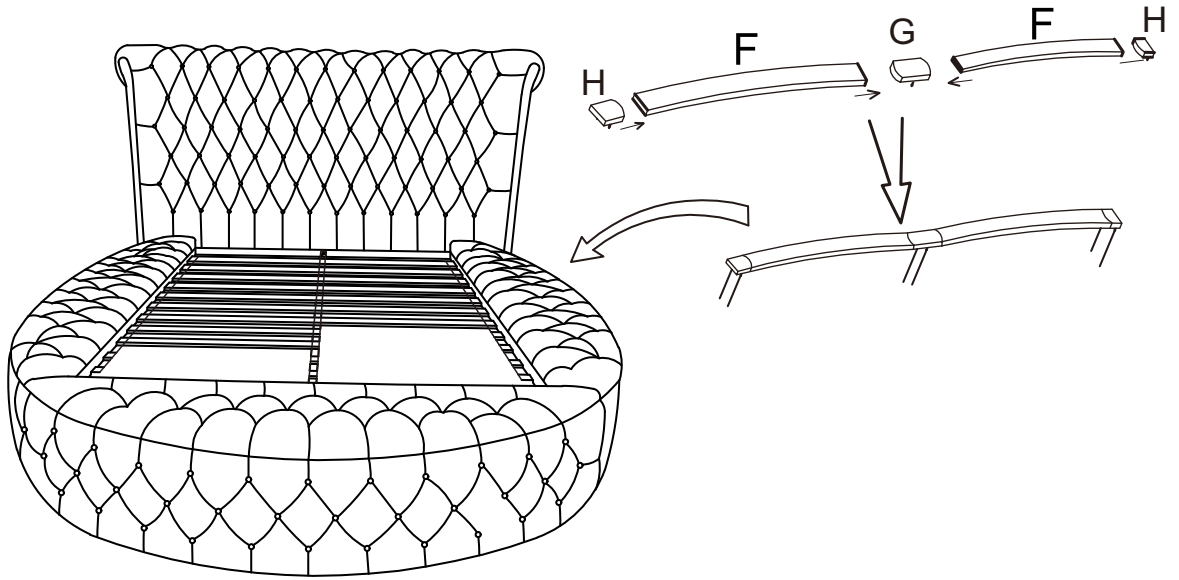
setp:2



setp:3



setp:4



setp:5

