

THANK YOU

We hope you enjoy your new purchase.

We have personally inspected this product.

In the event that you need any additional help for any reason,

Please do not hesitate to contact use at: 973-473-5068

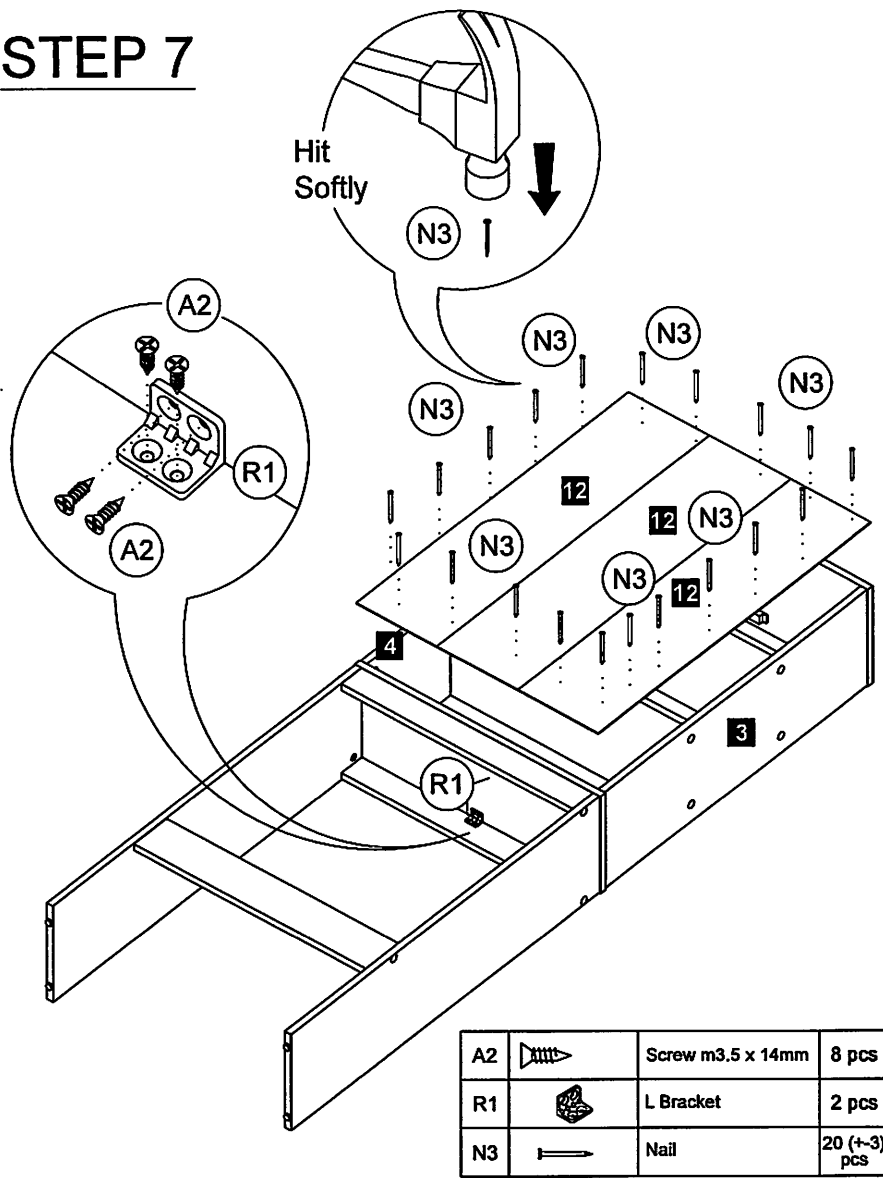
Email maria@better-homeproducts.com

See our website Woodpeckers-furniture.com

**Better Home Products
323 Cortland Street
Belleville New Jersey**

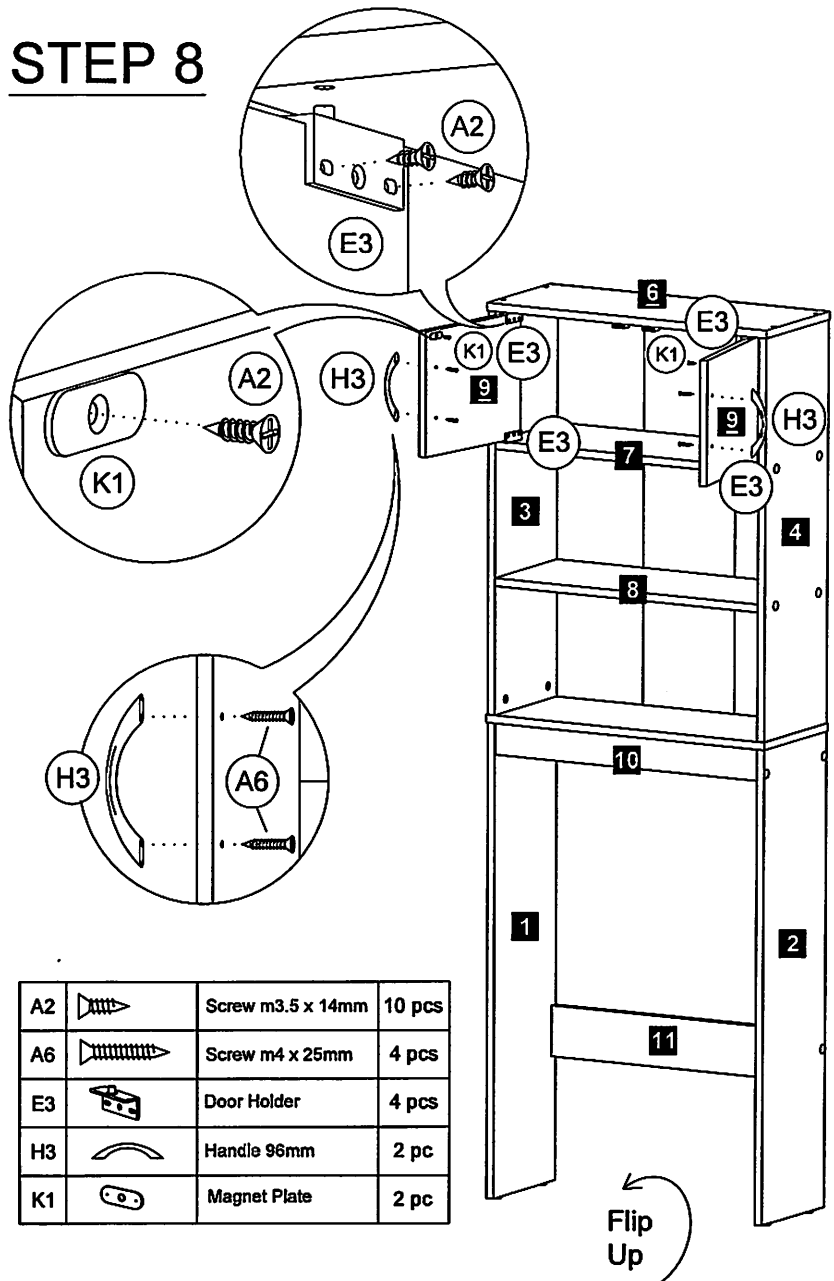
Thank you

STEP 7



A2		Screw m3.5 x 14mm	8 pcs
R1		L Bracket	2 pcs
N3		Nail	20 (+-3) pcs

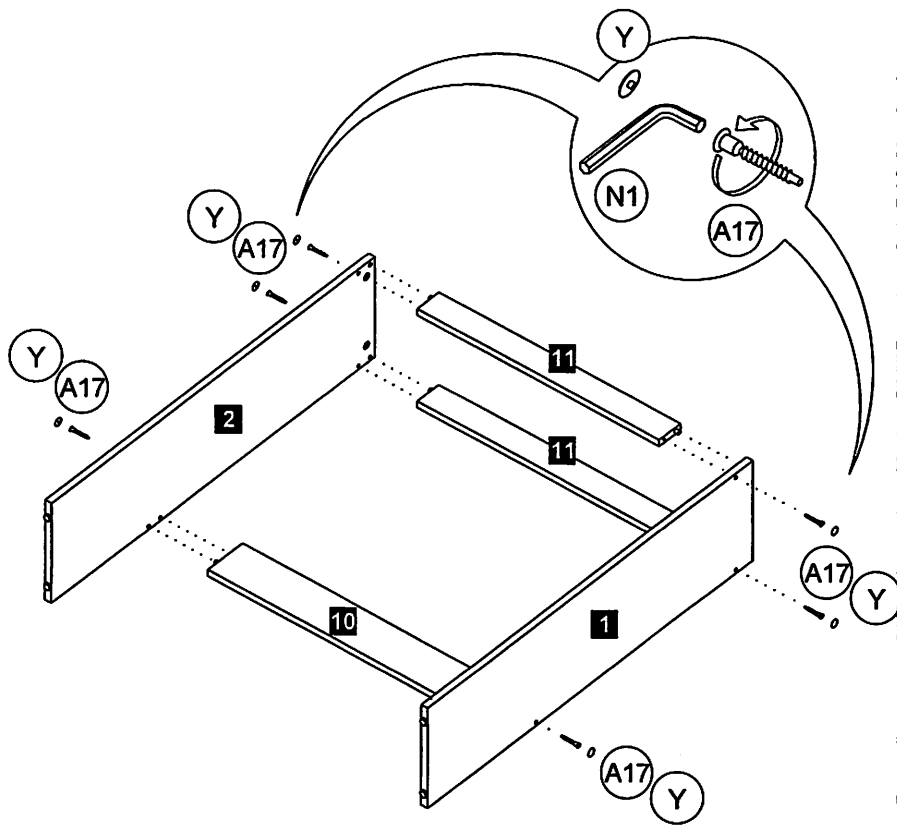
STEP 8



A2		Screw m3.5 x 14mm	10 pcs
A6		Screw m4 x 25mm	4 pcs
E3		Door Holder	4 pcs
H3		Handle 96mm	2 pc
K1		Magnet Plate	2 pc

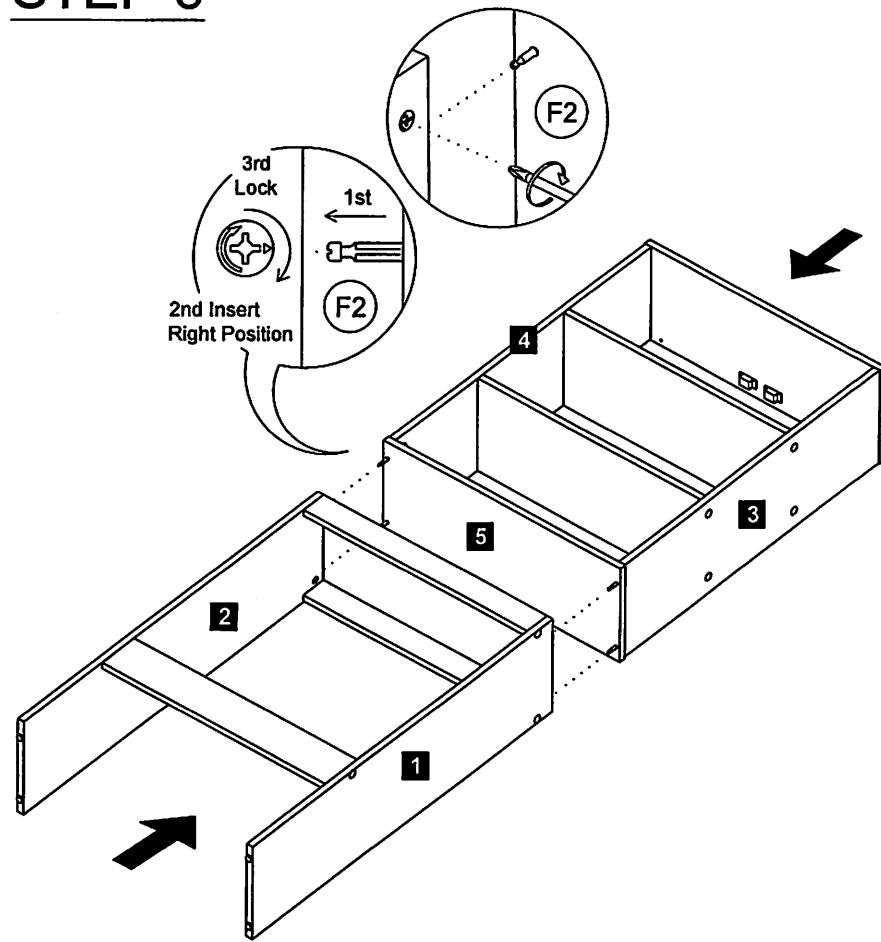
Flip Up

STEP 5



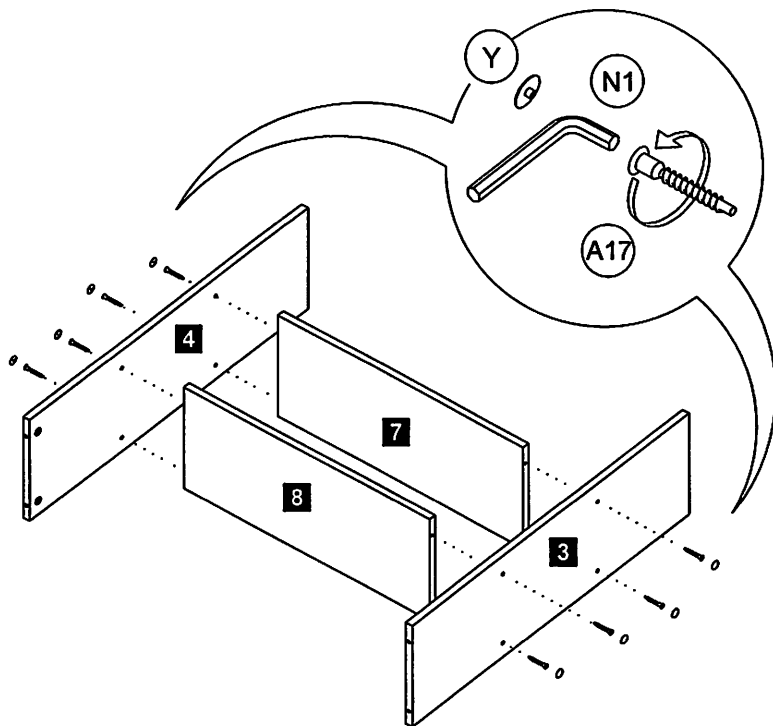
A17		Crosshead Screw m6,3 x 40mm	6 pcs
N1		Allen Key	1 pc
Y		Crosshead Cover	6 pcs




STEP 6



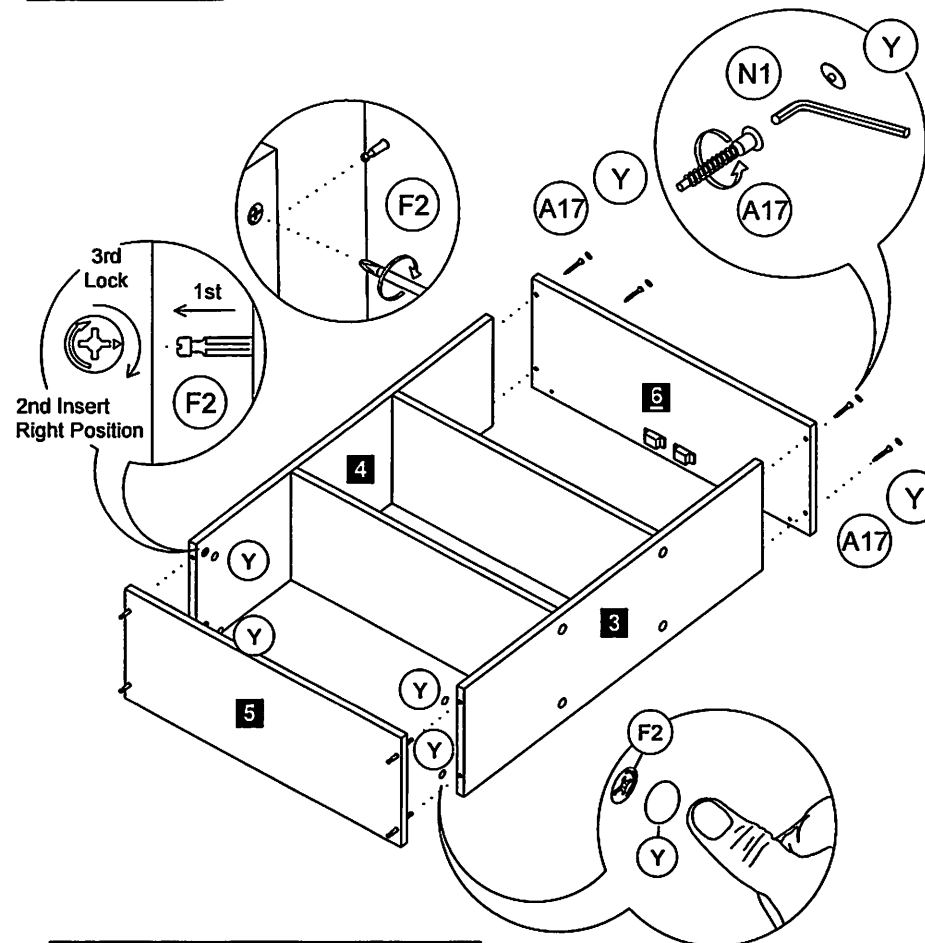
F2		Mini Fix 15mm	4 sets
----	--	---------------	--------

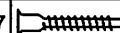



STEP 3



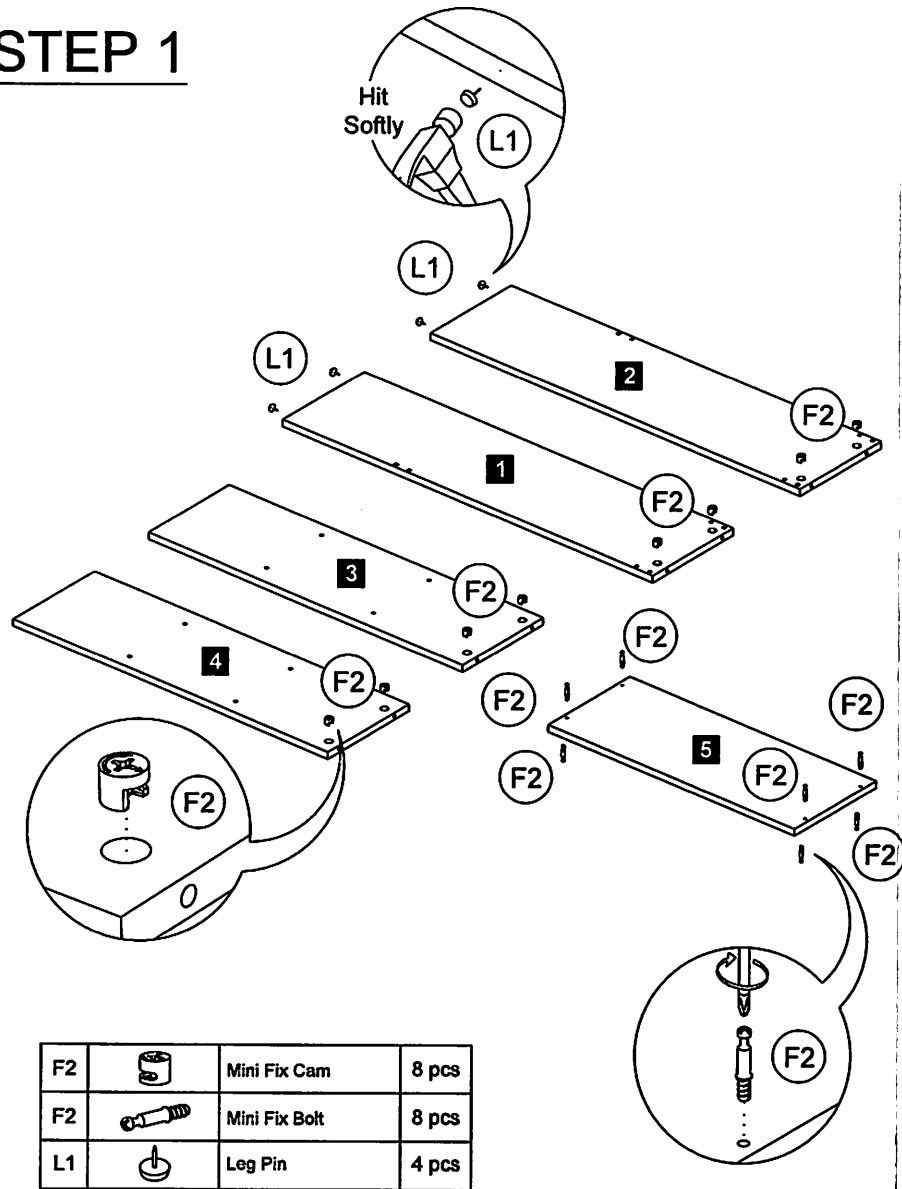
A17		Crosshead Screw m6.3 x 40mm	8 pcs
N1		Allen Key	1 pc
Y		Crosshead Cover	8 pcs

STEP 4

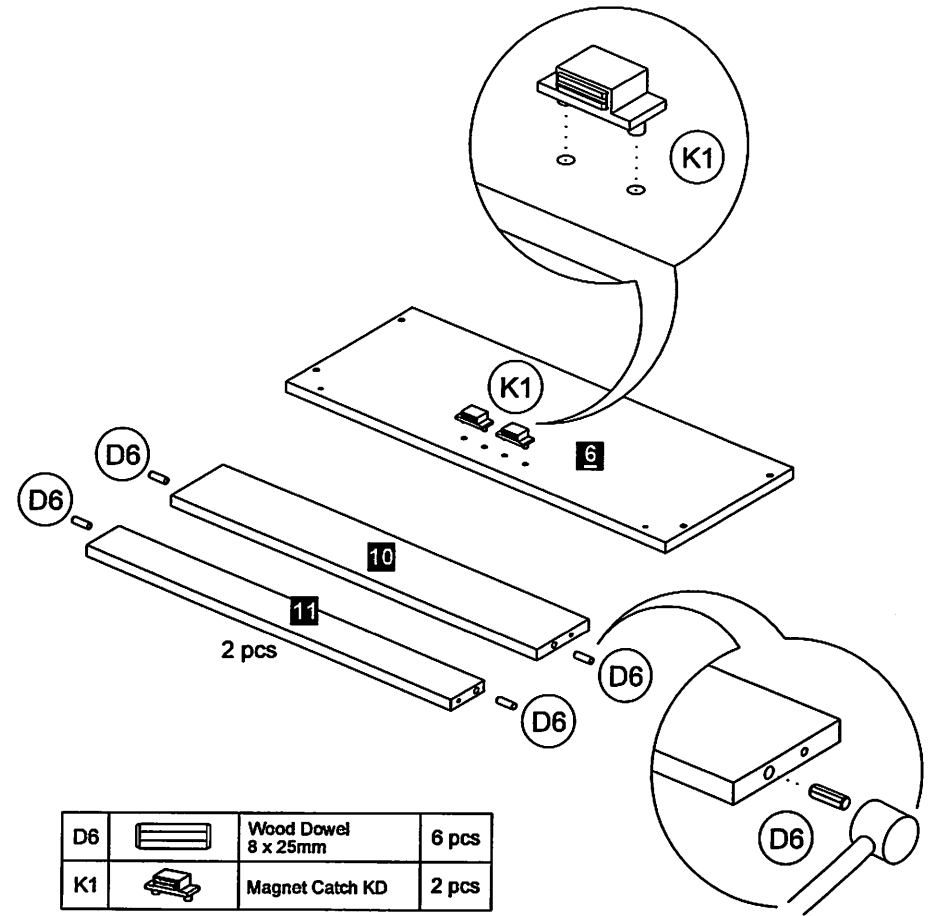


A17		Crosshead Screw m6.3 x 40mm	4 pcs
F2		Mini Fix 15mm	4 sets
N1		Allen Key	1 pc
Y		Crosshead Cover	8 pcs

STEP 1

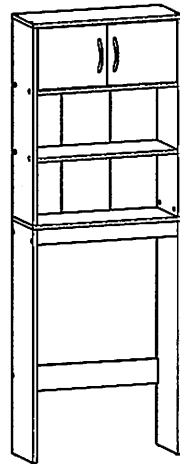


STEP 2



BETTER HOME PRODUCTS ASSEMBLY INSTRUCTIONS

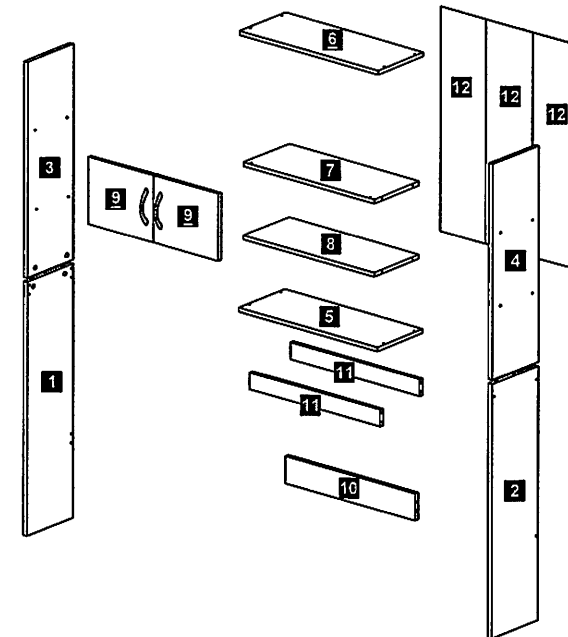
3416



Hardware List			
A2		Screw m3.5 x 14mm	18 pcs
A6		Screw m4 x 25mm	4 pcs
A17		Screw m6.3 x 40mm	18 pcs
D6		Wood Dowel 8 x 25mm	6 pcs
E3		Door Holder	4 pcs
F2		Mini Fix 15mm	8 sets
H3		Handle 96mm	2 pcs
K1		Magnet Catch KD	2 set
L1		Leg Pin	4 pcs
N1		Allen Key	1 pc
N3		Nail	20 (+-3) pcs
R1		L Bracket	2 pcs
Y		Crosshead Cover	22 pcs

MADE IN MALAYSIA

Page 1/11



Parts List		
1	Big Side Panel (L)	1 pc
2	Big Side Panel (R)	1 pc
3	Side Panel (L)	1 pc
4	Side Panel (R)	1 pc
5	Top Panel	1 pc
6	Upper Top Panel	1 pc
7	Big Shelf Panel	1 pc
8	Large Shelf Panel	1 pc
9	Door Panel	2 pcs
10	Big Crossbar	1 pc
11	Crossbar Panel	2 pcs
12	Backboard	3 pcs



Before starting assembly
please verify if all parts and
hardware are included

MADE IN MALAYSIA

Page 2/11