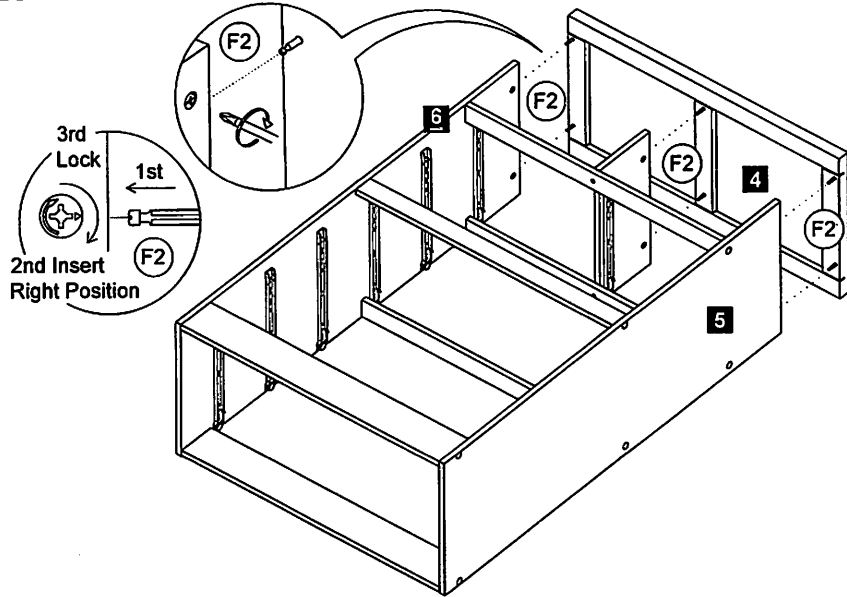
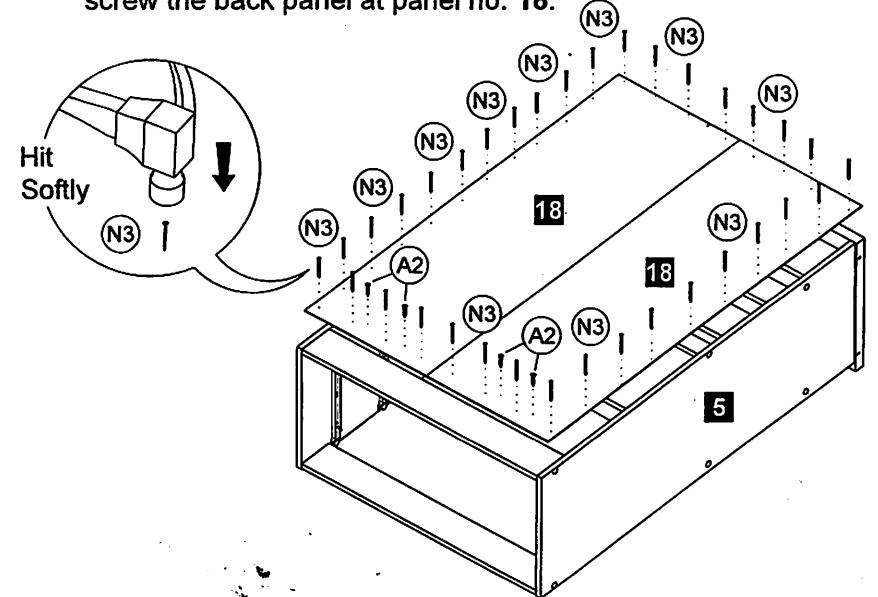


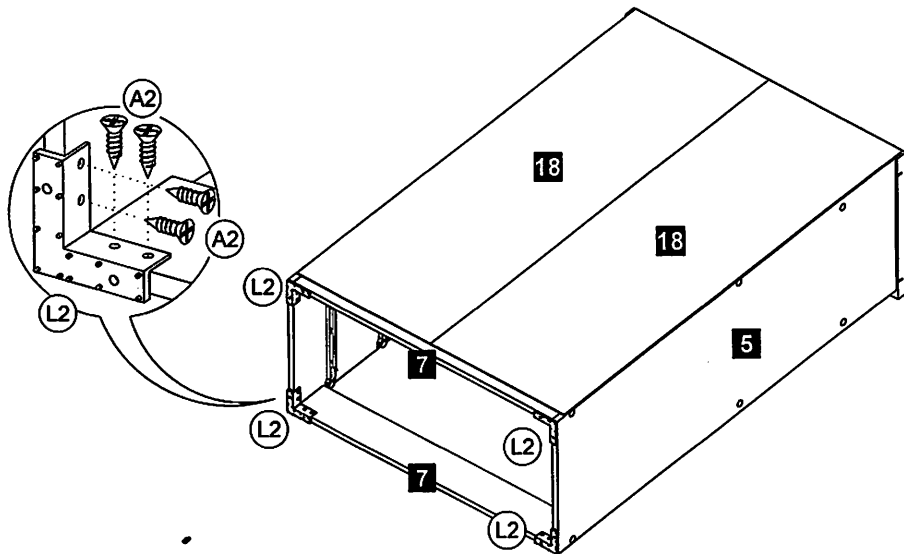
STEP 13 Attach the panel no. 4 to the unit by using Mini Fix 15mm (F2).



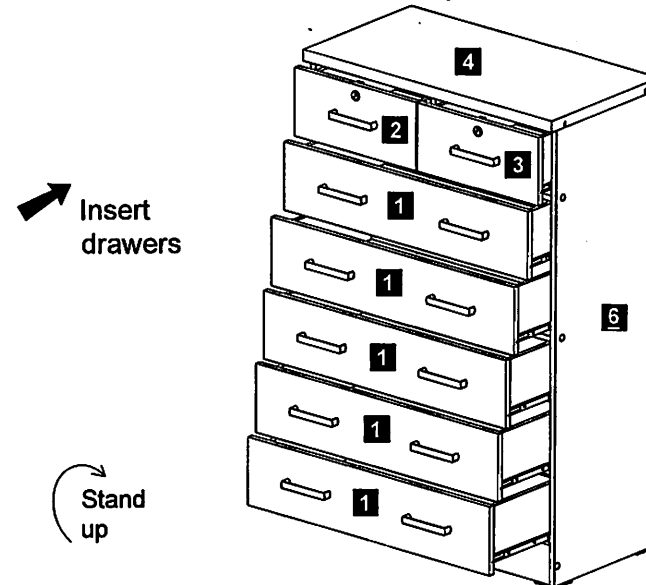
STEP 14 Attach the back panel by Nail (N3). Use Screw m3.5 x 14mm (A2) to screw the back panel at panel no. 18.



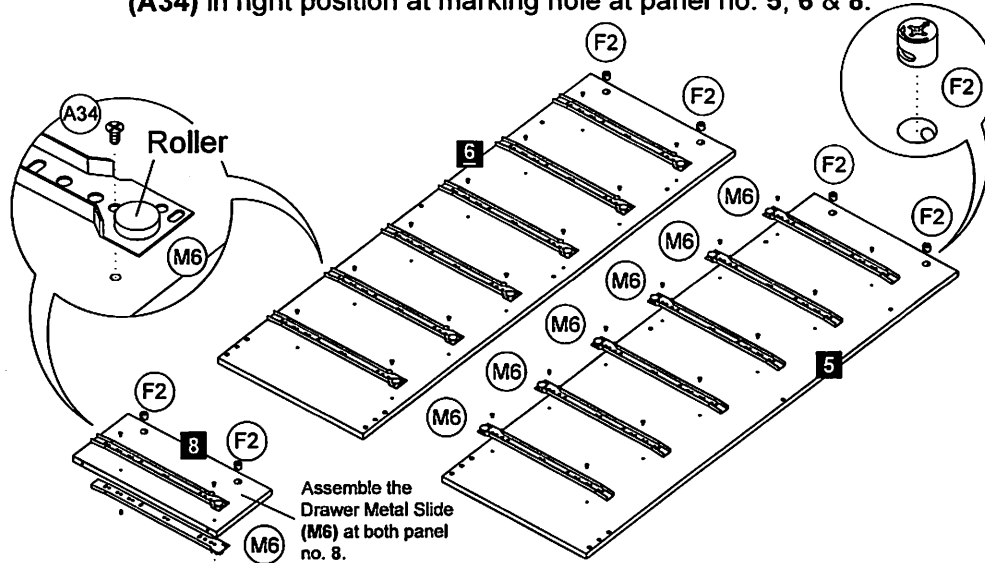
STEP 15 Use Screw m3.5 x 14mm (A2) to assemble the Plastic Leg L Shape (L2) at between side panels & panel no. 7.



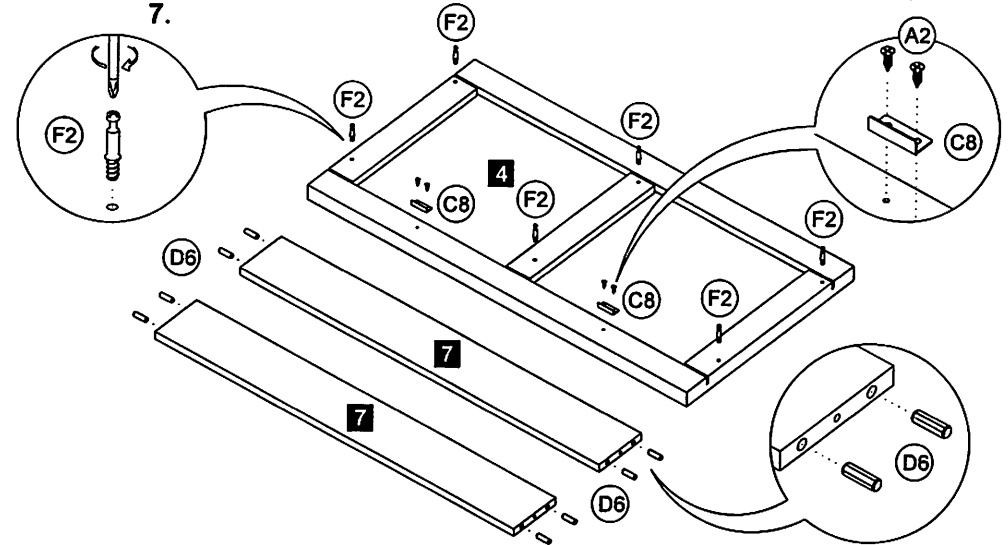
STEP 16 Insert the drawers to the unit.



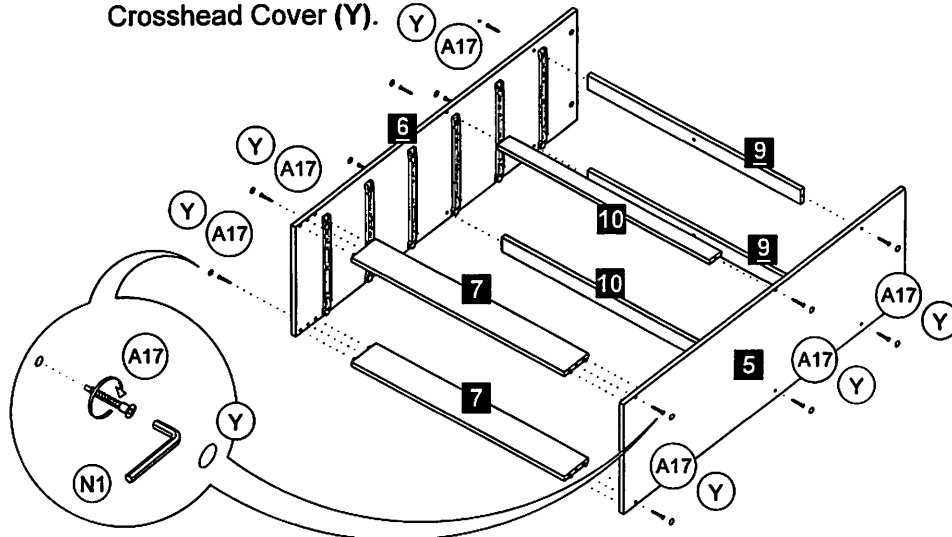
STEP 9 Insert the Mini Fix Cam (F2) at panel no. 5, 6 & 8. Assemble the Drawer Metal Slide 350mm (M6) by using Euro Screw m5 x 8mm (A34) in right position at marking hole at panel no. 5, 6 & 8.



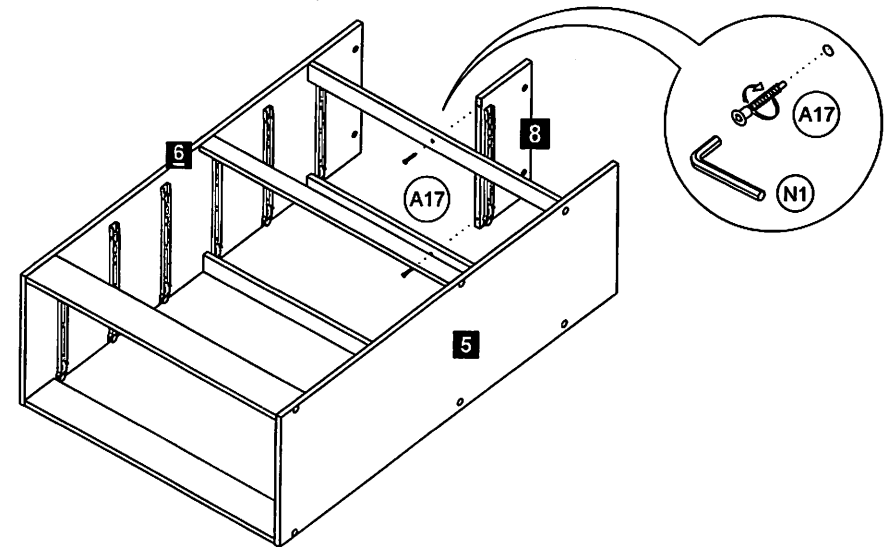
STEP 10 Fix the Mini Fix Bolt (F2) & assemble the Square Lock L Bracket (C8) by using Screw m3.5 x 14mm (A2) in right position at marking hole at panel no. 4. Insert the Wood Dowel 8 x 25mm (D6) at both panel no. 7.



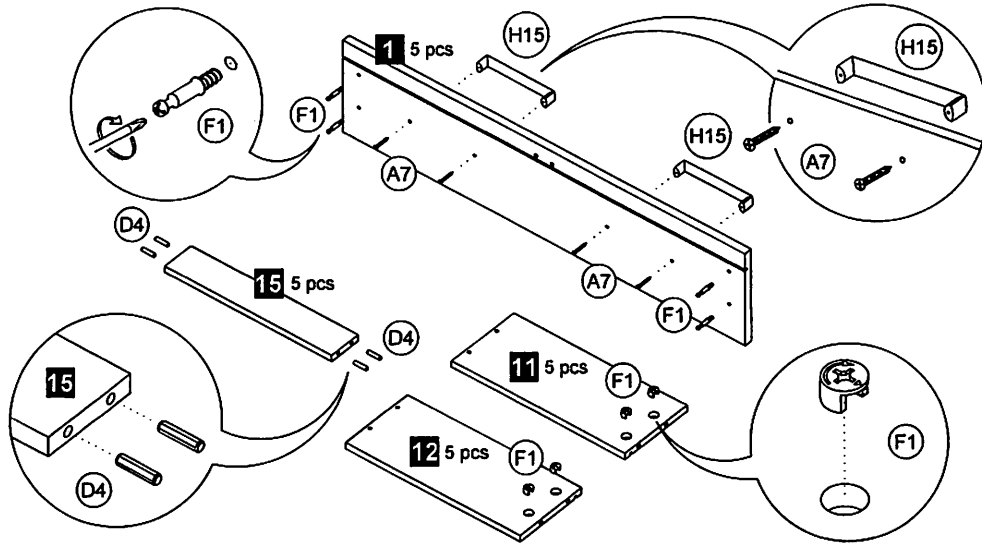
STEP 11 Assemble together panel no. 5, 6, 7, 9 & 10 by using Crosshead Screw m6.3 x 40mm (A17). Use Allen Key (N1) to tighten the Crosshead Screw m6.3 x 40mm (A17). Button the screw head with Crosshead Cover (Y).



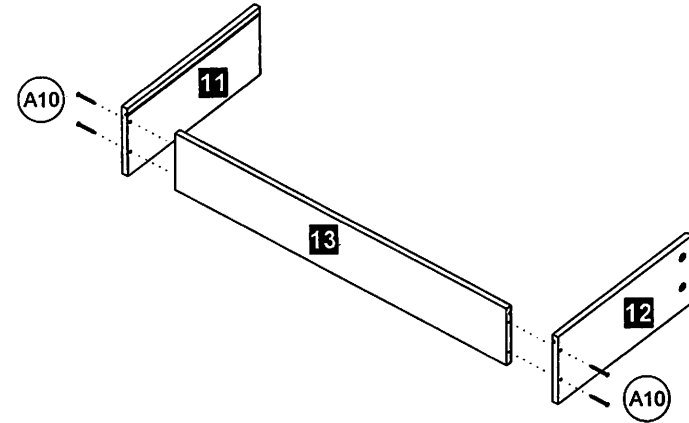
STEP 12 Assemble panel no. 8 to the unit by using Crosshead Screw m6.3 x 40mm (A17). Use Allen Key (N1) to tighten the Crosshead Screw m6.3 x 40mm (A17).



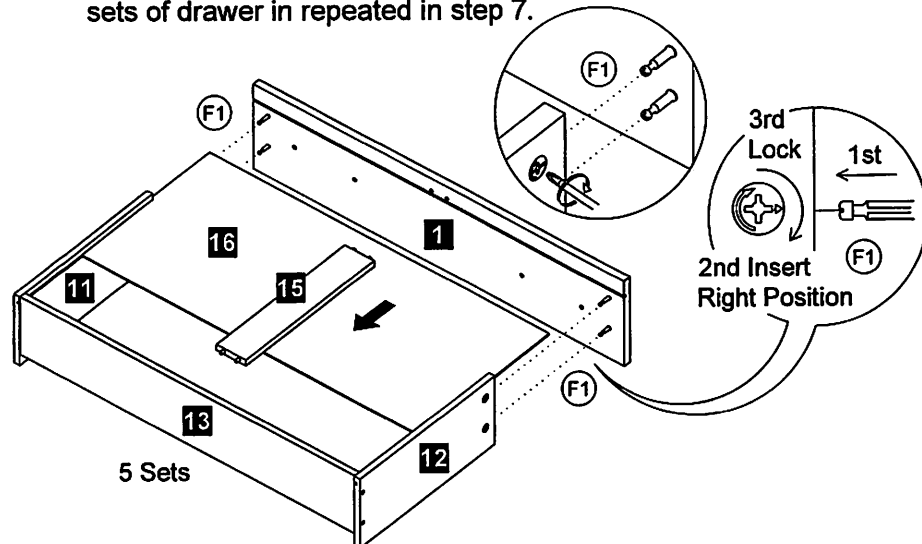
STEP 5 Screw the Mini Fix Bolt (F1) & assemble the Handle (H15) by using Screw (A7) at panel no. 1. Insert the Wood Dowel 6 x 25mm (D4) at panel no. 15 & insert the Mini Fix Cam (F1) at panel no. 11 & 12.



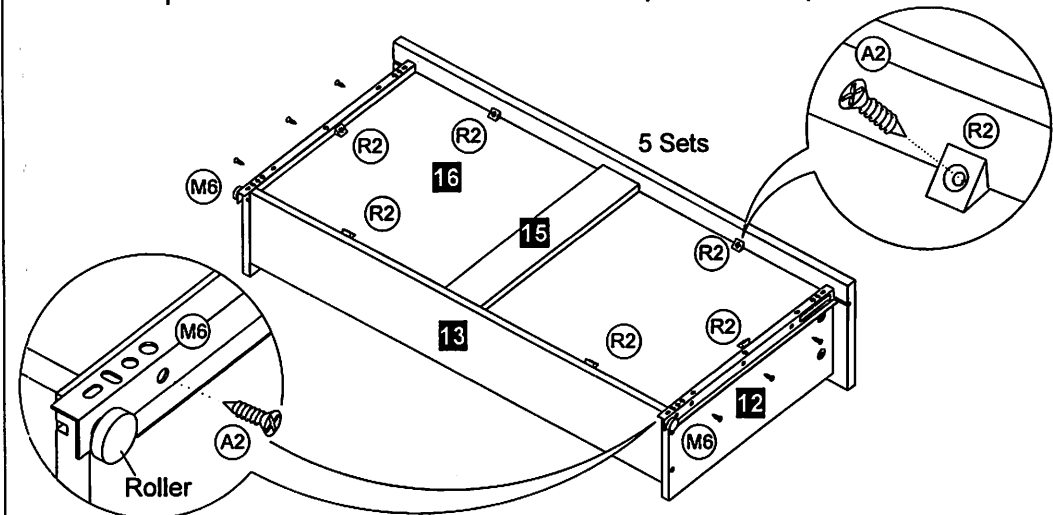
STEP 6 Assemble 5 sets of drawers in repeated at step 6.



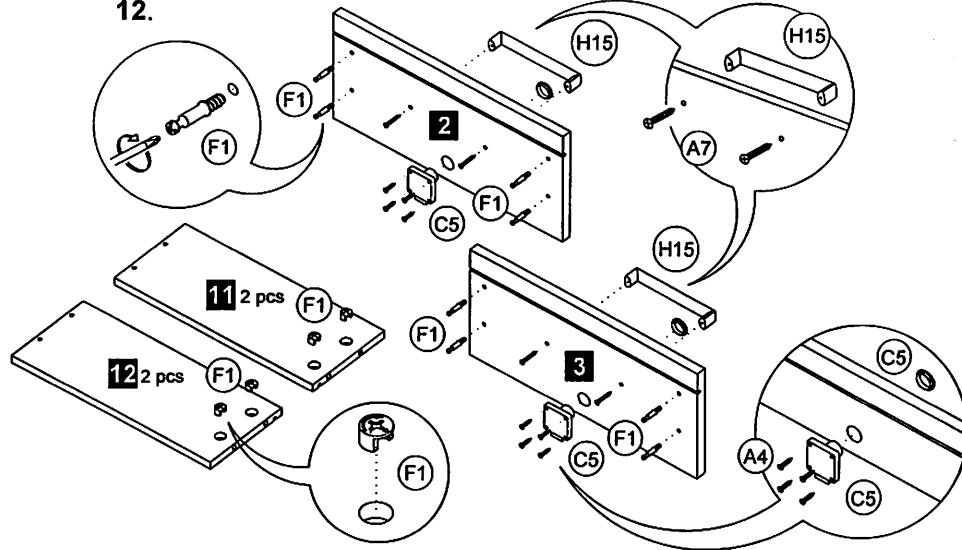
STEP 7 Slide the panel no. 16 until the groove end & attach the panel no. 15 to the unit by using Wood Dowel 6 x 25mm (D4). Assemble the drawer front panel no. 1 by using Mini Fix 12mm (F1). Assemble 5 sets of drawer in repeated in step 7.



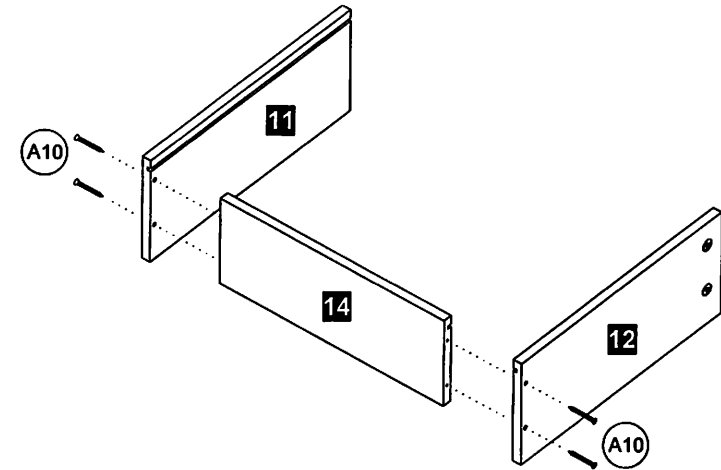
STEP 8 Assemble the Drawer Metal Slide 350mm (M6) at the left & right panel by using Screw m3.5 x 14mm (A2). Use Screw m3.5 x 14mm (A2) to assemble the Single Plastic Cap (R2) to secure the drawer bottom panel. Assemble 5 sets of drawer in repeated in step 8.



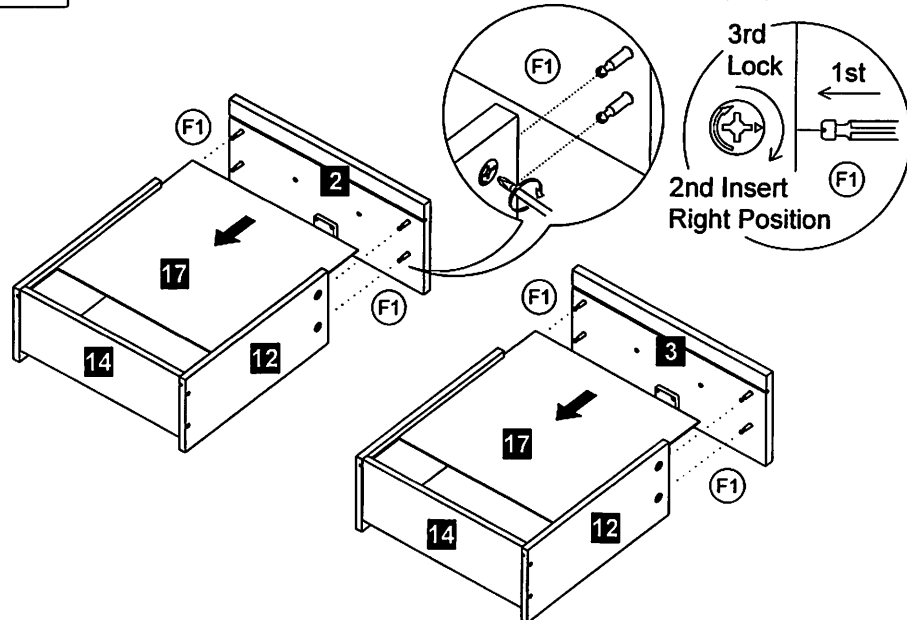
STEP 1 Screw the Mini Fix Bolt (F1) & assemble the Handle (H15) by using Screw (A7) & assemble the Square Lock Set (C5) by using Screw (A4) at panel no. 2 & 3. Insert the Mini Fix Cam (F1) at panel no. 11 & 12.



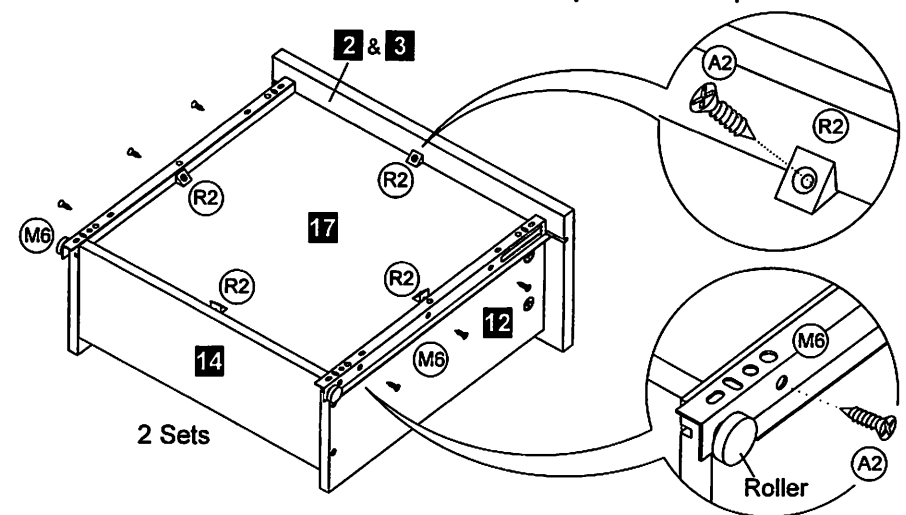
STEP 2 Assemble 2 sets of drawers in repeated at step 2.



STEP 3 Attach the panel no. 2 & 3 by using Mini Fix 12mm (F1).



STEP 4 Assemble the Drawer Metal Slide 350mm (M6) at the left & right panel by using Screw m3.5 x 14mm (A2). Use Screw m3.5 x 14mm (A2) to assemble the Single Plastic Cap (R2) to secure the drawer bottom panel. Assemble 2 sets of drawer in repeated in step 4.



Reference Screw Size.

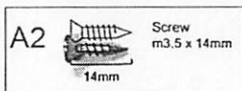
Place your screw on top to identify the size

A2



14mm

Screw
m3.5 x 14mm

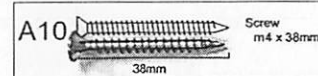


A10



38mm

Screw
m4 x 38mm

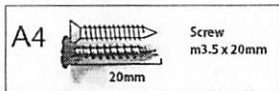


A4

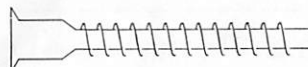


20mm

Screw
m3.5 x 20mm

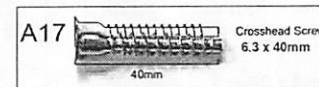


A17

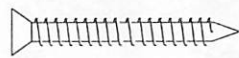


40mm

Crosshead Screw
6.3 x 40mm

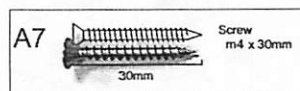


A7



30mm

Screw
m4 x 30mm

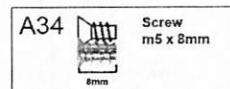


A34



8mm

Euro Screw
m5 x 8mm

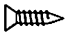
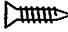
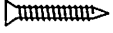
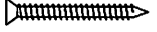
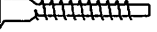

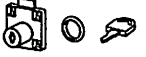

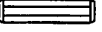


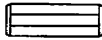
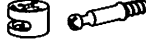
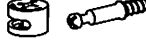


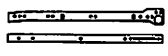
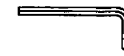



Before you begin, please follow assembly instruction carefully, then follow step by step.

Read instruction carefully. See furniture Parts List and Hardware List for guidance. Be sure you have all parts before you start assembling. Place and assemble furniture on a clean flat soft surface, such as carpet, rug or carton to prevent being scratched.

Reminder :

Please ensure that all surface and edges with colours / laminations are facing forward / outward.

HARDWARE LIST			QTY
A2		Screw m3.5 x 14mm	104
A4		Screw m3.5 x 20mm	8
A7		Screw m4 x 30mm	24
A10		Screw m4 x 38mm	28
A17		Crosshead Screw 6.3 x 40mm	14
A34		Euro Screw m5 x 8mm	28
C5		Square Lock Set	2
C8		Square Lock L Bracket	2
D4		Wood Dowel 6 x 25mm	20

D6		Wood Dowel 8 x 25mm	8
F1		Mini Fix 12mm	28 Sets
F2		Mini Fix 15mm	6 Sets
H15		Handle 128mm	12
L2		Plastic Leg L Shape	4
M6		Drawer Metal Slide 350mm	7 Sets
N1		Allen Key	1
N3		Nail	65 (+3)
R2		Single Plastic Cap	38
Y		Crosshead Cover	12

Each pack have contain different type hardware and size of screw for easy assemble.
Please refer to page 2, check a screw size.

CAUTION

MATERIAL USE LAMINATED PARTICLE BOARD, TO CLEAN USE SOFT, DRY CLOTH. DO NOT USE DETERGENT OR CHEMICAL AVOID CONTACT WITH WATER AND DIRECT SUNLIGHT. TO BE ASSEMBLED ON A SOFT, DRY, CLEAN SMOOTH SURFACE.



USE OF POWER TOOLS TO ASSEMBLE THIS PRODUCT WILL INVALIDATE ANY CLAIM AND MAY DAMAGE THIS PRODUCT MAKING IT UNSAFE.

