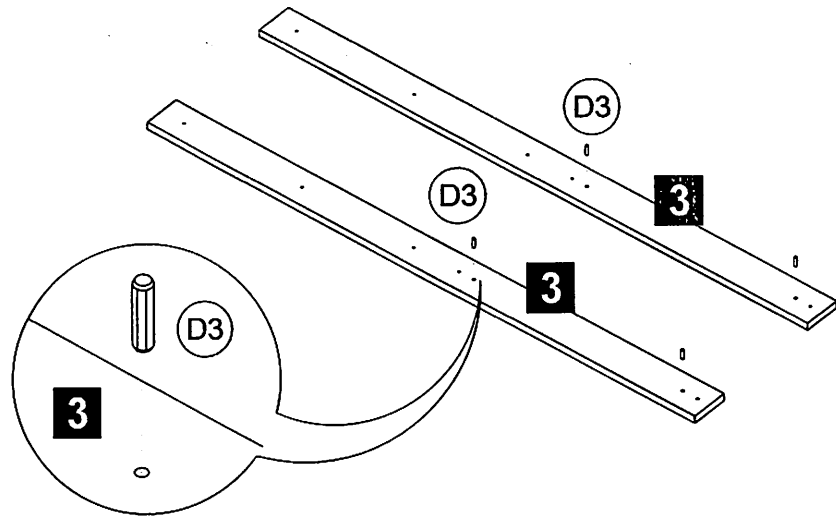
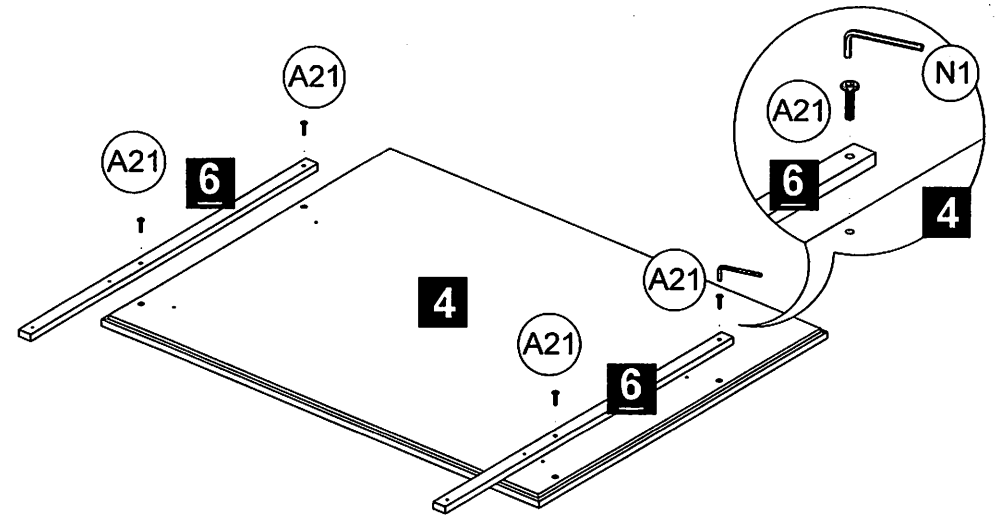


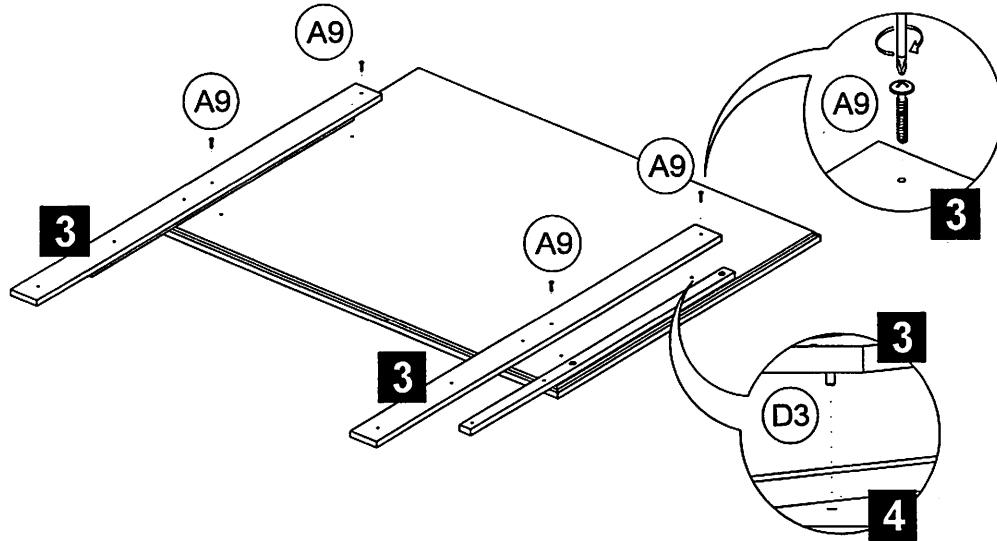
STEP 1 Insert the Wood Dowel 5 x 20mm (D3) at marking hole on panel no. 3.



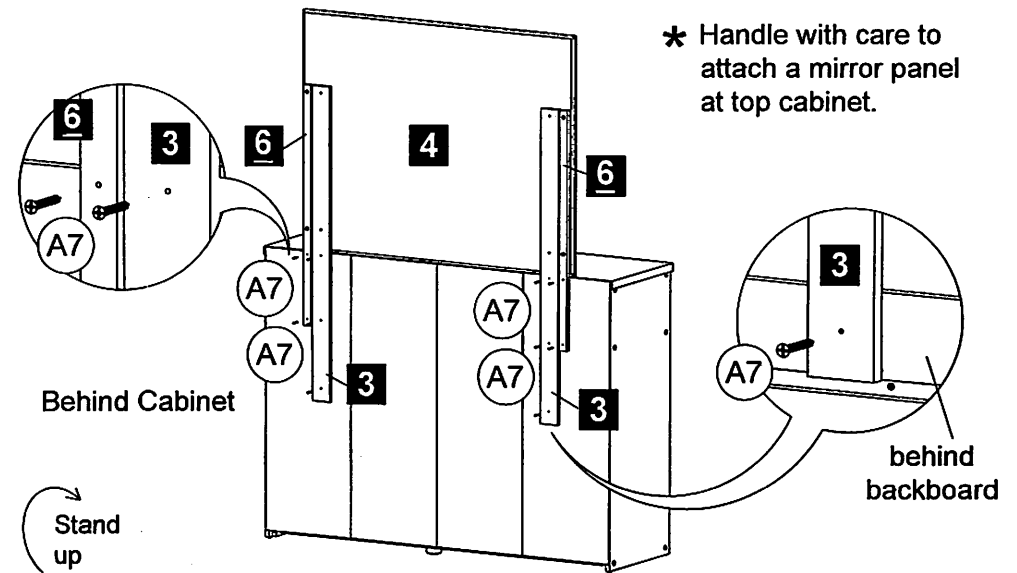
STEP 2 DO NOT REMOVE mirror panel no. 5 from carton to avoid the scratch on mirror surface when screw the 2pcs of panel no. 6 at marking holes on the back panel.



STEP 3 DO NOT REMOVE mirror panel no. 5 from carton to avoid the scratch on mirror surface when screw the 2pcs of panel no. 3 at marking holes on the back panel.



STEP 4 Use Screw m4 x 30mm (A7) to secure the mirror panel.

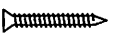



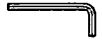


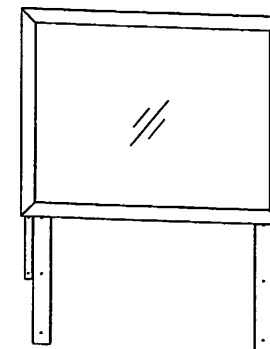
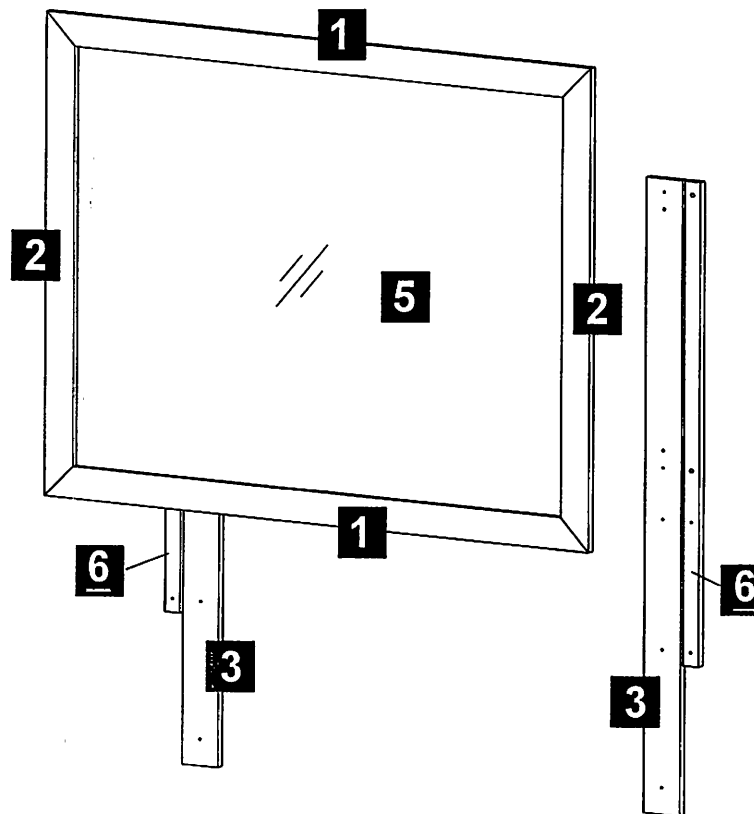
Before you begin, please follow assembly instruction carefully, then follow step by step.

Read instruction carefully. See furniture Parts List and Hardware List for guidance. Be sure you have all parts before you start assembling. Place and assemble furniture on a clean flat soft surface, such as carpet, rug or carton to prevent being scratched.

Reminder :

Please ensure that all surface and edges with colours / laminations are facing forward / outward.

HARDWARE LIST			QTY
A7		Screw m4 x 30mm	10
A9		Button Screw m4 x 24mm	4
A21		Screw JCBC m6 x 30mm	4
D3		Wood Dowel 5 x 20mm	4
N1		Allen Key	1



Each pack have contain different type hardware and size of screw for easy assemble. Please refer to page 2, check a screw size.

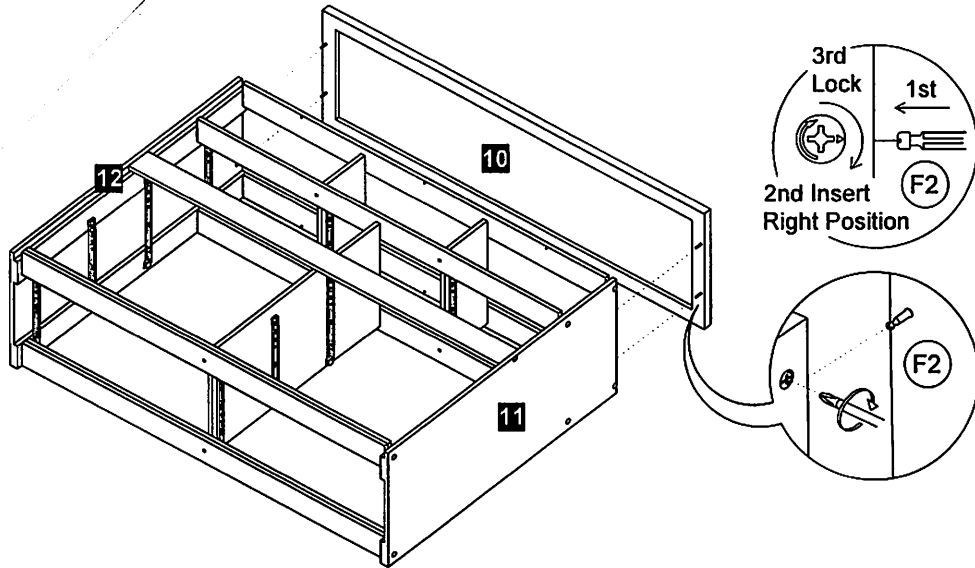
CAUTION

MATERIAL USE LAMINATED PARTICLE BOARD, TO CLEAN USE SOFT, DRY CLOTH. DO NOT USE DETERGENT OR CHEMICAL. AVOID CONTACT WITH WATER AND DIRECT SUNLIGHT. TO BE ASSEMBLED ON A SOFT, DRY, CLEAN SMOOTH SURFACE.

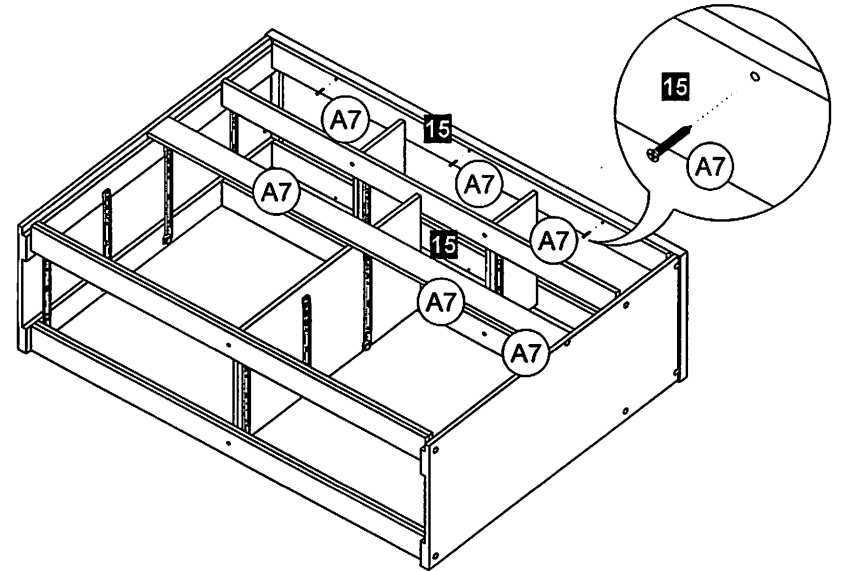


USE OF POWER TOOLS TO ASSEMBLE THIS PRODUCT WILL INVALIDATE ANY CLAIM AND MAY DAMAGE THIS PRODUCT MAKING IT UNSAFE.

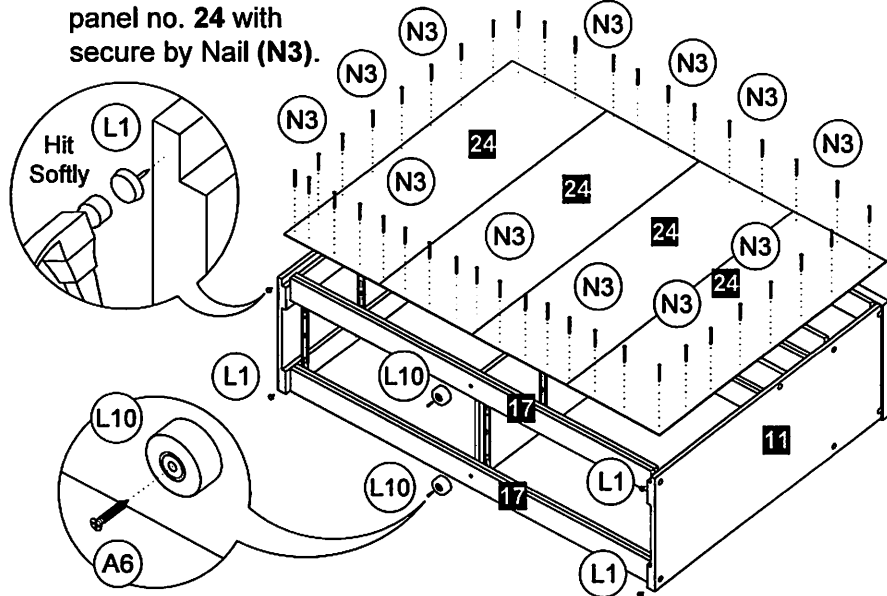
STEP 17 Assemble panel no. 10 by using Mini Fix 15mm (F2).



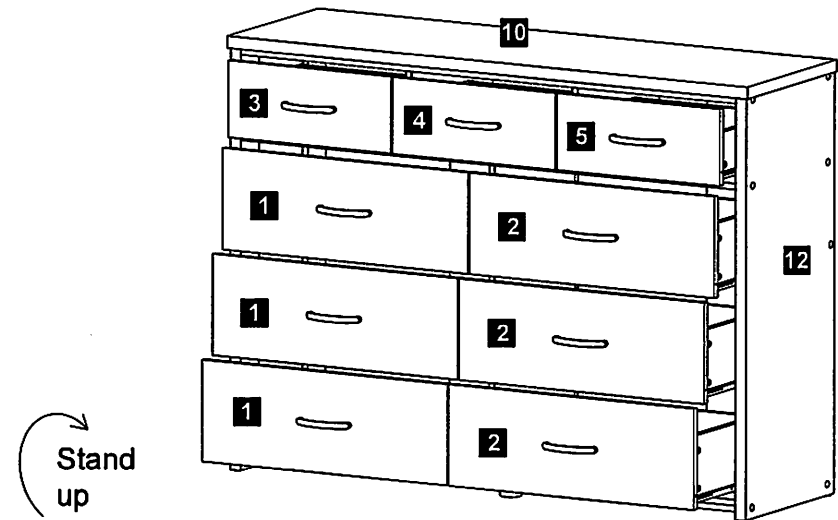
STEP 18 Secure the panel no. 15 by Screw m4 x 30mm (A7).



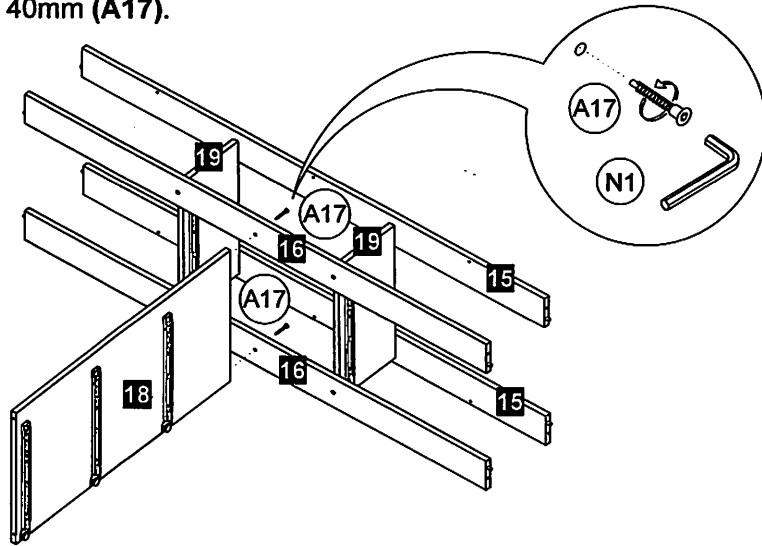
STEP 19 Screw the Pvc Round Leg 25mm (L10) at bottom of panel no. 17 & nail the Leg Pin (L1) at bottom panel no. 11 & 12. Assemble the back panel no. 24 with secure by Nail (N3).



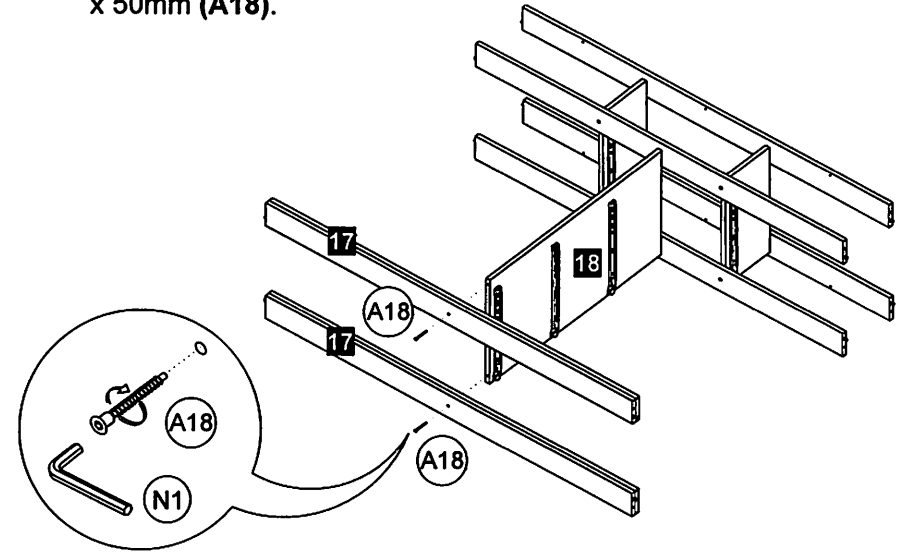
STEP 20 Insert those drawers to the unit.



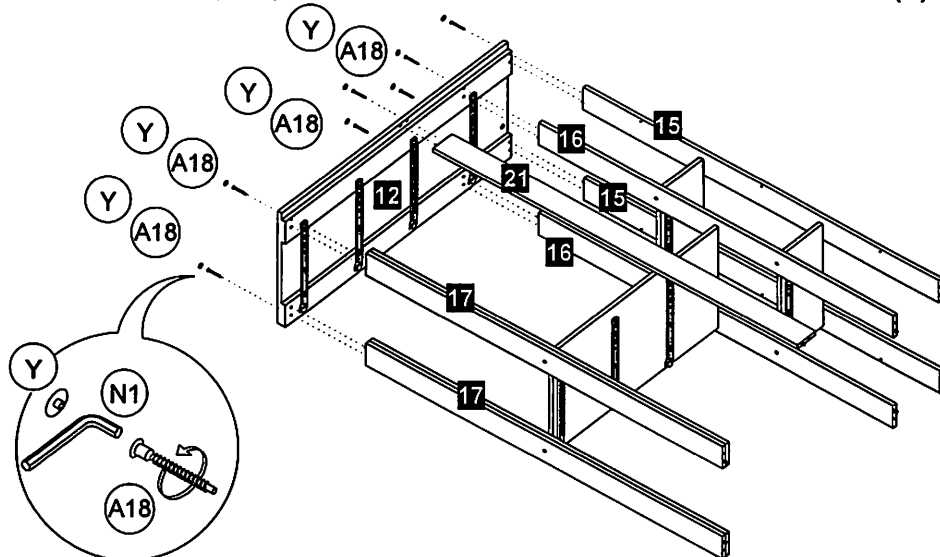
STEP 13 Assemble panel no. 18 to the unit by using Crosshead Screw 6.3 x 40mm (A17). Use Allen Key (N1) to tighten the Crosshead Screw 6.3 x 40mm (A17).



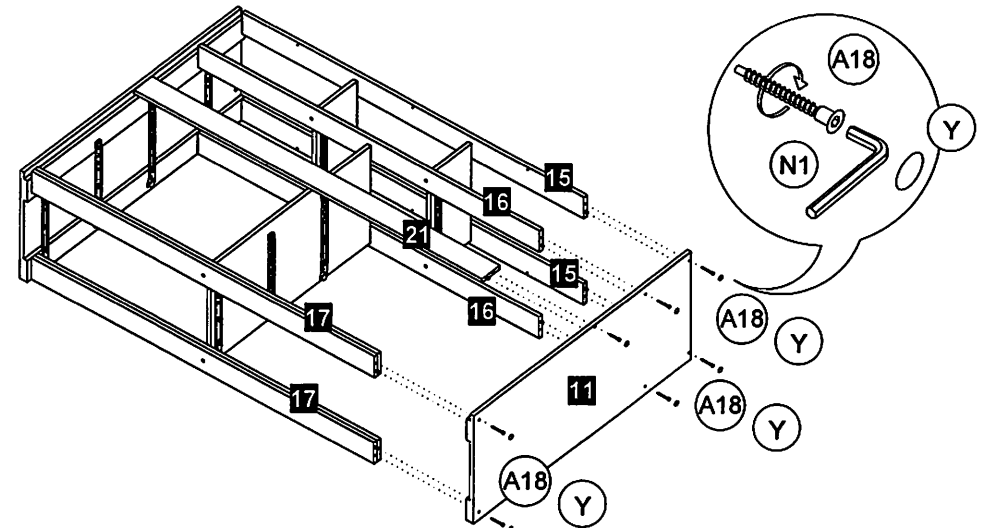
STEP 14 Assemble panel no. 17 to the unit by using Crosshead Screw 6.3 x 50mm (A18). Use Allen Key (N1) to tighten the Crosshead Screw 6.3 x 50mm (A18).



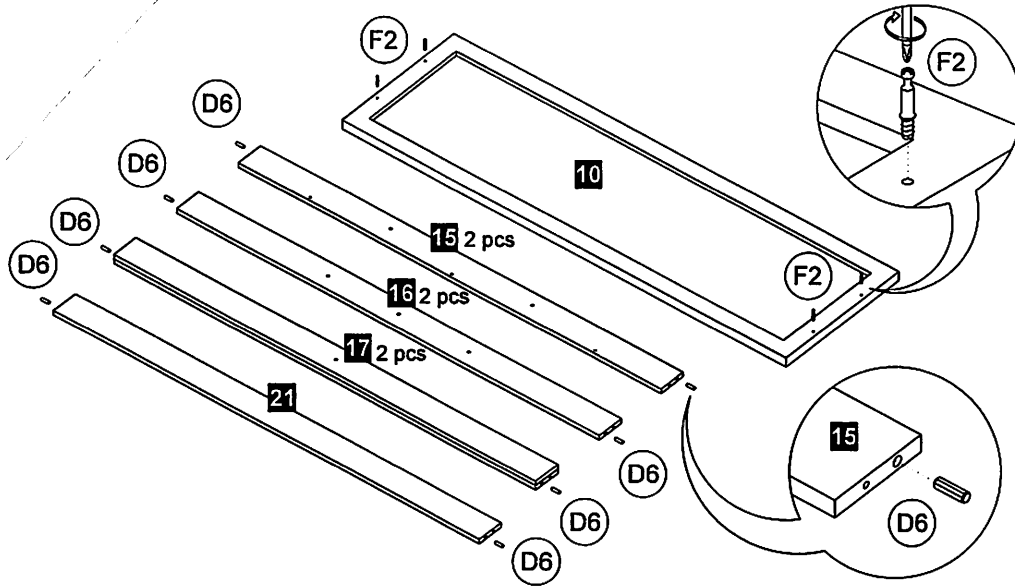
STEP 15 Assemble panel no. 12 & 21 by using Crosshead Screw 6.3 x 50mm (A18). Use Allen Key (N1) to tighten the Crosshead Screw 6.3 x 50mm (A18) & button the screw head with Crosshead Screw (Y).



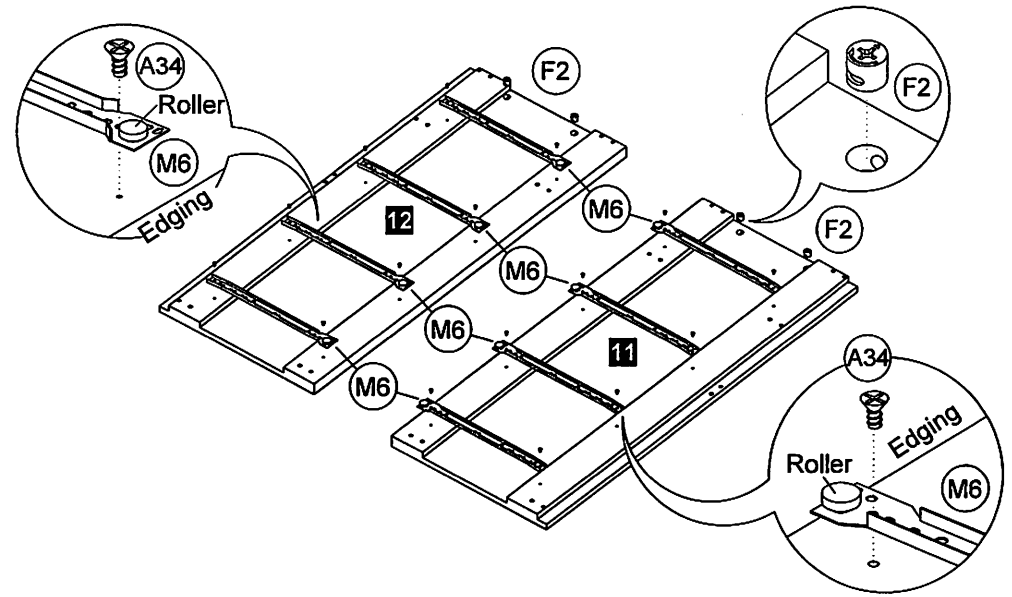
STEP 16 Assemble panel no. 11 by using Crosshead Screw 6.3 x 50mm (A18). Use Allen Key (N1) to tighten the Crosshead Screw 6.3 x 50mm (A18) & button the screw head with Crosshead Screw (Y).



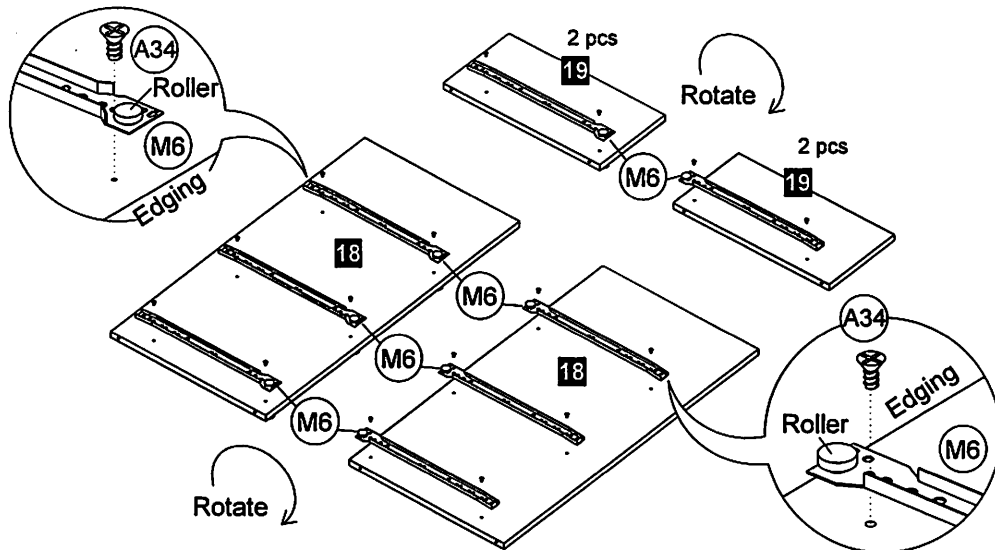
STEP 9 Screw the Mini Fix Bolt (F2) at marking hole panel no. 10 . Then insert the Wood Dowel 8 x 25mm (D6) at panel no. 15, 16, 17 & 21.



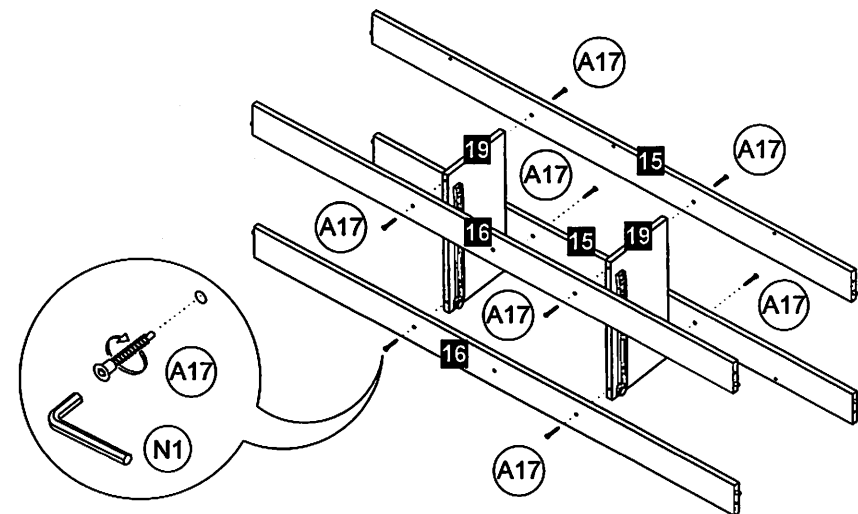
STEP 10 Insert the Mini Fix Cam (F2) & use Euro Screw (A34) to assemble the Drawer Metal Slide 350mm (M6) at marking hole panel no. 11 & 12.



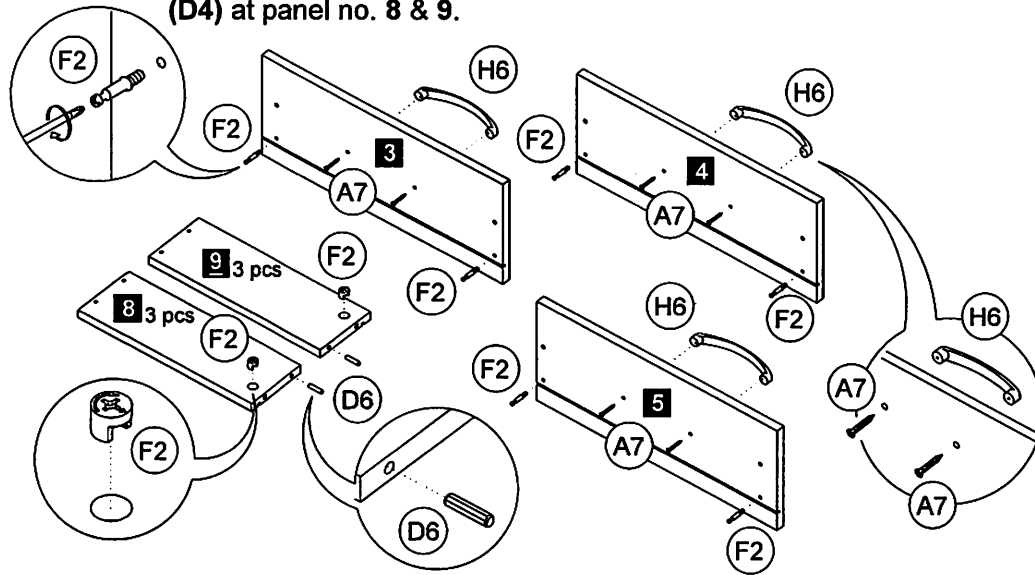
STEP 11 Use Euro Screw (A34) to assemble the Drawer Metal Slide 350mm (M6) at marking hole panel no. 18 & 19.



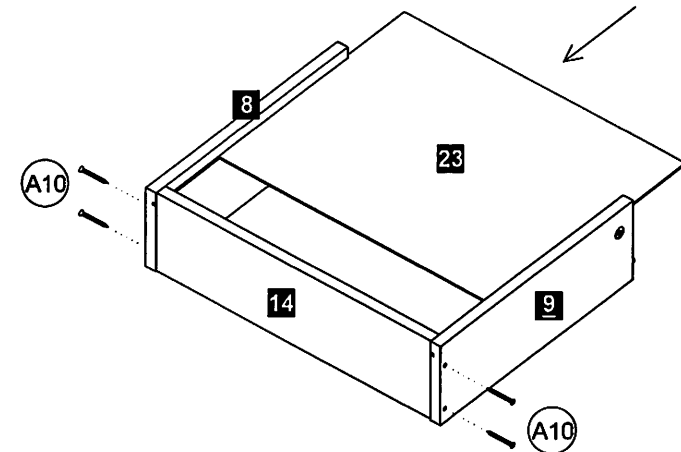
STEP 12 Assemble those panel by using Crosshead Screw 6.3 x 40mm (A17). Use Allen Key (N1) to tighten the Crosshead Screw 6.3 x 40mm (A17).



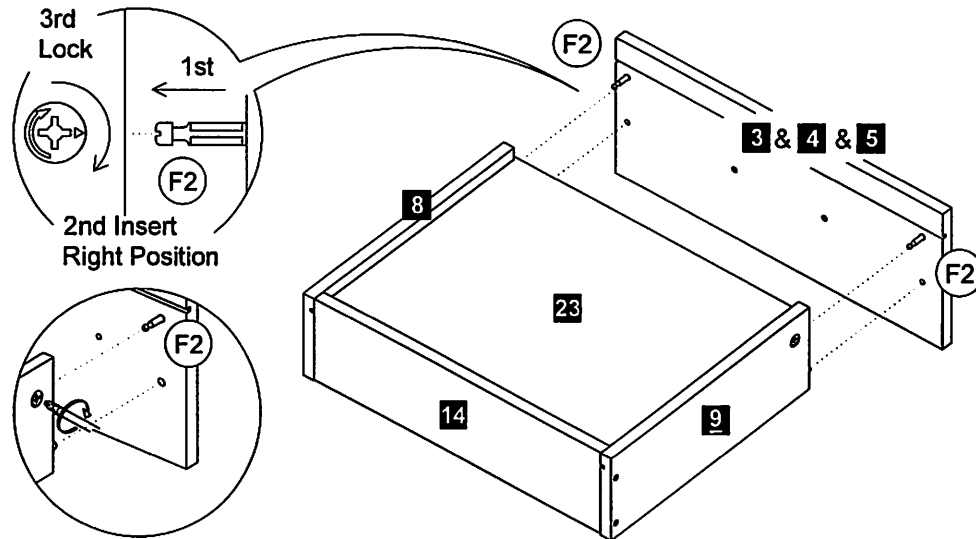
STEP 5 Assemble the Handle (H6) & screw the Mini Fix Bolt (F2) at panel no. 3, 4 & 5. Insert the Mini Fix Cam (F2) & Wood Dowel 6 x 25mm (D4) at panel no. 8 & 9.



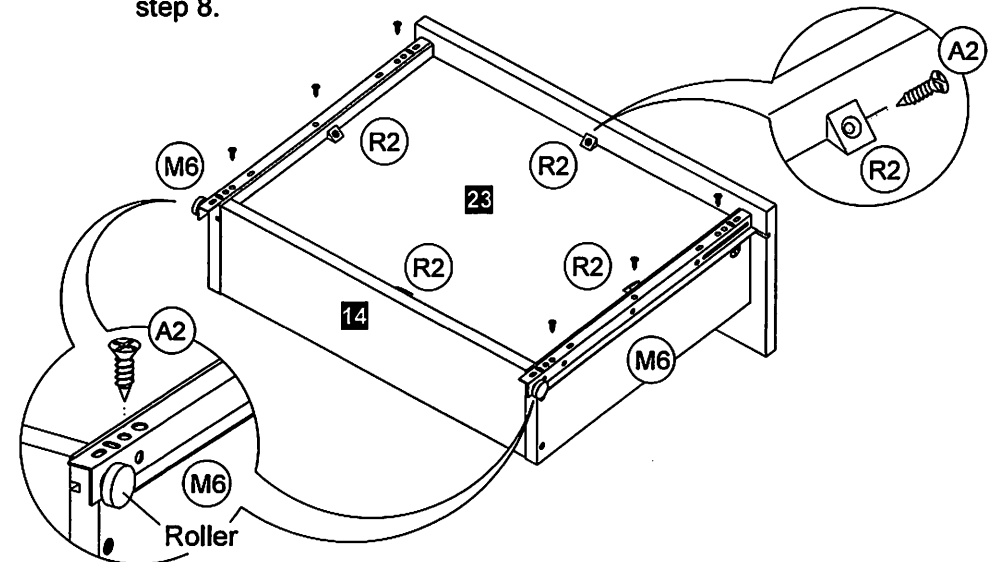
STEP 6 Assemble 3 sets of drawer in repeated at step 6.



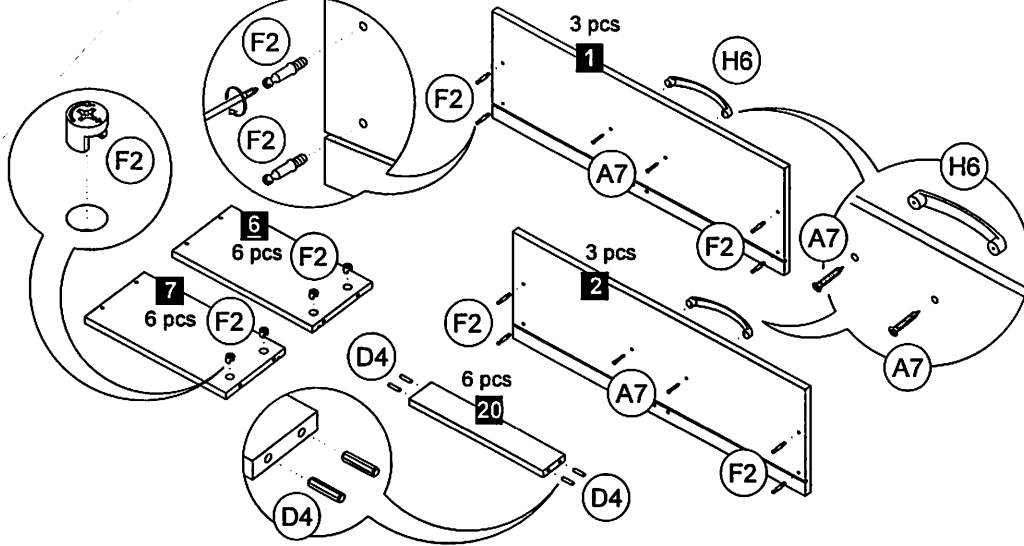
STEP 7 Assemble 3 sets drawer head panel by using Mini Fix 15mm (F2) & Wood Dowel 6 x 25mm (D4).



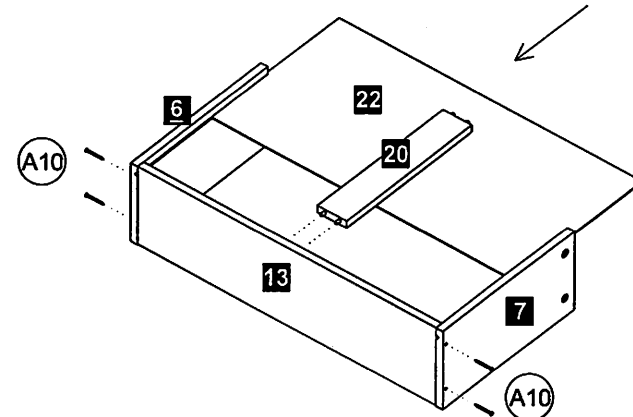
STEP 8 Use Screw (A2) to assemble the Drawer Metal Slide 350mm (M6) & Single Plastic Cap (R2). Assemble 3 sets of drawer in repeated at step 8.



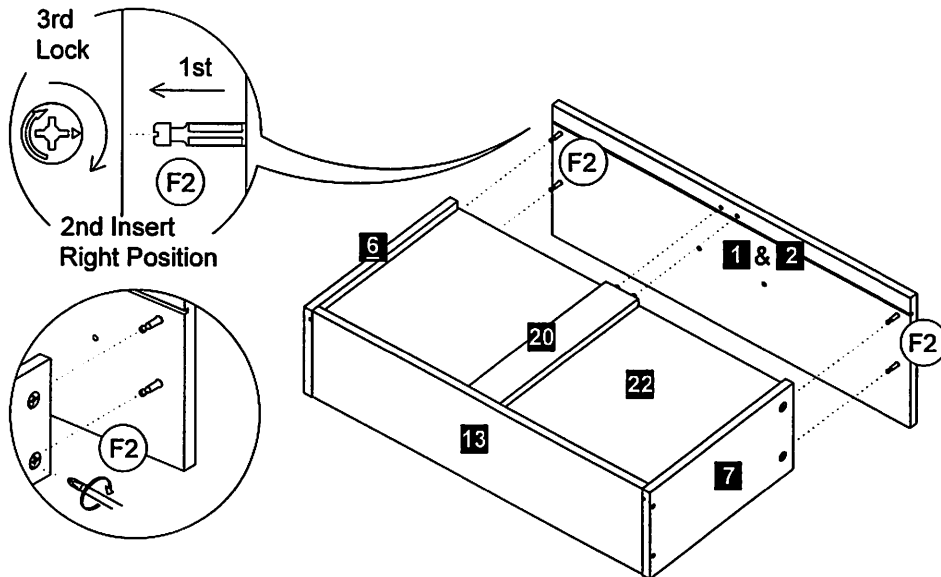
STEP 1 Assemble the Handle (H6) & screw the Mini Fix Bolt (F2) at panel no. 1 & 2. Insert the Mini Fix Cam (F2) at panel no. 6 & 7. Insert the Wood Dowel 6 x 25mm (D4) at 6 pcs panel no. 20.



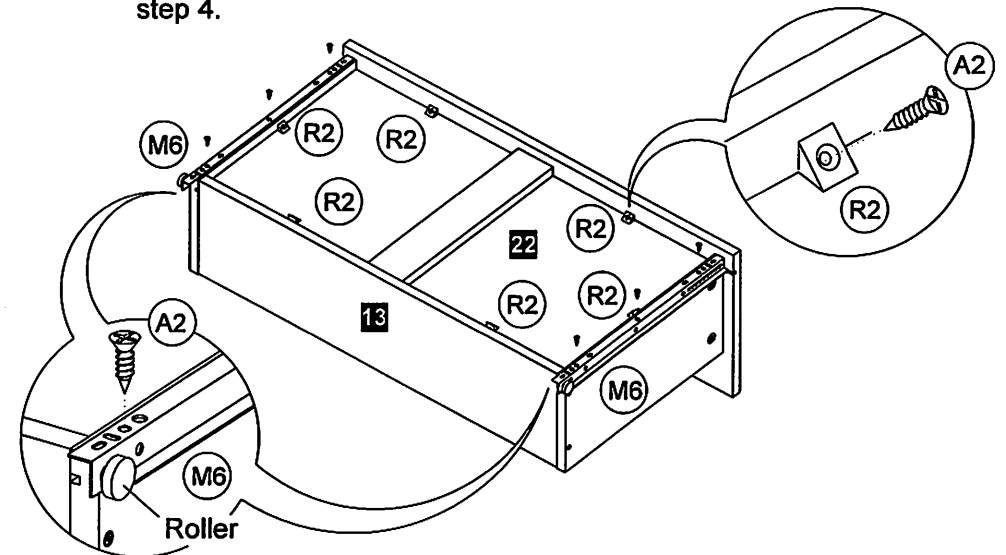
STEP 2 Assemble 6 sets of drawer in repeated at step 2.



STEP 3 Assemble 6 sets drawer head panel by using Mini Fix 15mm (F2).



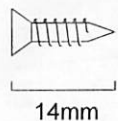
STEP 4 Use Screw (A2) to assemble the Drawer Metal Slide 350mm (M6) & Single Plastic Cap (R2). Assemble 6 sets of drawer in repeated at step 4.



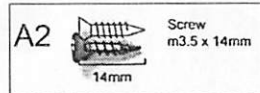
Reference Screw Size.

Place your screw on top to identify the size

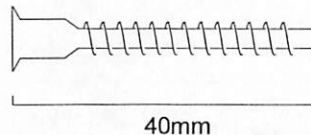
A2



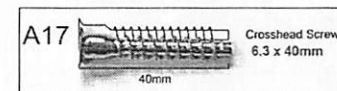
Screw
m3.5 x 14mm



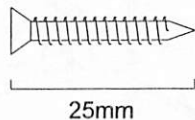
A17



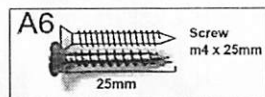
Crosshead Screw
6.3 x 40mm



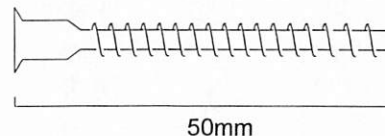
A6



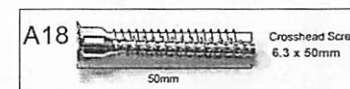
Screw
m4 x 25mm



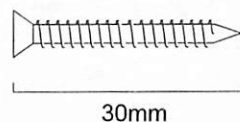
A18



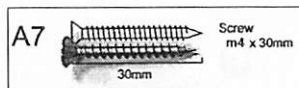
Crosshead Screw
6.3 x 50mm



A7



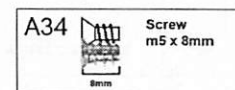
Screw
m4 x 30mm



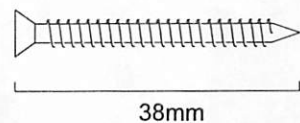
A34



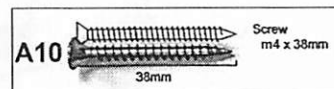
Euro Screw
m5 x 8mm



A10



Screw
m4 x 38mm


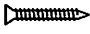
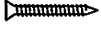

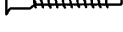
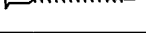

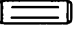
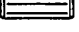


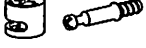






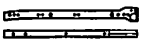

Before you begin, please follow assembly instruction carefully, then follow step by step.

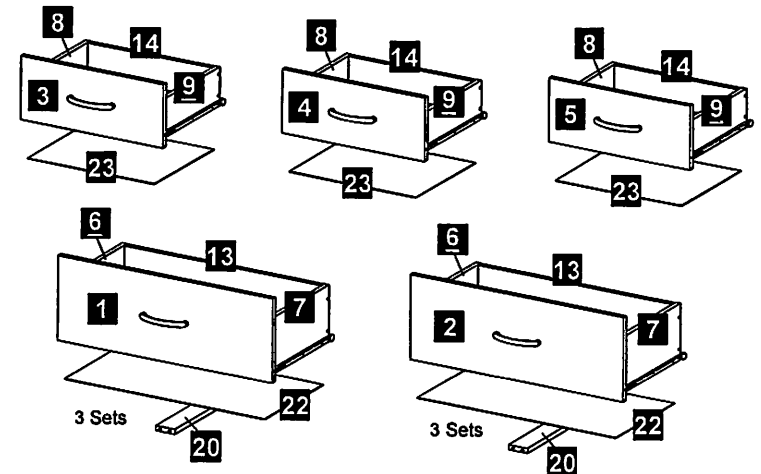
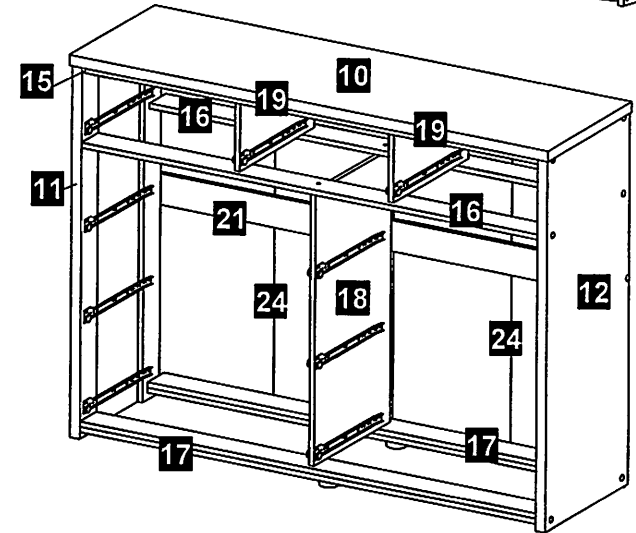
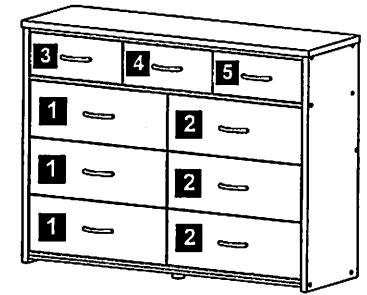
Read instruction carefully. See furniture Parts List and Hardware List for guidance. Be sure you have all parts before you start assembling. Place and assemble furniture on a clean flat soft surface, such as carpet, rug or carton to prevent being scratched.

Reminder :

Please ensure that all surface and edges with colours / laminations are facing forward / outward.

HARDWARE LIST			QTY
A2		Screw m3.5 x 14mm	102
A6		Screw m4 x 25mm	2
A7		Screw m4 x 30mm	24
A10		Screw m4 x 38mm	36
A17		Crosshead Screw 6.3 x 40mm	12
A18		Crosshead Screw 6.3 x 50mm	14
A34		Euro Screw m5 x 8mm	36
D4		Wood Dowel 6 x 25mm	30
D6		Wood Dowel 8 x 25mm	14

F2		Mini Fix 15mm	34 Sets
H6		Handle 128mm (Silver)	9
L1		Leg Pin	4
L10		PVC Round Leg 25mm	2
N1		Allen Key	1
N3		Nail	40 (+-3)
R2		Single Plastic Cap	48
M6		Drawer Meta! Slide 350mm	9 Sets
Y		Crosshead Cover	14



Each pack have contain different type hardware and size of screw for easy assemble. Please refer to page 2, check a screw size.

CAUTION

MATERIAL USE LAMINATED PARTICLE BOARD, TO CLEAN USE SOFT, DRY CLOTH. DO NOT USE DETERGENT OR CHEMICAL AVOID CONTACT WITH WATER AND DIRECT SUNLIGHT. TO BE ASSEMBLED ON A SOFT, DRY, CLEAN SMOOTH SURFACE.



USE OF POWER TOOLS TO ASSEMBLE THIS PRODUCT WILL INVALIDATE ANY CLAIM AND MAY DAMAGE THIS PRODUCT MAKING IT UNSAFE.