

**MODEL : MONICA BEDROOM SET - NIGHT STAND**

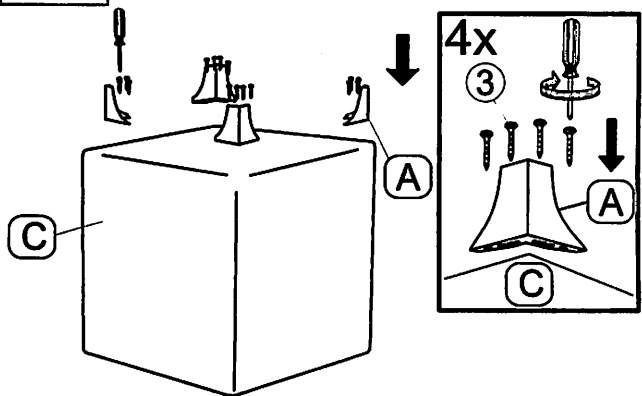
**ASSEMBLY INSTRUCTION**

**Important note :** - Place all wooden part on a clean and smooth surface such as rug or carpet to avoid the part from being scratch.  
- Please follow the assembly instruction step by step.

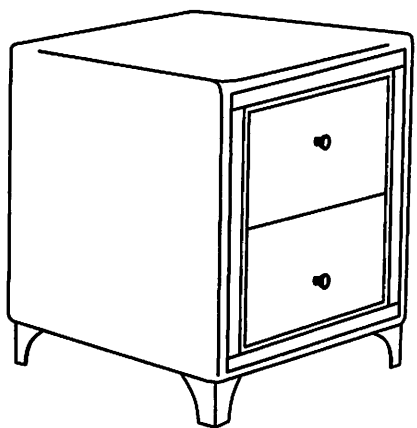
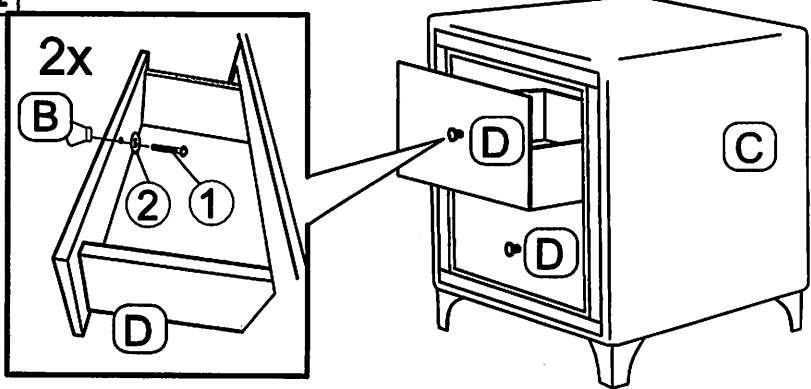
Hardware	QTY
1. Handle Screw 35mm	2pcs
2. Flat Washer M4	2pcs
3. CSK M4 x 18mm	16pcs

Part List	QTY
A. Leg	4pcs
B. Diamond Handle	2pcs
C. Box	1pc
D. Drawer	2pcs

**STEP 1**



**STEP 2**



**COMPLETED  
ASSEMBLY**