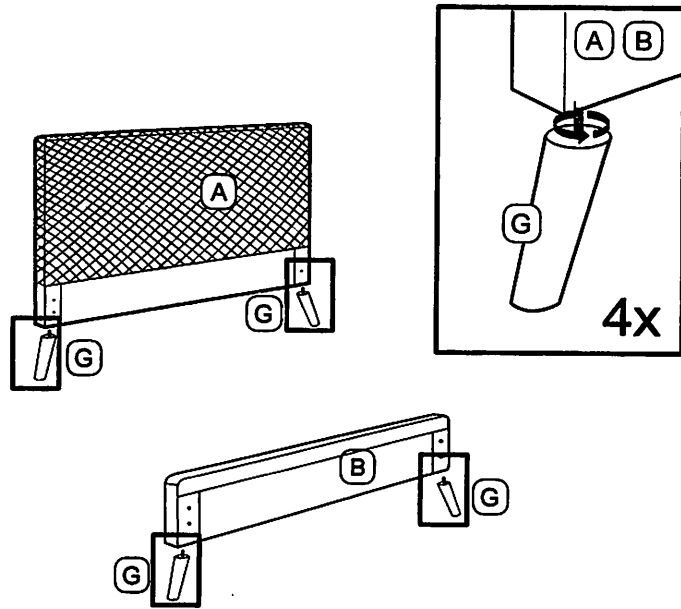


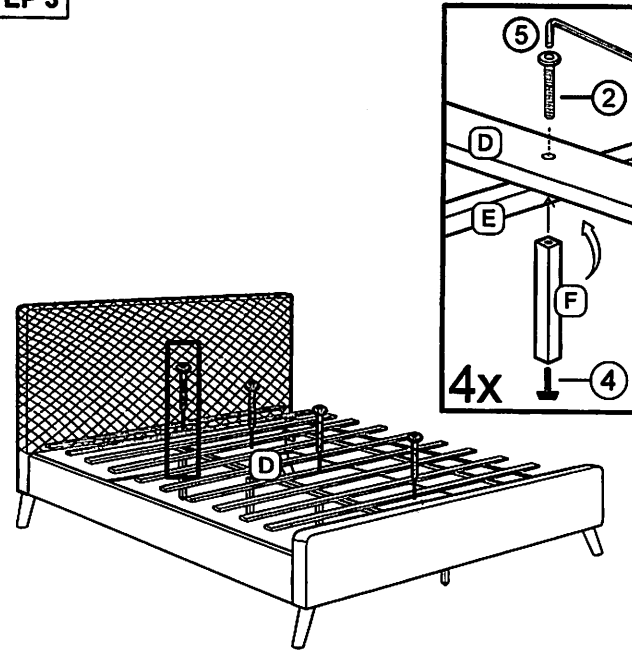
MODEL: INFI 2924 QUEEN BED

ASSEMBLY INSTRUCTIONS

STEP 1



STEP 3



NO	PART LIST	QTY
A	Headboard	1 pc
B	Footboard	1 pc
C	Side Rail	2 pcs
D	Bed Slat	10 pcs
E	Center Support Rail	1 pc
F	Center Support Leg	4 pcs
G	Bed Leg	4 pcs

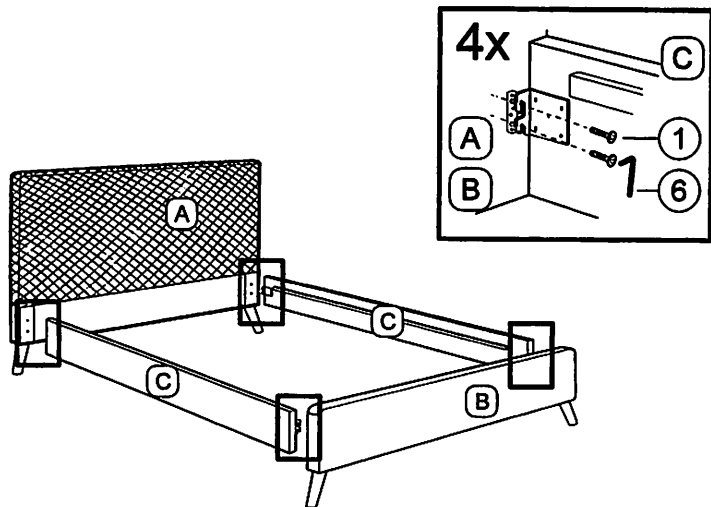
NO	HARDWARE LIST	QTY
1	JCBB M8 x 20 mm	8 pcs
2	JCBC M6 x 60 mm	4 pcs
3	CSK M4 x 32mm	20 pcs
4	Adjuster M6	4 pcs
5	Allen Key M4	1 pc
6	Allen Key M5	1 pc

Read this instruction carefully. Remove all wrapping material, staples and straps from the carton. See hardware and furniture part list for guidance. Be sure you have all wooden furniture parts on a clean and flat soft surface, such as a carpet or rug, to prevent from being scratched.

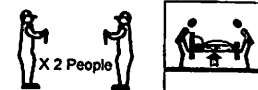
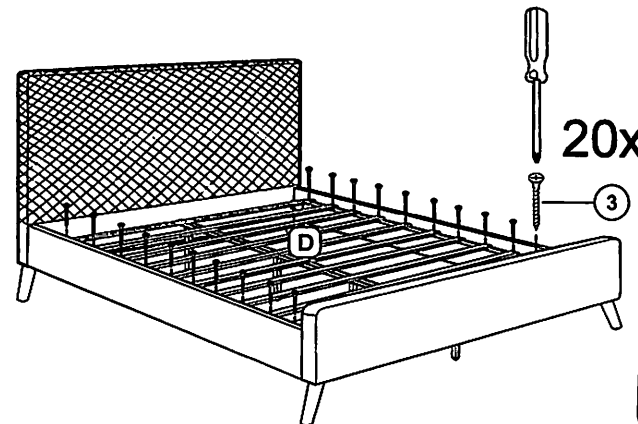
CAUTION :

1. Do not FULLY - TIGHTEN the nut or screw until all is ready to assemble.
2. Do not OVER - TIGHTEN the nut or screw to avoid causing damages to the thread.
3. Keep all hardware part out reach of children.

STEP 2



STEP 4



COMPLETED ASSEMBLE

