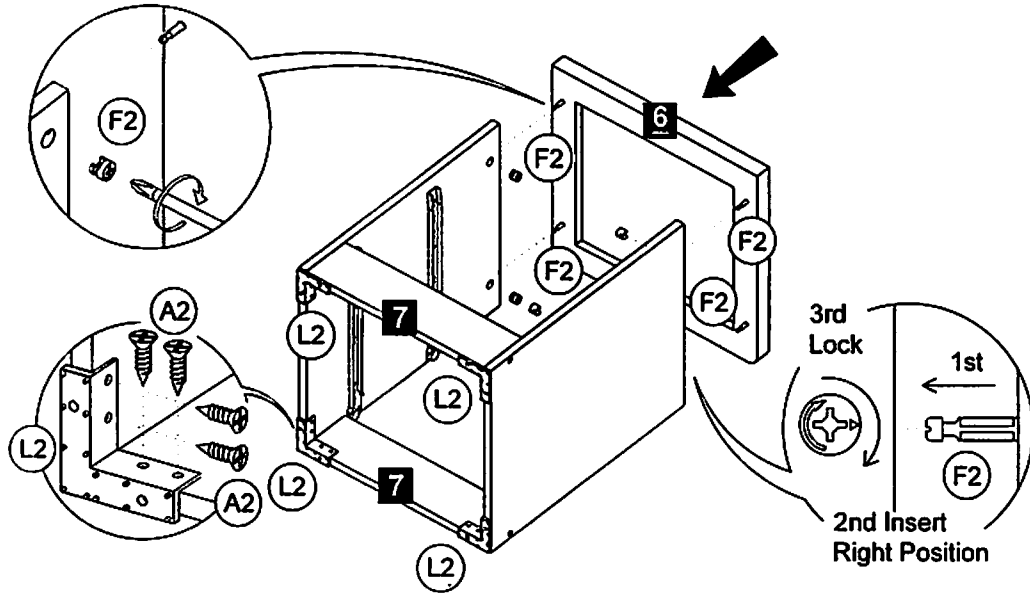
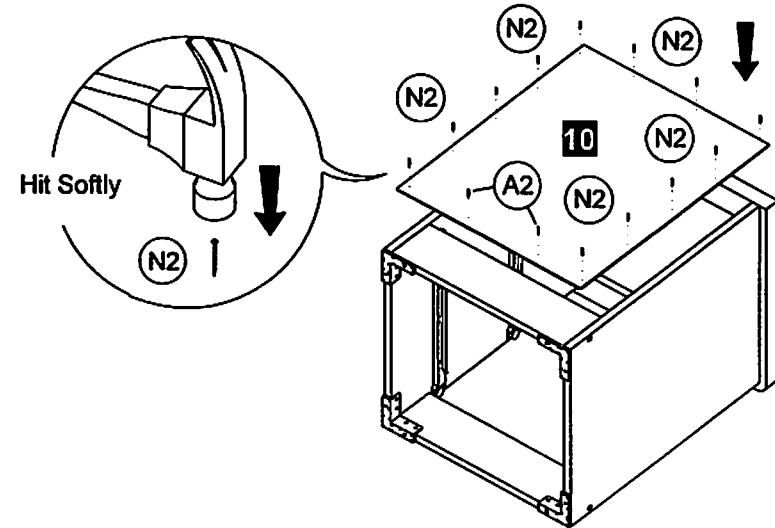


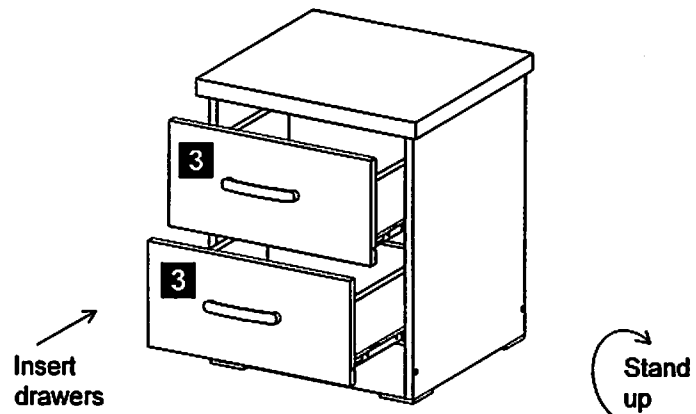
STEP 9 Assemble panel no. 6 with using Mini Fix 15mm (F2). Then screw a Plastic Leg L Shape (L2) at between panel no. 7 & side panel.



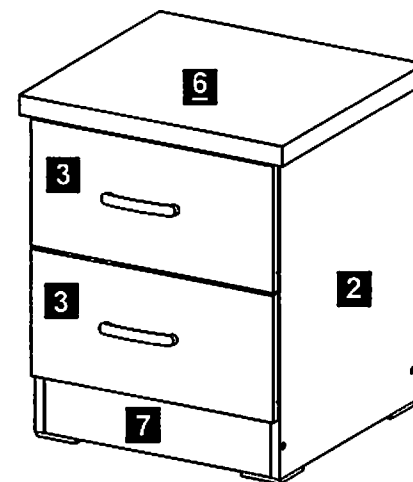
STEP 10 Assemble the back panel no. 10 with secure by Nail (N2) & bottom secure by Screw (A2).



STEP 11 Insert those 2 drawers.

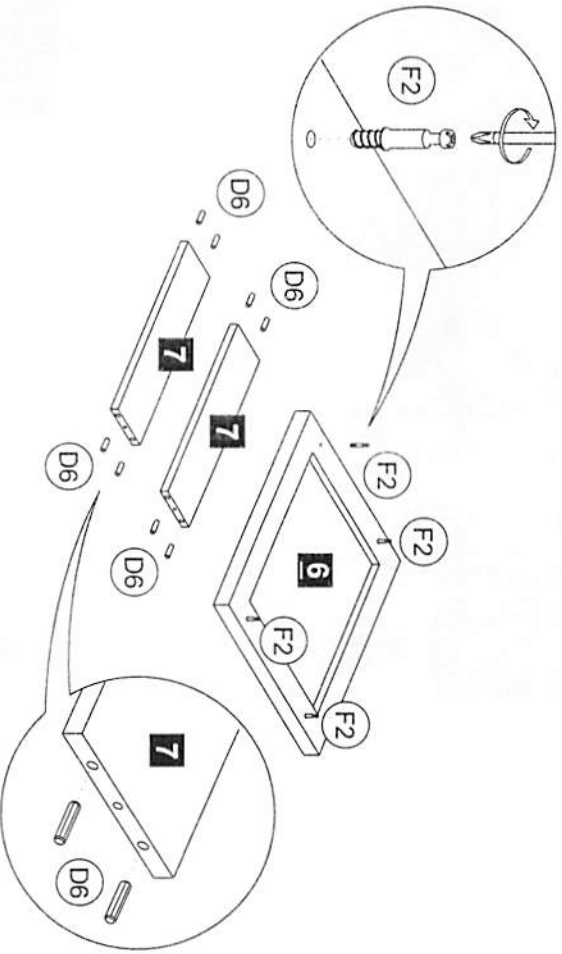


COMPLETE



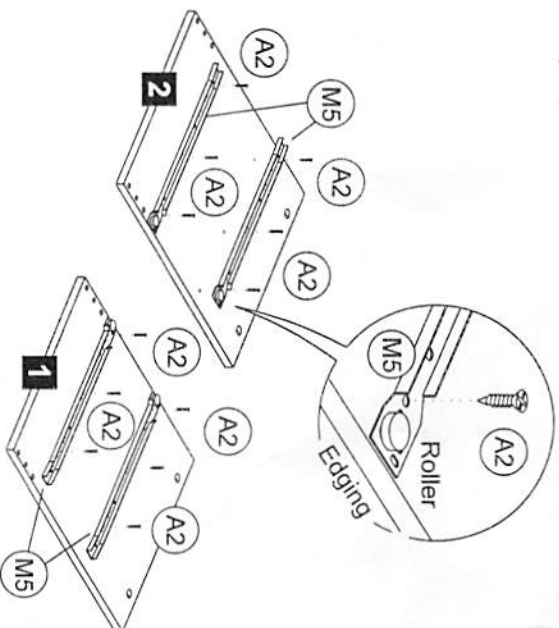
STEP 5

Fix the Mini Fix 15mm (F2) at panel no. 6 & insert the Wood Dowel 8 x 25mm (D6) at both side panel no. 7.



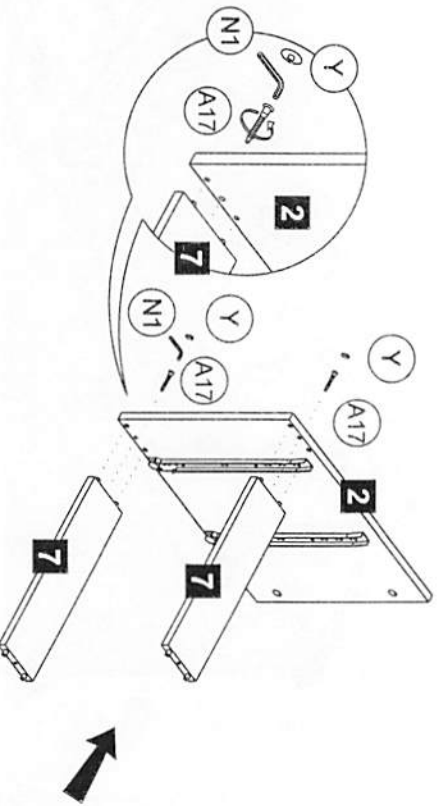
STEP 6

Assemble Drawer Metal Slide 350mm (M5) at panel no. 1 & 2 by using Screw (A2).



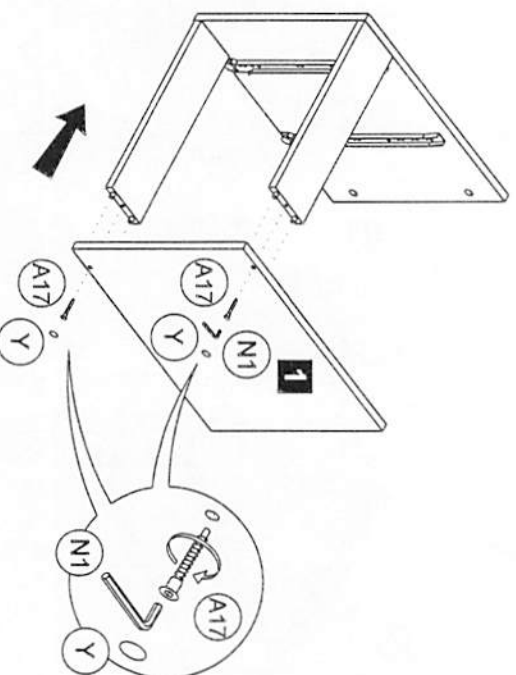
STEP 7

Use Allen Key (N1) to tighten the Crosshead Screw m6.3 x 40mm (A17) & button a screw head with Crosshead Cover (Y).



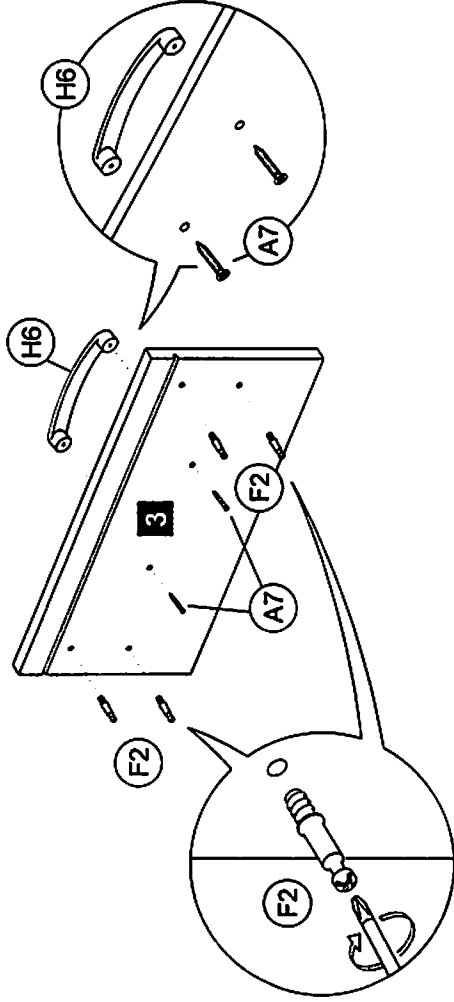
STEP 8

Use Allen Key (N1) to tighten the Crosshead Screw m6.3 x 40mm (A17) & button a screw head with Crosshead Cover (Y).



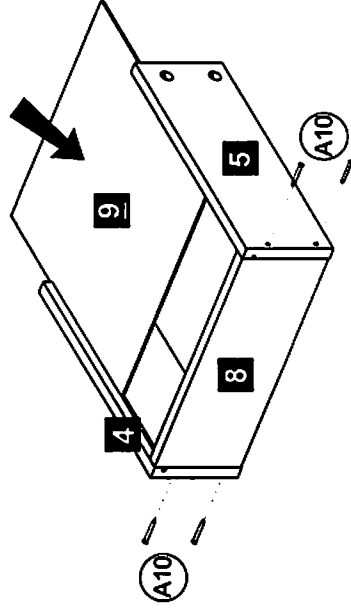
STEP 1

Fix the Mini Fix 15mm (F2) at panel no. 3 & use Screw (A7) to assemble a Handle (H6).



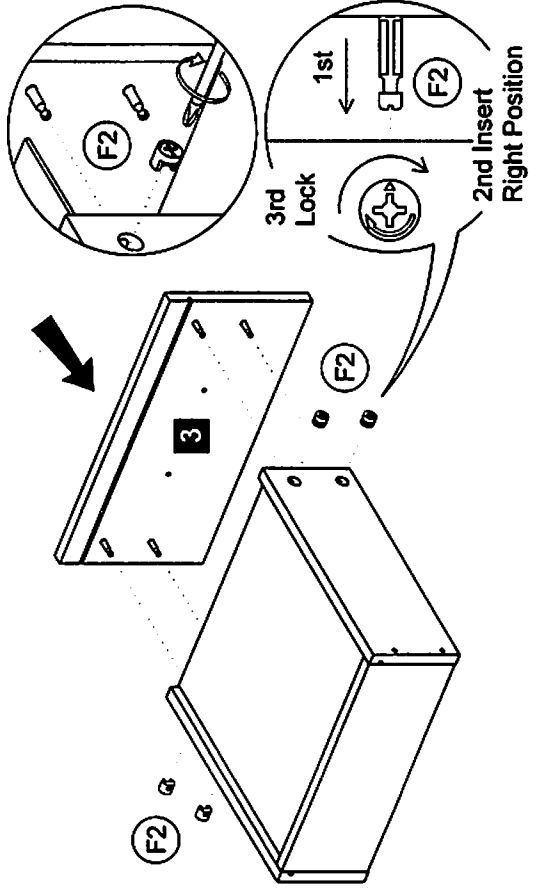
STEP 2

Assemble 2 sets of drawer in repeated at step 2.



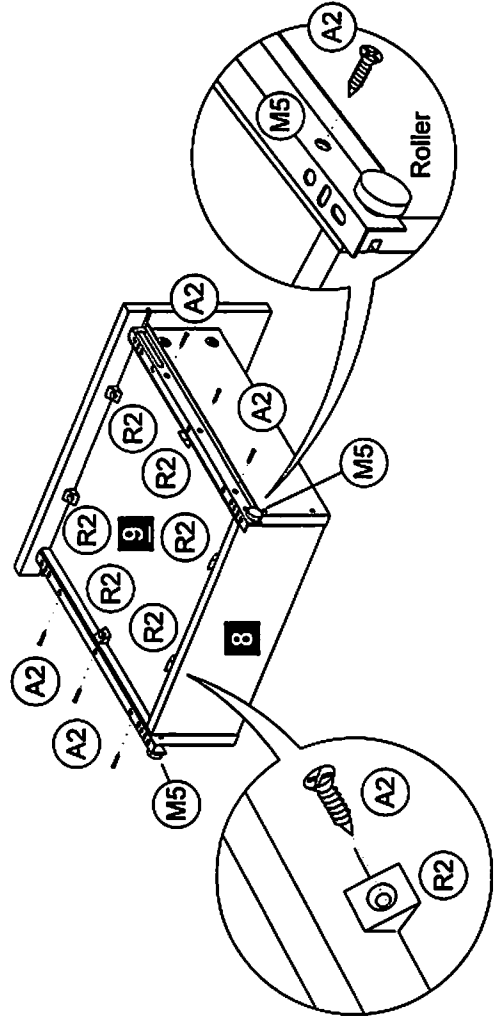
STEP 3

Assemble 2 sets drawer head panel with using Mini Fix 15mm (F2).



STEP 4

Use Screw (A2) to assemble the Drawer Metal Slide 350mm (M5) & Single Plastic Cap (R2). Assemble 2 sets of drawer in repeated at step 4.



Reference Screw Size.

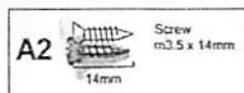
Place your screw on top to identify the size.

A2

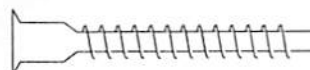


14mm

Screw
m3.5 x 14mm

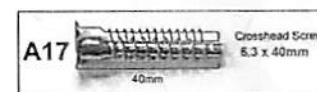


A17



40mm

Crosshead Screw
6.3 x 40mm

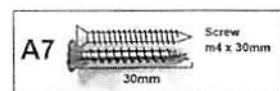


A7



30mm

Screw
m4 x 30mm

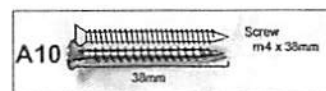


A10



38mm

Screw
m4 x 38mm




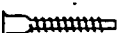
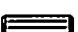










Before you begin, please follow assembly instruction carefully, then follow step by step.

Read instruction carefully. See furniture Parts List and Hardware List for guidance. Be sure you have all parts before you start assembling. Place and assemble furniture on a clean flat soft surface, such as carpet, rug or carton to prevent being scratched.

Reminder :

Please ensure that all surface and edges with colours / laminations are facing forward / outward.

HARDWARE LIST			QTY
A2		Screw m3.5 x 14mm	54
A7		Screw m4 x 30mm	4
A10		Screw m4 x 38mm	8
A17		Crosshead Screw m6.3 x 40mm	4
D6		Wood Dowel 8 x 25mm	8
F2		Mini Fix 15mm	12 sets

H6		Handle 128mm (Silver)	2
L2		Plastic Leg L Shape	4
M5		Drawer Metal Slide 350mm	2 sets
N1		Allen Key	1
N2		Nail	12 (+-3)
R2		Single Plastic Cap	12
Y		Crosshead Cover	4

Each pack have contain different type hardware and size of screw for easy assemble. Please refer to page 2, check a screw size.

CAUTION

MATERIAL USE LAMINATED PARTICLE BOARD, TO CLEAN USE SOFT, DRY CLOTH. DO NOT USE DETERGENT OR CHEMICAL. AVOID CONTACT WITH WATER AND DIRECT SUNLIGHT. TO BE ASSEMBLED ON A SOFT, DRY, CLEAN SMOOTH SURFACE.



USE OF POWER TOOLS TO ASSEMBLE THIS PRODUCT WILL INVALIDATE ANY CLAIM AND MAY DAMAGE THIS PRODUCT MAKING IT UNSAFE.

