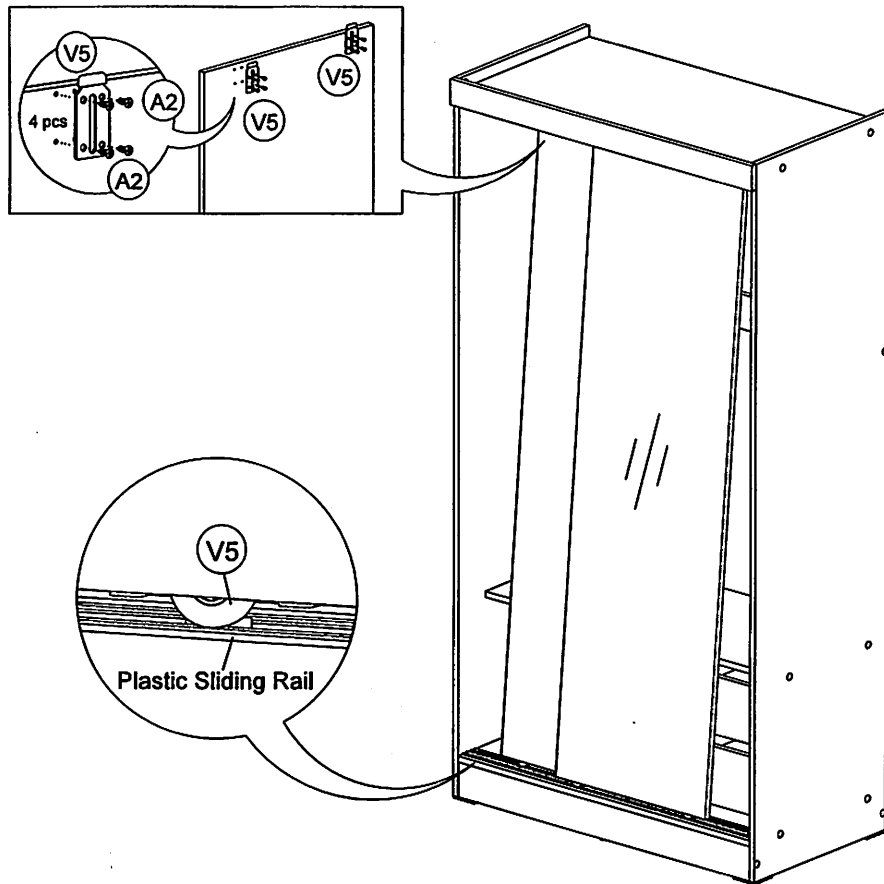
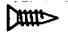



STEP 15



A2		Screw m3.5 x 14mm	16 pcs
V5		Sliding Roller (1door 2sets)	2 sets

THANK YOU

We hope you enjoy your new purchase.

We have personally inspected this product.

In the event that you need any additional help for any reason,

Please do not hesitate to contact use at: 973-473-5068

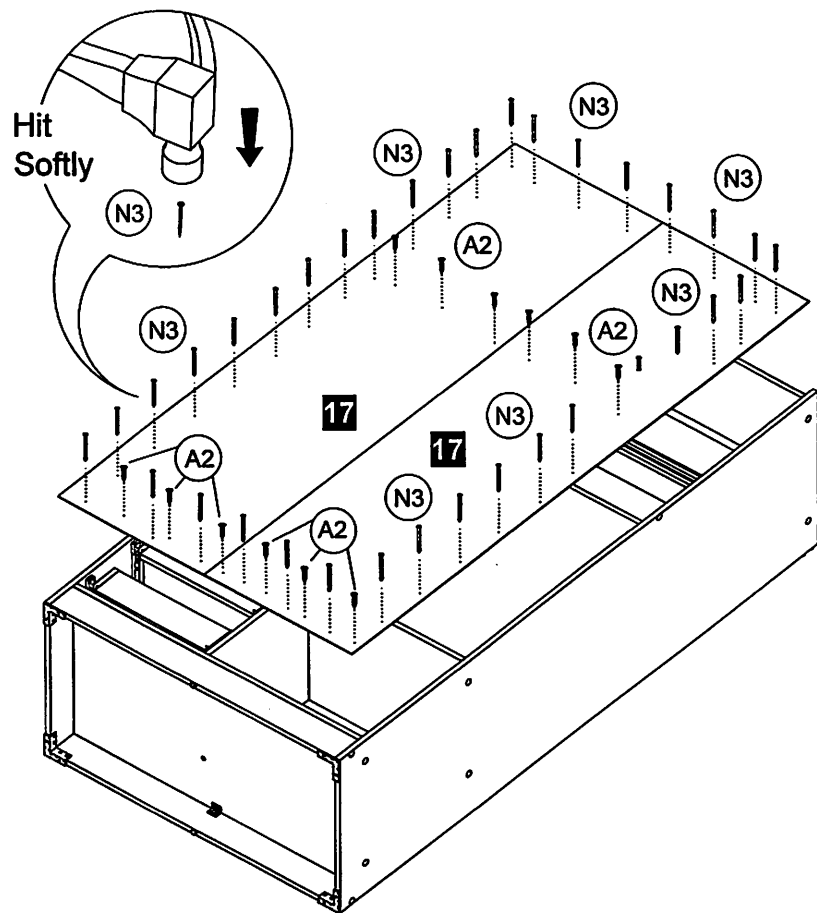
Email maria@better-homeproducts.com

See our website Woodpeckers-furniture.com

Better Home Products
323 Cortland Street
Belleville New Jersey

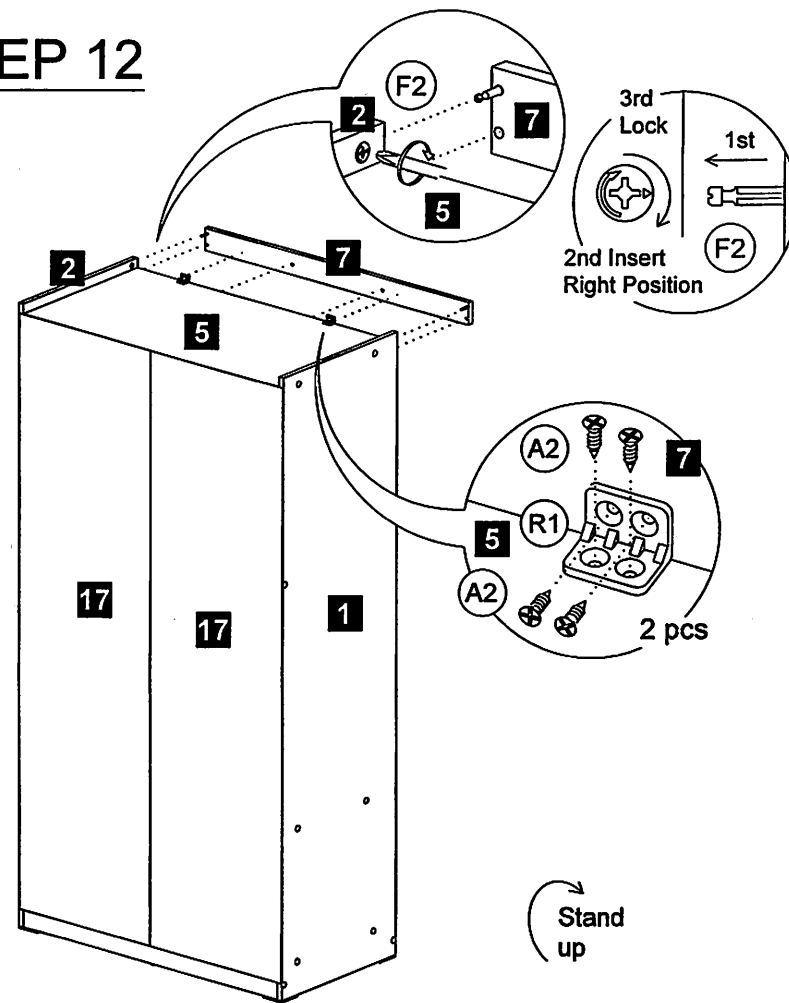
Thank you

STEP 11



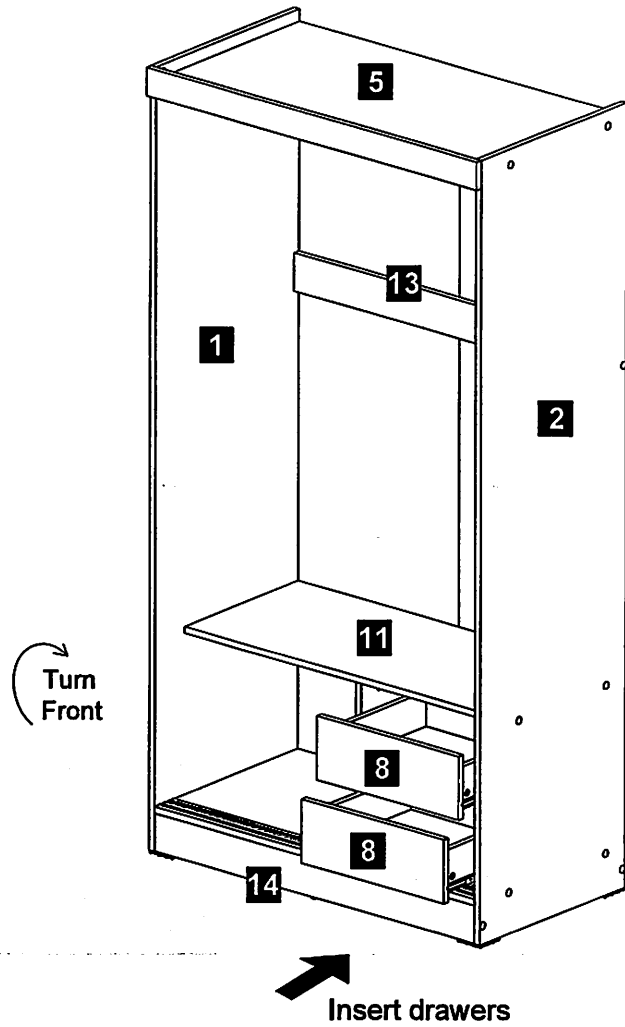
A2		Screw m3.5 x 14mm	12 pcs
N3		Nail	50 (+3) pcs

STEP 12

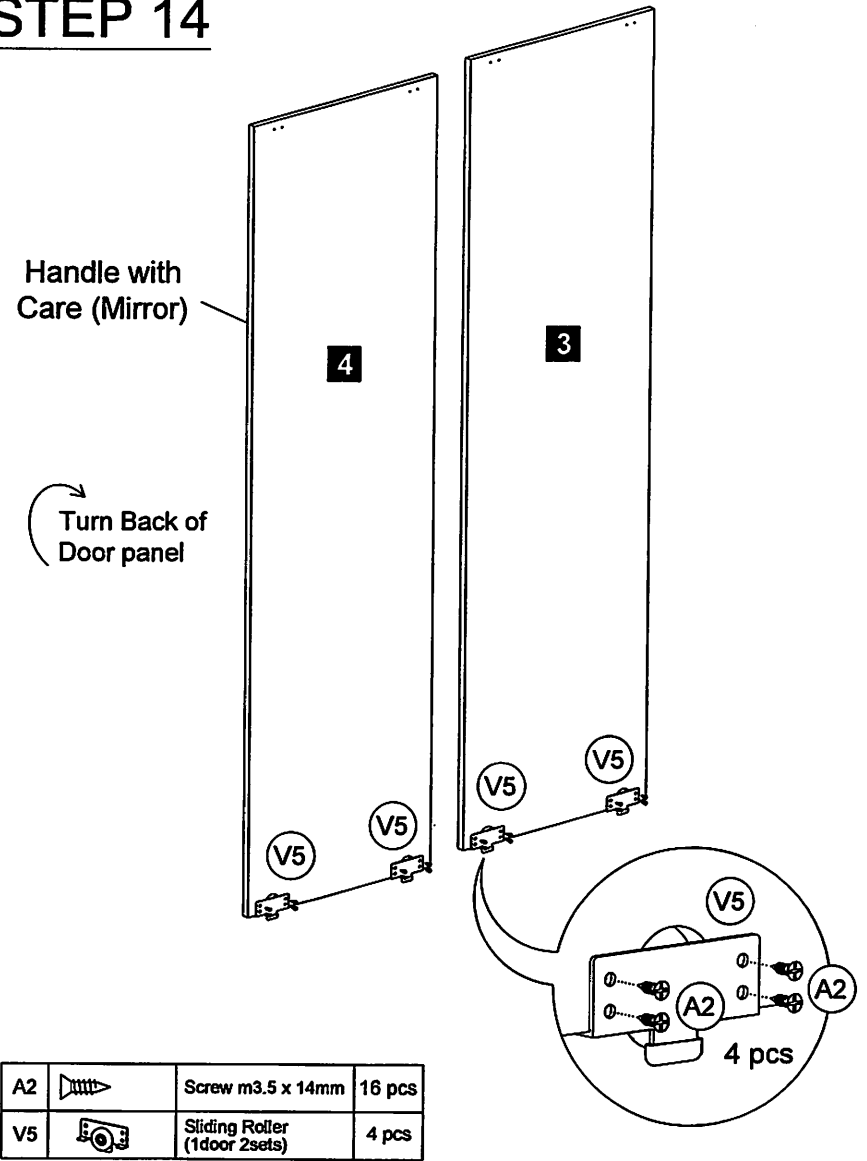


A2		Screw m3.5 x 14mm	8 pcs
F2		Mini Fix 15mm	2 sets
R1		L Bracket	2 pcs

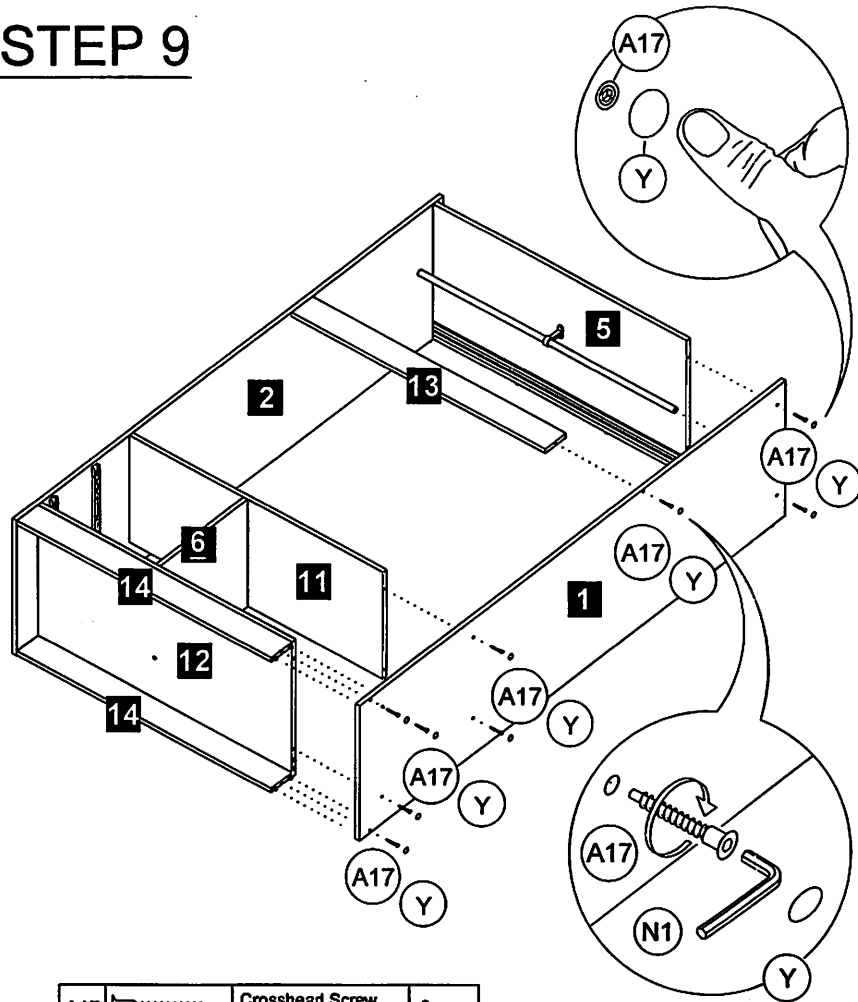
STEP 13

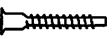




STEP 14

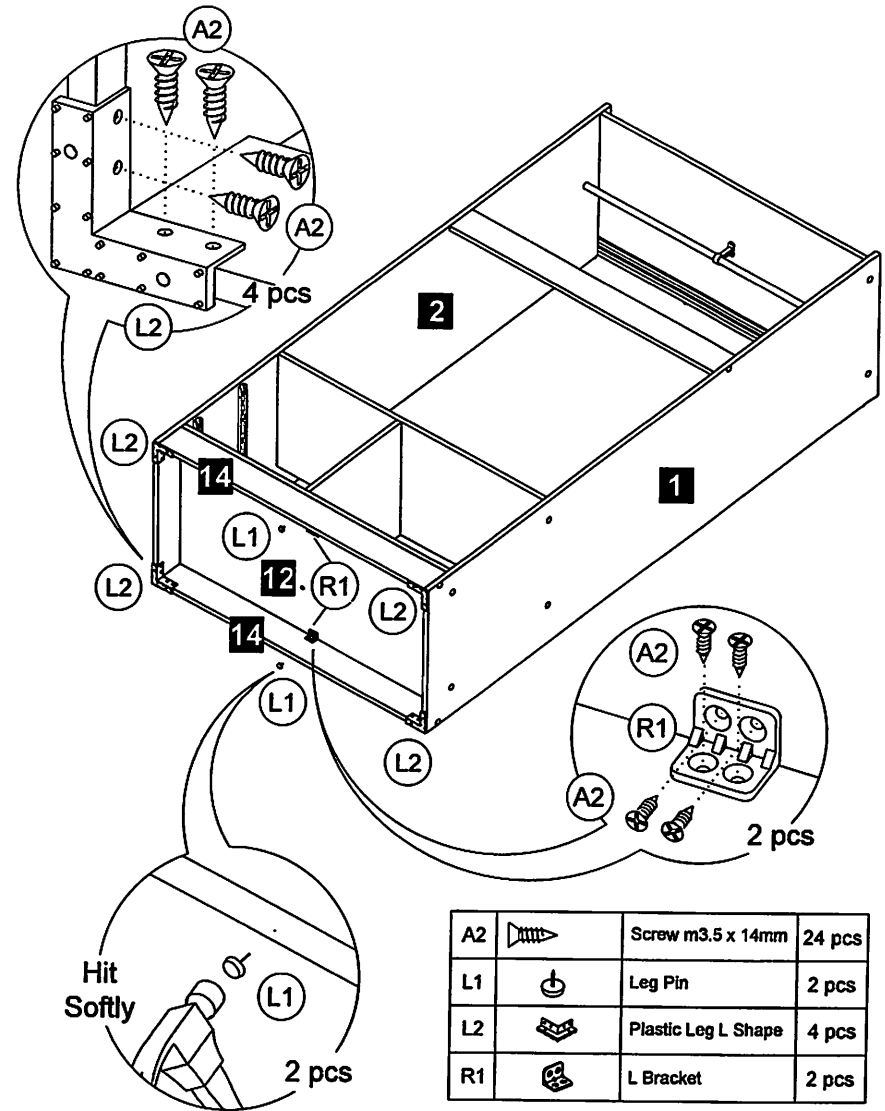






STEP 9



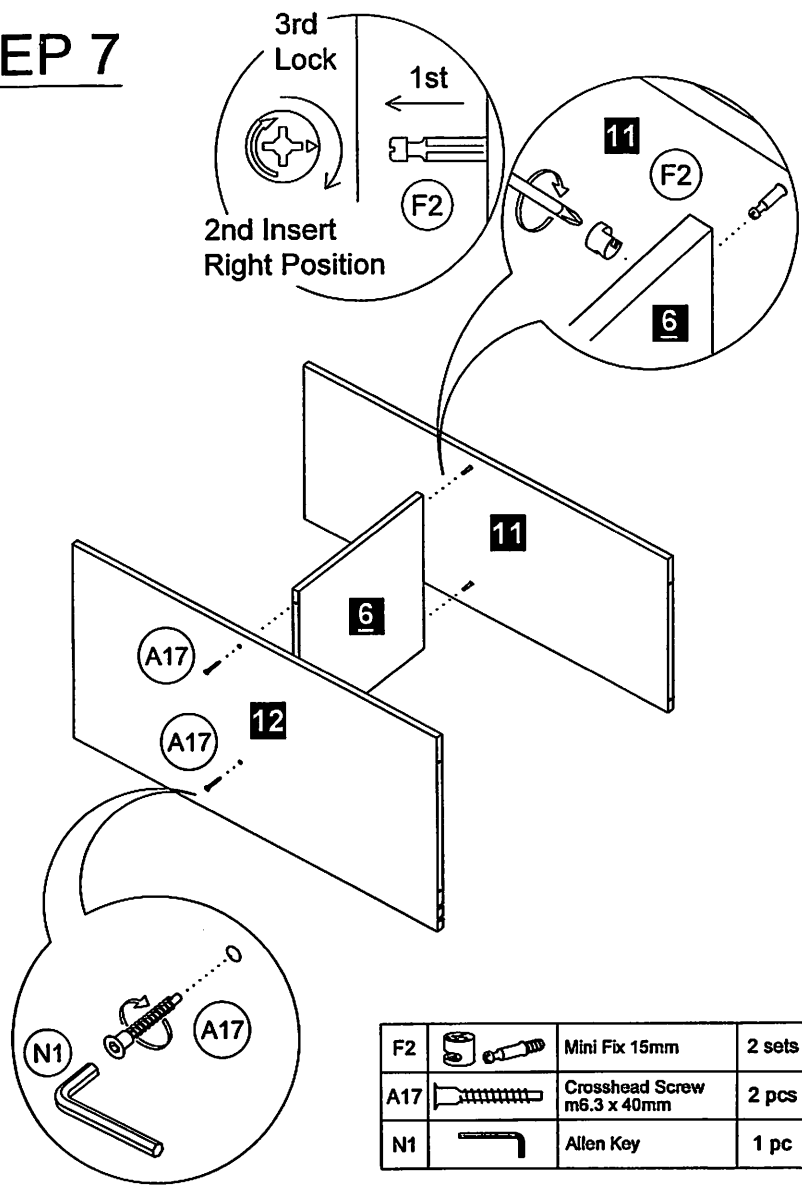
A17		Crosshead Screw m6.3 x 40mm	9 pcs
N1		Allen Key	1 pc
Y		Crosshead Cover	9 pcs

STEP 10



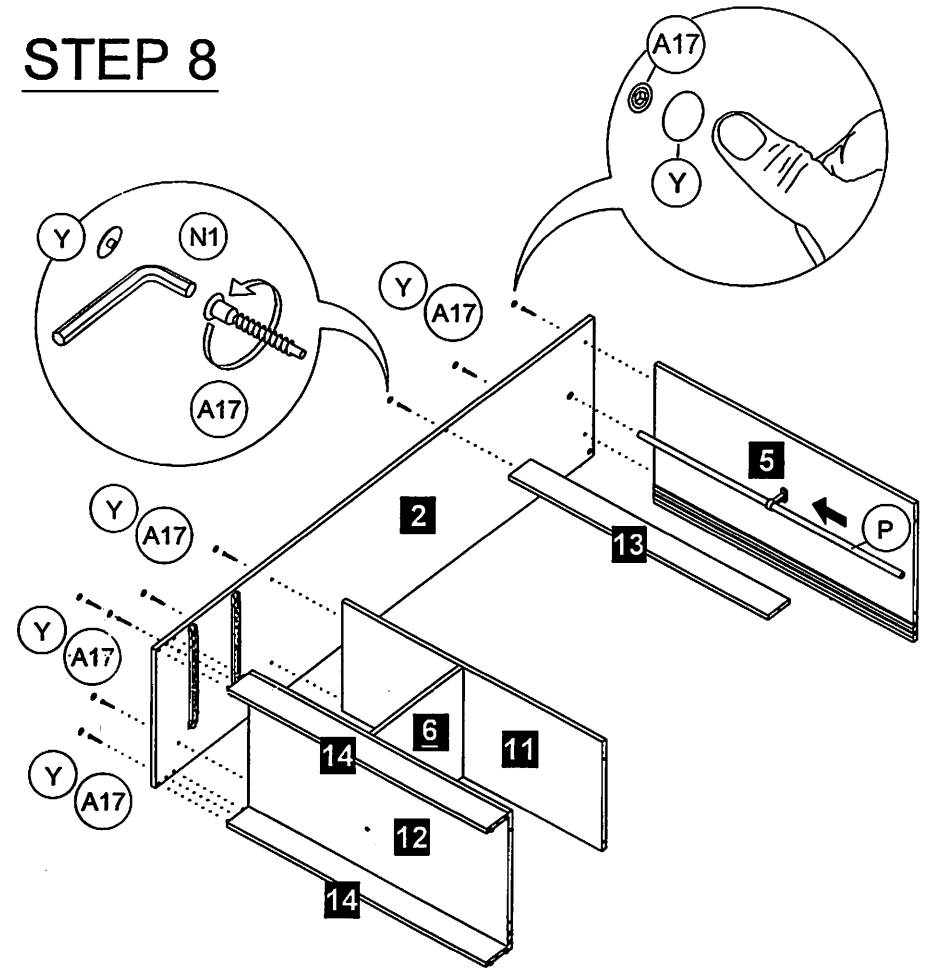
A2		Screw m3.5 x 14mm	24 pcs
L1		Leg Pin	2 pcs
L2		Plastic Leg L Shape	4 pcs
R1		L Bracket	2 pcs

STEP 7



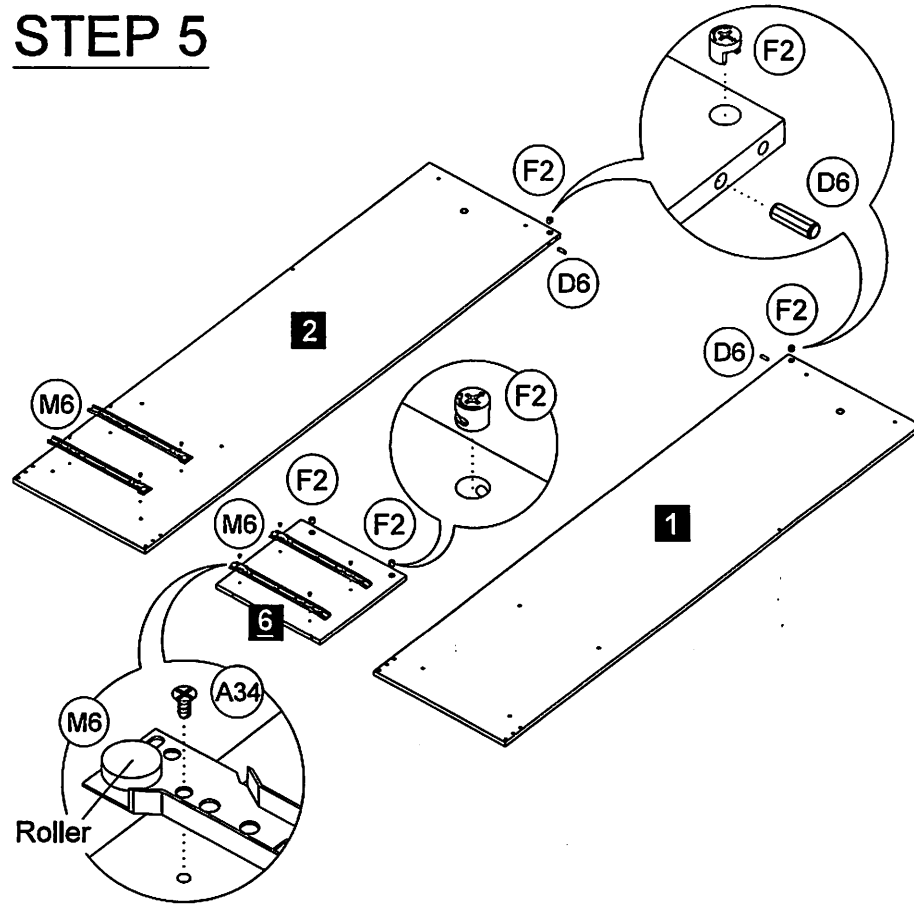
F2		Mini Fix 15mm	2 sets
A17		Crosshead Screw m6.3 x 40mm	2 pcs
N1		Allen Key	1 pc


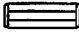

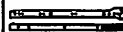
STEP 8



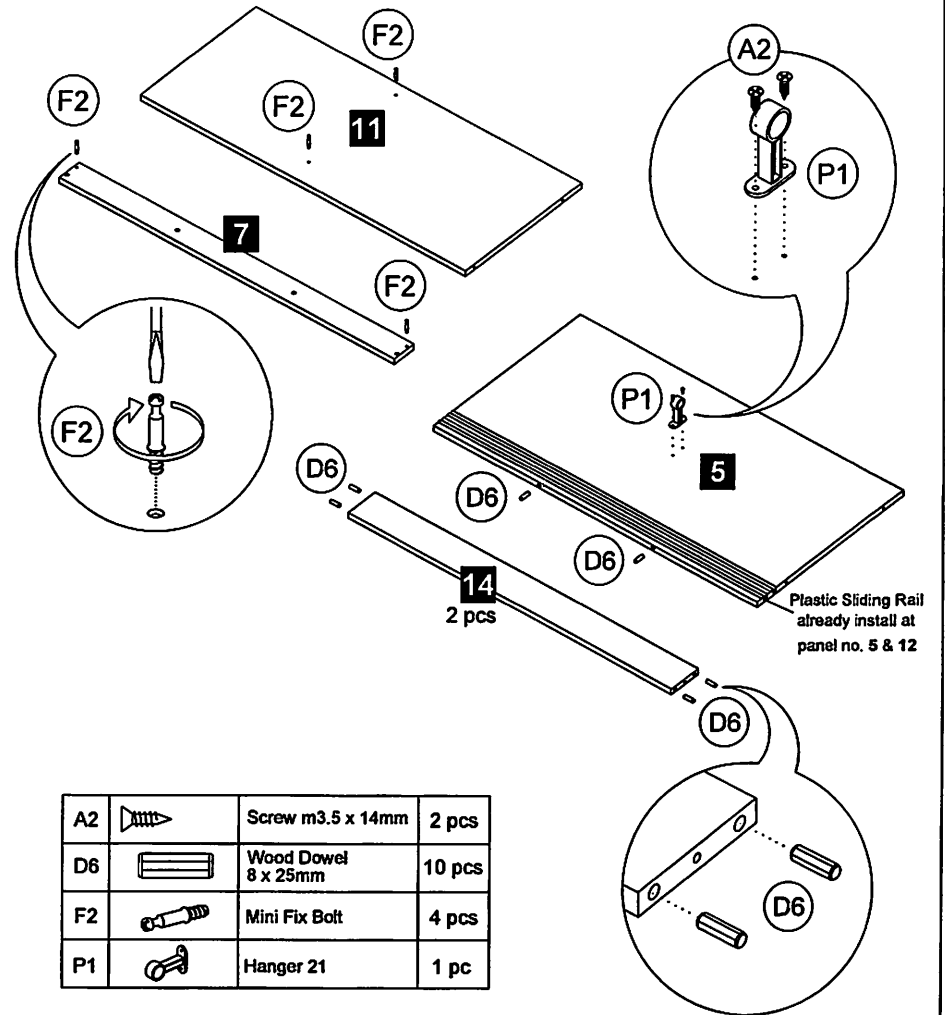
A17		Crosshead Screw m6.3 x 40mm	9 pcs
N1		Allen Key	1 pc
P		Hanging Steel Pipe 18mm x 911mm	1 pc
Y		Crosshead Cover	9 pcs


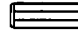


STEP 5



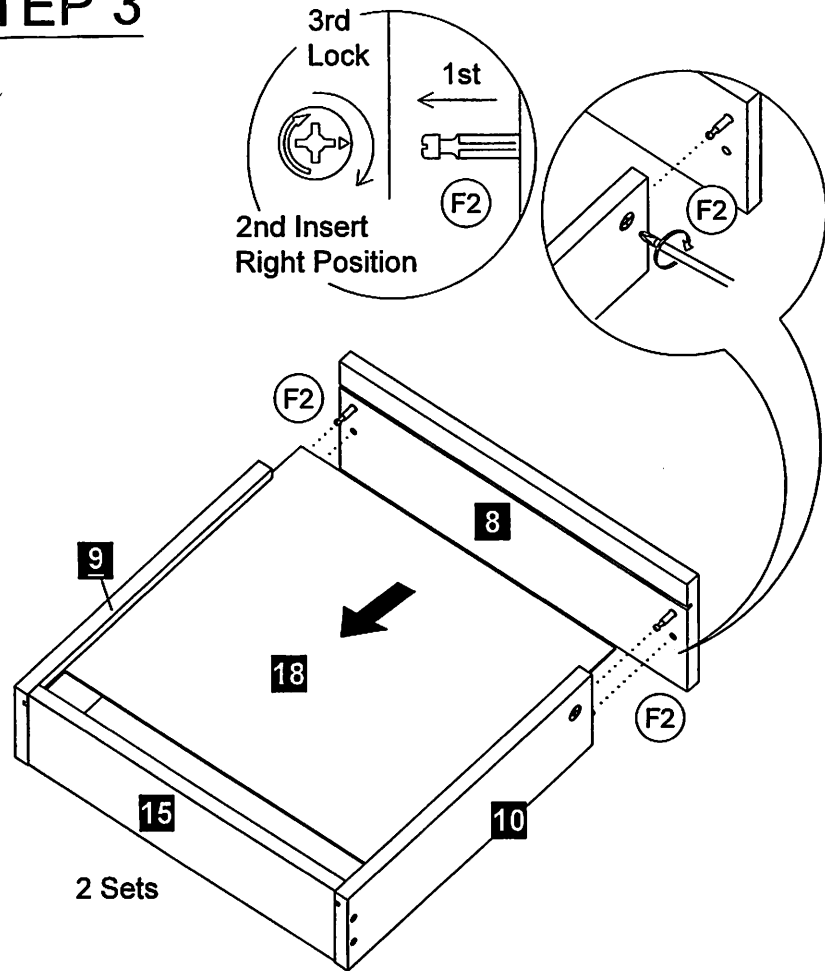
A34		Euro Screw m5 x 8mm	8 pcs
D6		Wood Dowel 8 x 25mm	2 pcs
F2		Mini Fix Cam	4 pcs
M6		Metal Drawer Slide 350mm	2 sets

STEP 6



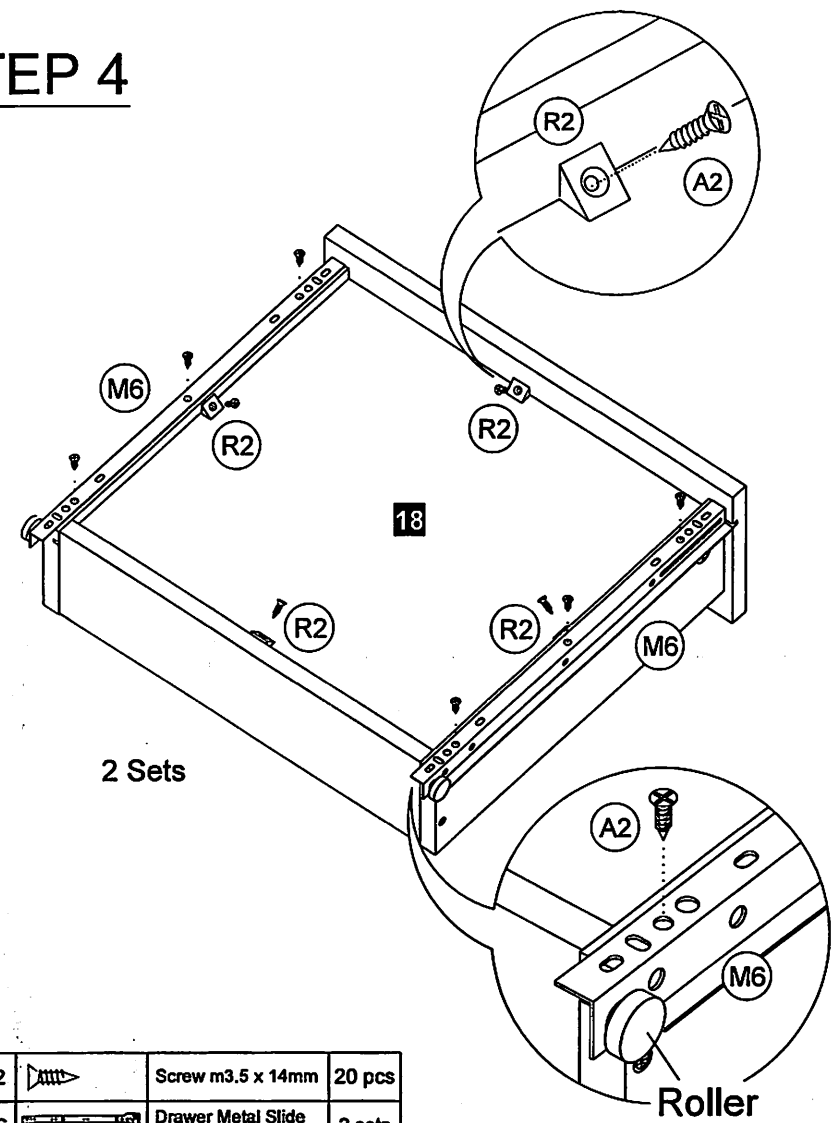
A2		Screw m3.5 x 14mm	2 pcs
D6		Wood Dowel 8 x 25mm	10 pcs
F2		Mini Fix Bolt	4 pcs
P1		Hanger 21	1 pc

STEP 3



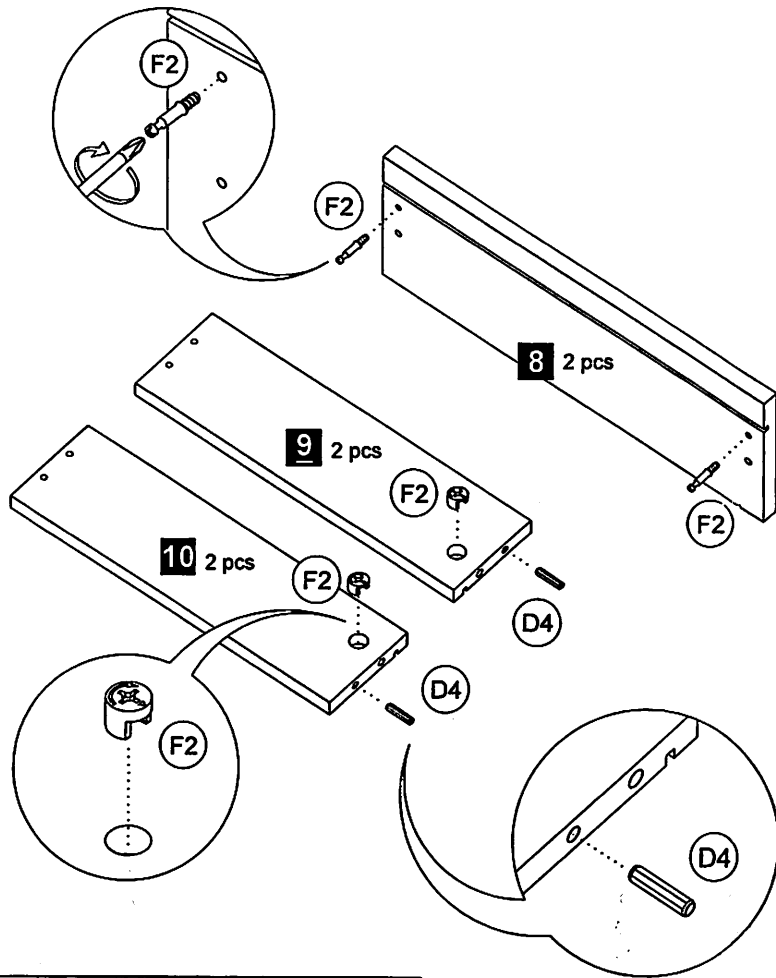
F2		Mini Fix 15mm	4 sets
----	--	---------------	--------




STEP 4



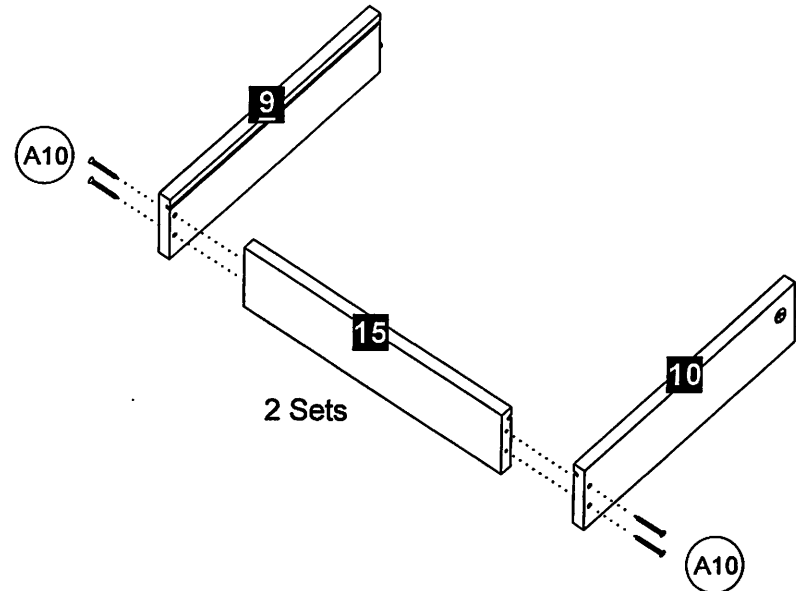
A2		Screw m3.5 x 14mm	20 pcs
M6		Drawer Metal Slide 350mm	2 sets
R2		Single Plastic Cap	8 pcs

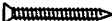
STEP 1



F2		Mini Fix Cam	4 pcs
F1		Mini Fix Bolt	4 pcs
D4		Wood Dowel 6 x 25mm	4 pcs

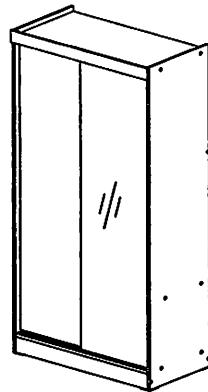
STEP 2



A10		Screw m4 x 38mm	8 pcs
-----	---------------------------------------------------------------------------------------	-----------------	-------

BETTER HOME PRODUCTS ASSEMBLY INSTRUCTIONS

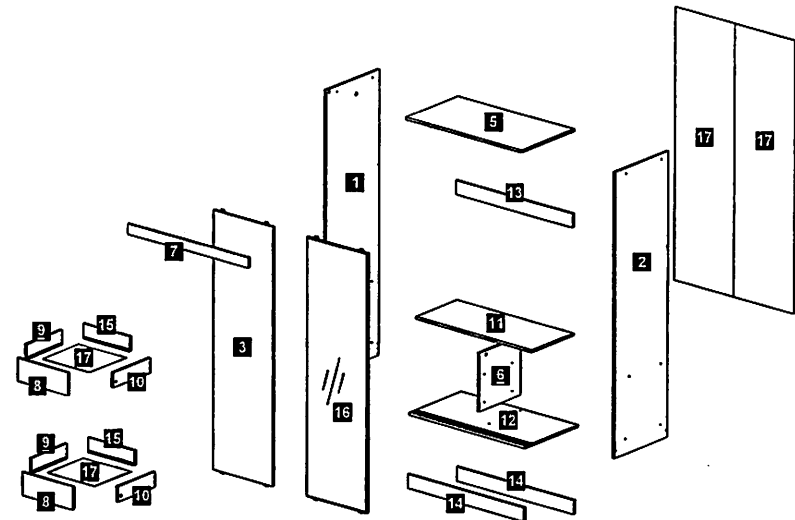
W-40



Hardware List			
A2		Screw m3.5 x 14mm	98 pcs
A10		Screw m4 x 38mm	8 pcs
A17		Screw m6.3 x 40mm	20 pcs
A34		Euro Screw m5 x 8mm	8 pcs
D4		Wood Dowel 6 x 25mm	4 pcs
D6		Wood Dowel 8 x 25mm	12 pcs
F2		Mini Fix 15mm	8 sets
L1		Leg Pin	2 pcs
L2		Plastic Leg L Shape	4 pcs
M6		Drawer Metal Slide 350mm	2 sets
N1		Allen Key	1 pc
N3		Nail	50 (+-3) pcs
P		Hanging Steel Pipe 18mm x 911mm	1 pc
P1		Hanger 21	1 pc
R1		L Bracket	4 pcs
R2		Single Plastic Cap	8 pcs
V5		Sliding Roller 1door 2sets	2 sets
Y		Crosshead Cover	18 pcs

MADE IN MALAYSIA

Page 1/18



Parts List		
1	Side Panel (L)	1 pc
2	Side Panel (R)	1 pc
3	Door Panel (L)	1 pc
4	Door Panel (R)	1 pc
5	Top Panel	1 pc
6	Small Center Panel	1 pc
7	Upper Crossbar	1 pc
8	Drawer Front Panel	2 pcs
9	Drawer Side Panel (L)	2 pcs
10	Drawer Side Panel (R)	2 pcs
11	Shelf Panel	1 pc
12	Bottom Panel	1 pc
13	Mid Crossbar	1 pc
14	Bottom Crossbar	2 pcs
15	Drawer Back Board	2 pcs
16	Mirror	1 pc
17	Backboard	2 pcs
18	Drawer Bottom Panel	2 pcs



Before starting assembly
please verify if all parts and
hardware are included

MADE IN MALAYSIA

Page 2/18