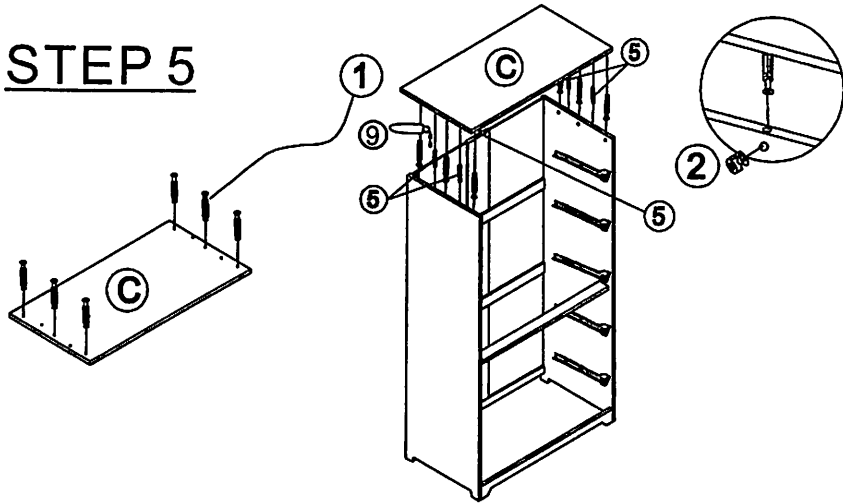
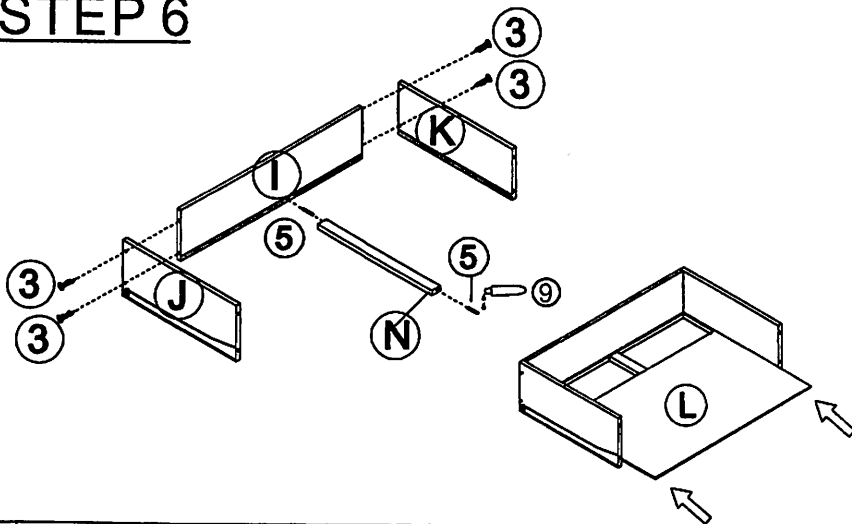


STEP 5



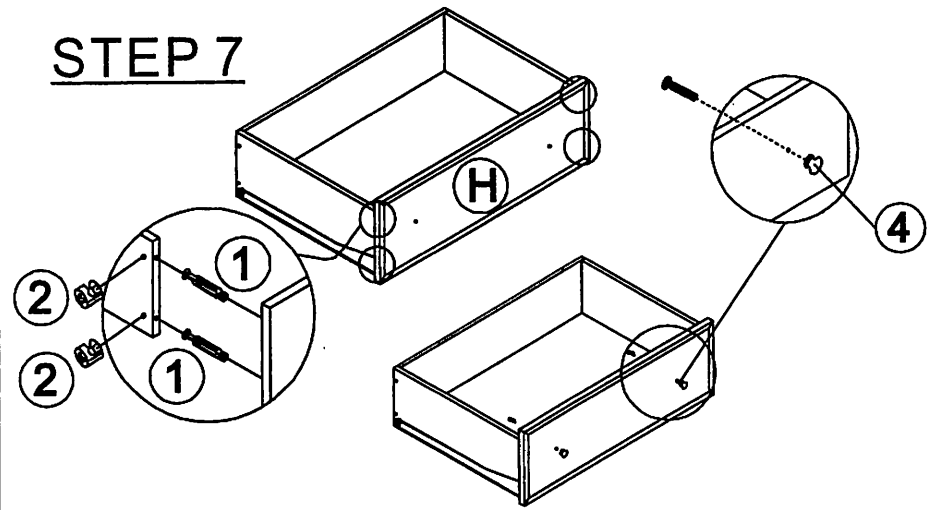
①		Φ1/4" X 1.1/2"	x6
②		Φ1/2" X 0.43"	x6
⑤		Φ1/4" X 1.1/8"	x4
⑨		GLUE	x1

STEP 6



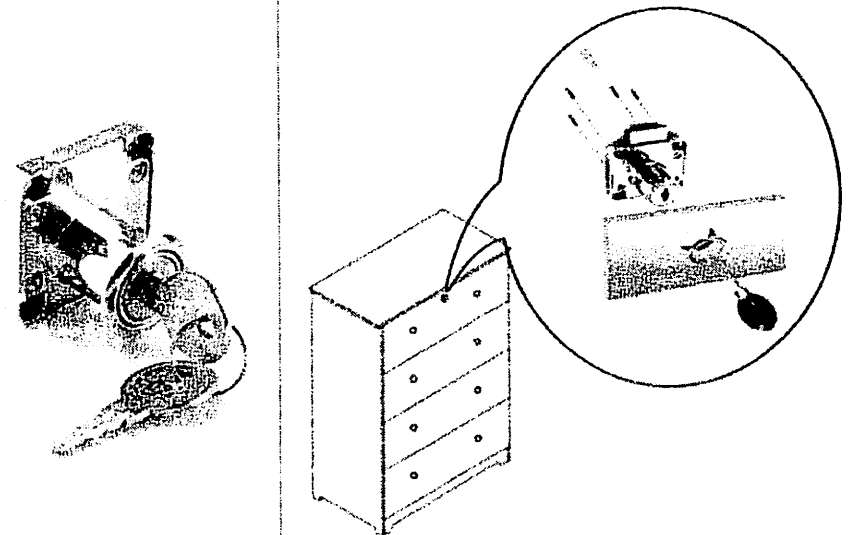
③		Φ1/4" X 1.38"	x4
⑤		Φ1/4" X 1.1/8"	x2
⑨		GLUE	x1

STEP 7



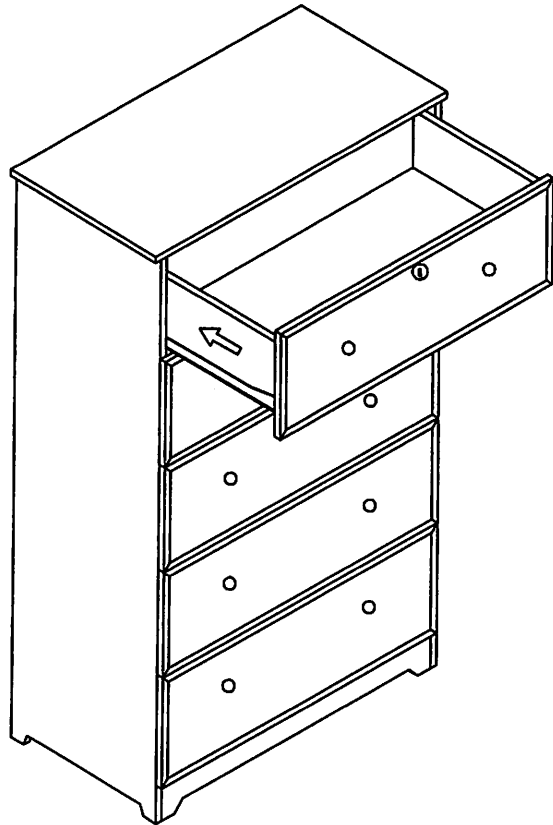
①		Φ1/4" X 1.1/2"	x4
②		Φ1/2" X 0.43"	x4
④ ⑥		KNOB AND SCREW	x2

STEP 8



⑦		LOCK AND KEY	x1
---	--	--------------	----

STEP 9



THANK YOU

We hope you enjoy your new purchase.

We have personally inspected this product.

In the event that you need any additional help for any reason,

Please do not hesitate to contact us at: 973-437-5068

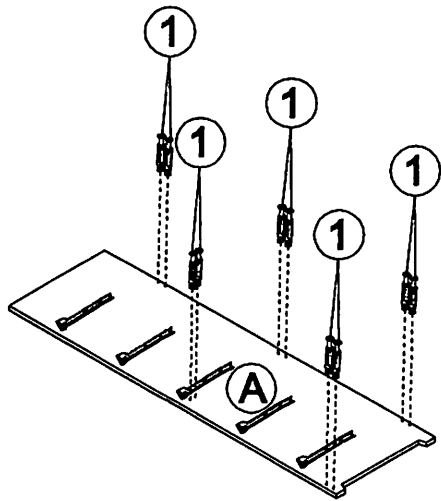
email peter@better-homeproducts.com

see our website Woodpeckers-furniture.com

**Better Home Products
323 Cortlandt Street
Belleville New Jersey**

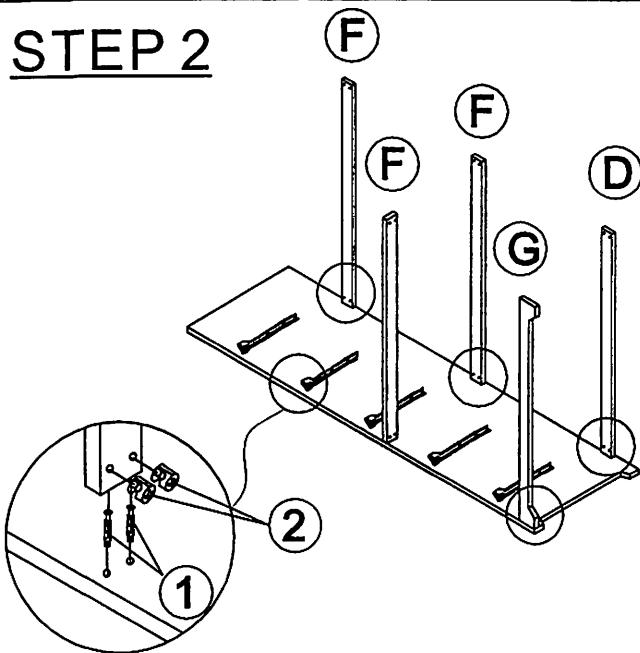
Thank you

STEP 1



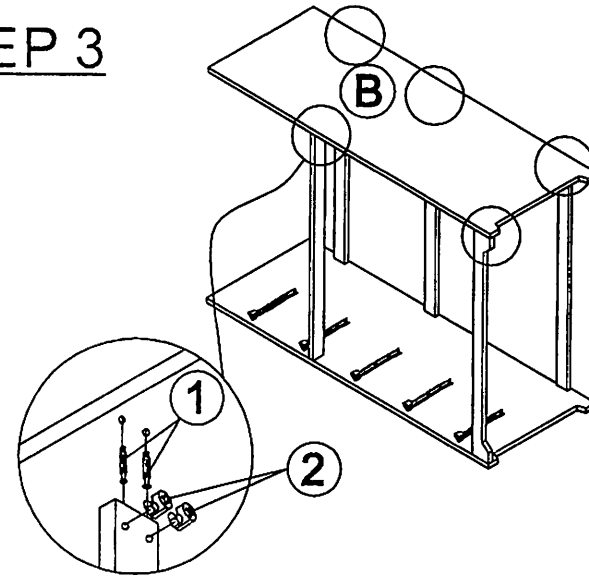
①		Φ1/4" X 1.1/2"	x10
---	--	----------------	-----

STEP 2



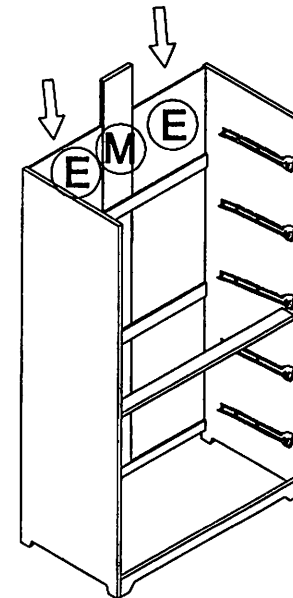
②		Φ1/2" X 0.43"	x10
---	--	---------------	-----

STEP 3



①		Φ1/4" X 1.1/2"	x10
②		Φ1/2" X 0.43"	x10

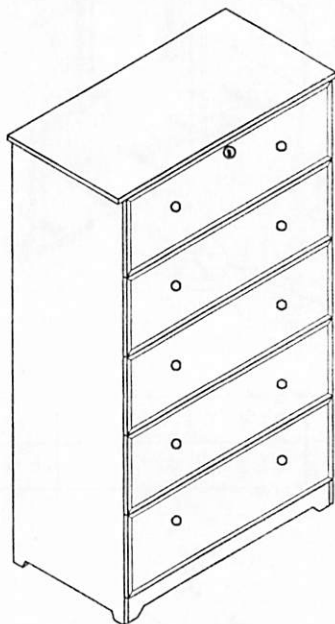
STEP 4



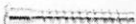







BETTER HOME PRODUCTS

ASSEMBLY INSTRUCTIONS

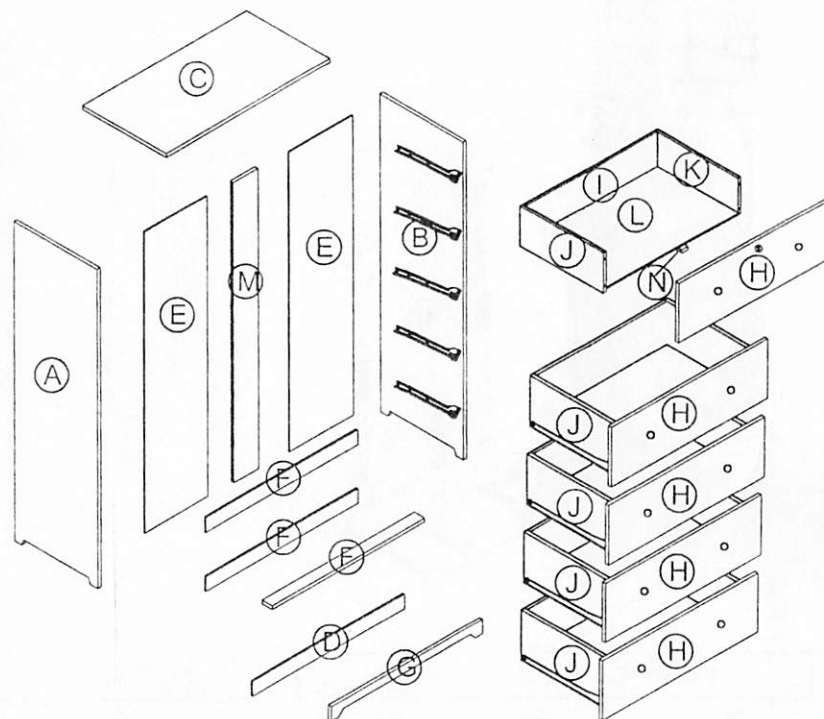
PINE CHEST 5 DRAWER



①		Φ1/4" X 1.1/2"	x46
②		Φ1/2" X 0.43"	x46
③		Φ1/4" X 1.38"	x20
④ ⑥		KNOB AND SCREW	x10
⑤		Φ1/4" X 1.1/8"	x14
⑦		LOCK AND KEY	x1
⑧		SCREWDRIVER	x1
⑨		GLUE	x1

MADE IN CHINA

Page 1/8



Parts list		
A	Left side panel	1 pc
B	Right side panel	1 pc
C	Top panel	1 pc
D	Back kick plate	1 pc
E	Back panel	2 pcs
F	Center support	3 pcs
G	Kick plate	1 pc
H	Drawer fronts	5 pcs
I	Drawer back panels	5 pcs
J	Left drawer side panels	5 pcs
K	Right drawer side panels	5 pcs
L	Drawer bottom panels	5 pcs
M	Back center connector	1 pc
N	Drawer bottom support	5 pcs

Page 2/8