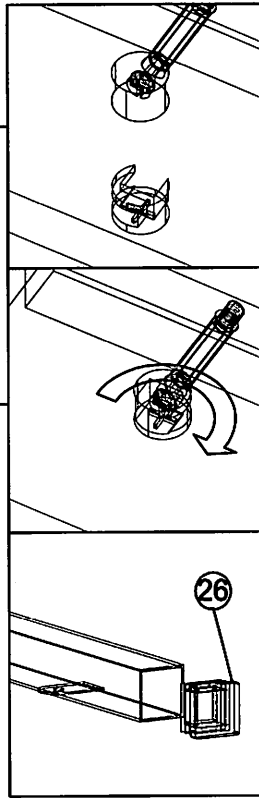
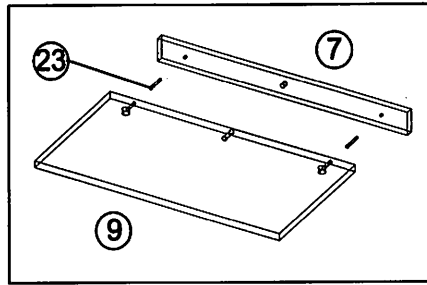
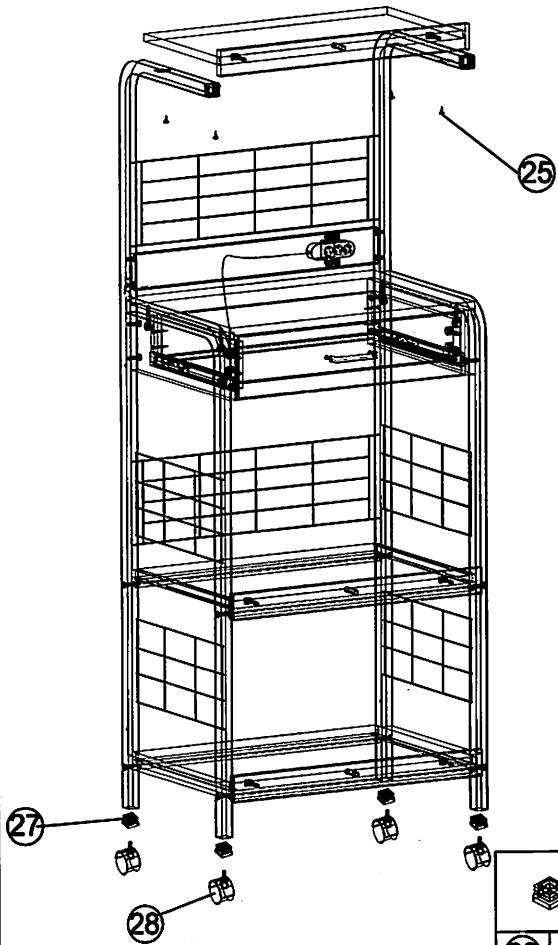
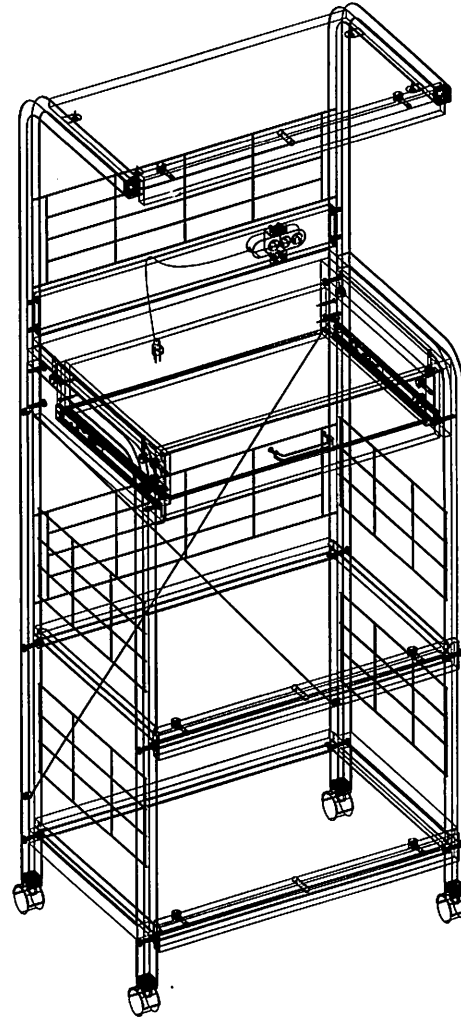


Step 12

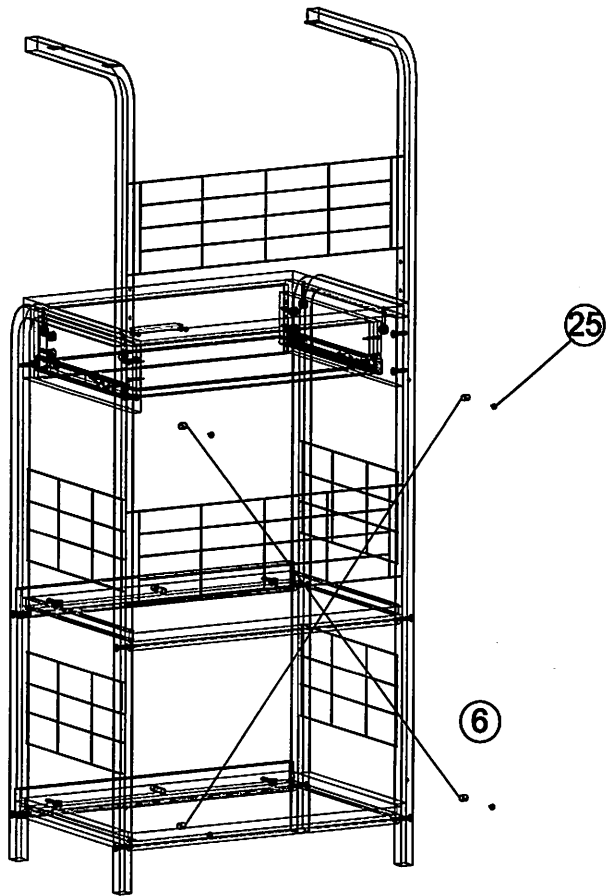


Final:

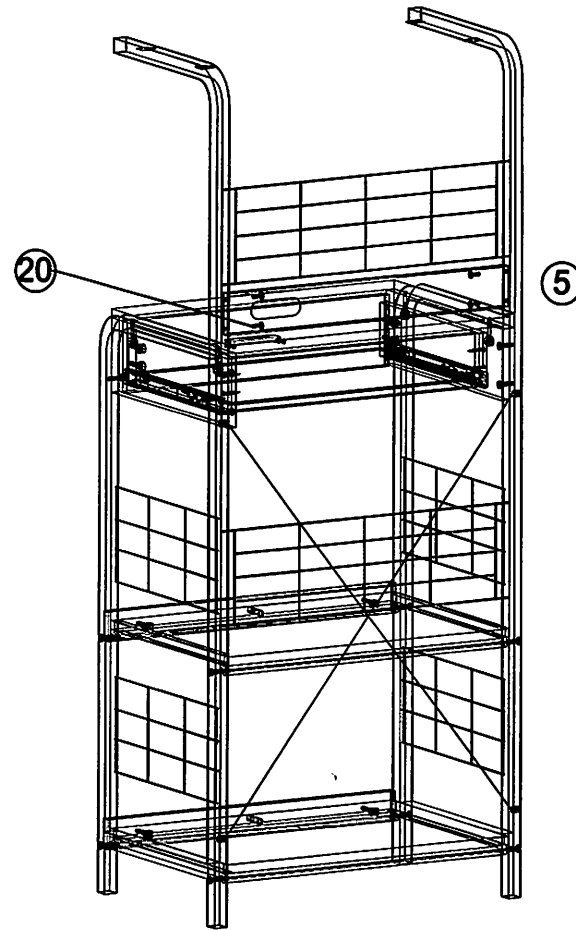


26 x2	25 x4	23 x4	9 x1	7 x1
27 x4	28 x4			

Step 10:



Step 11:



25

x4

6

x1



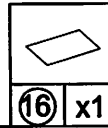
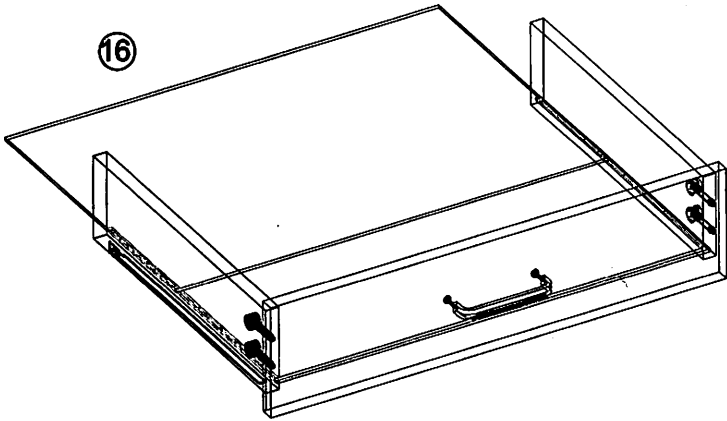
20

x4

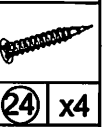
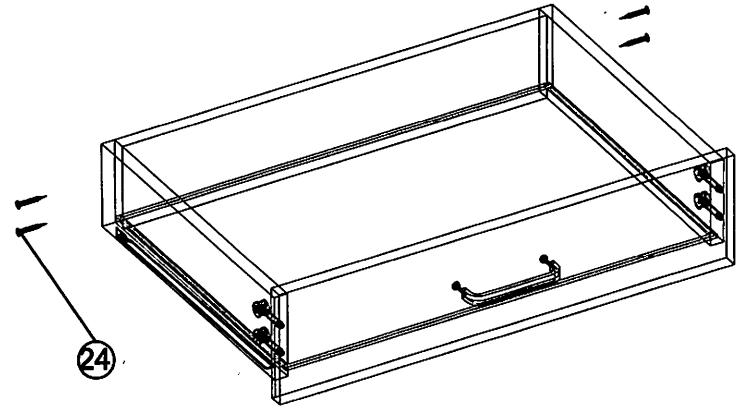
5

x1

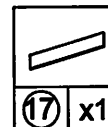
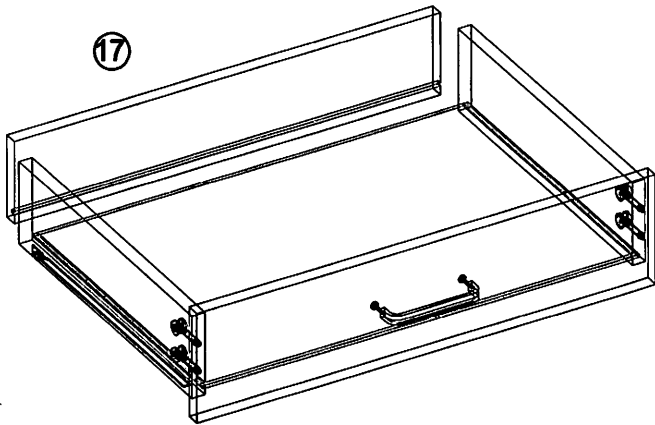
Step 6:



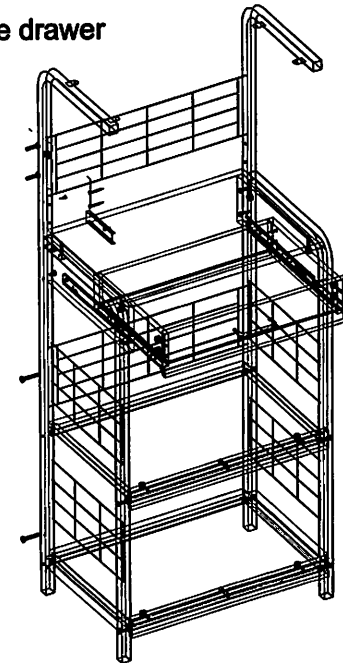
Step 8:



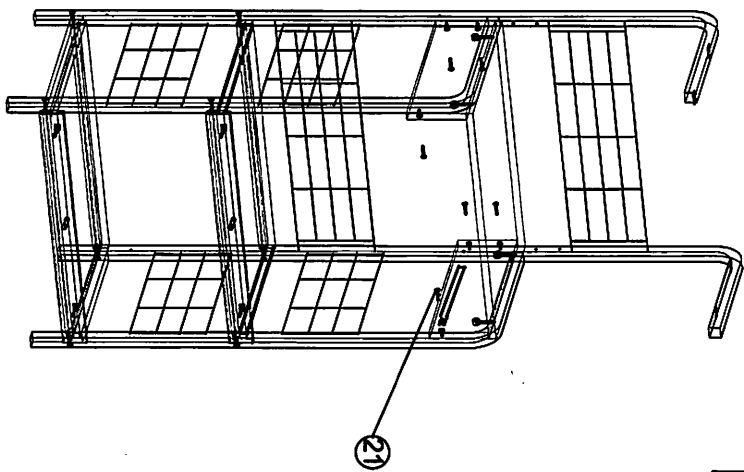
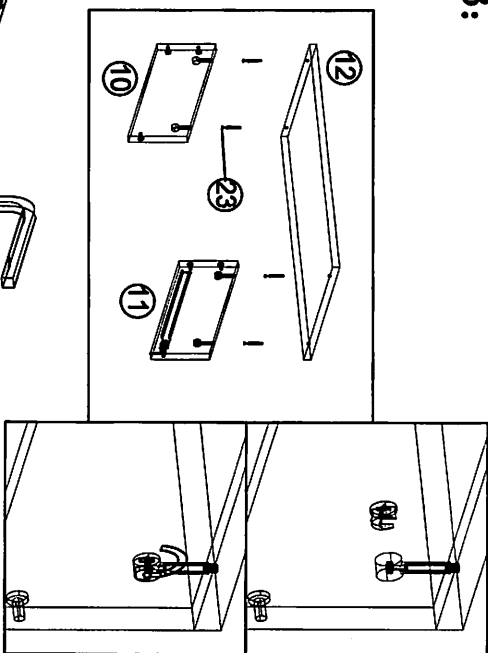
Step 7:



Step 9: Install the drawer

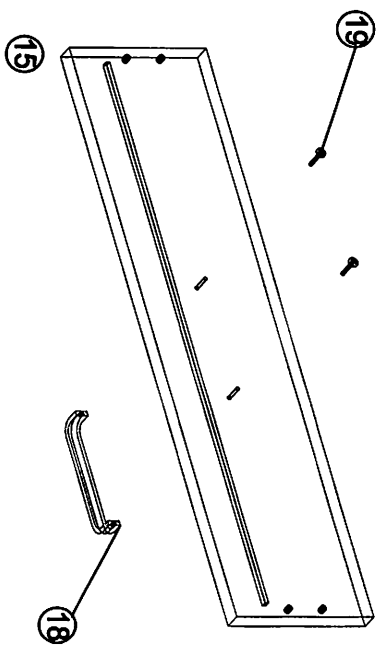


### Step 3:

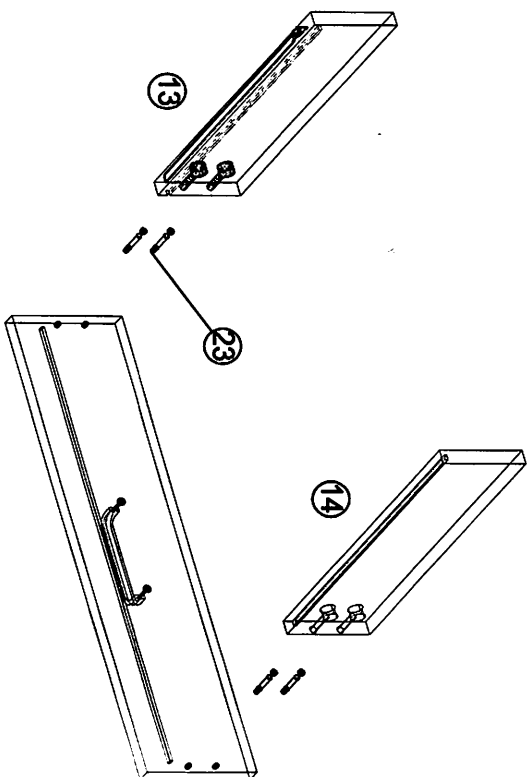


(12) x1	(21) x6	(23) x4
(10) x1	(11) x1	

### Step 4:

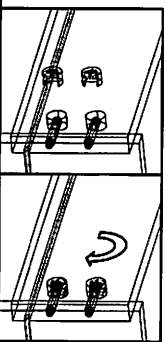


### Step 5:

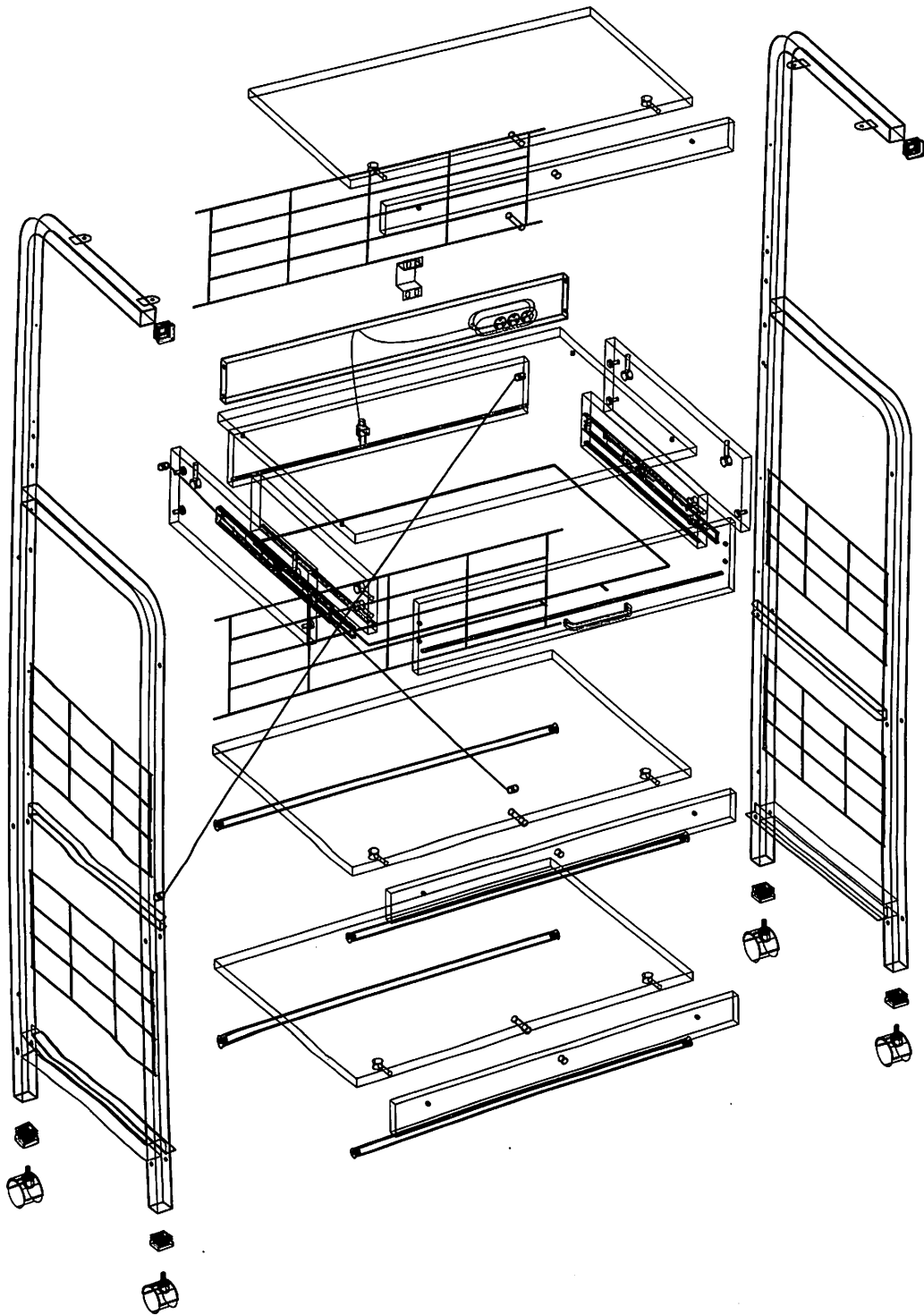


(18) x1	(19) x1	(15) x1

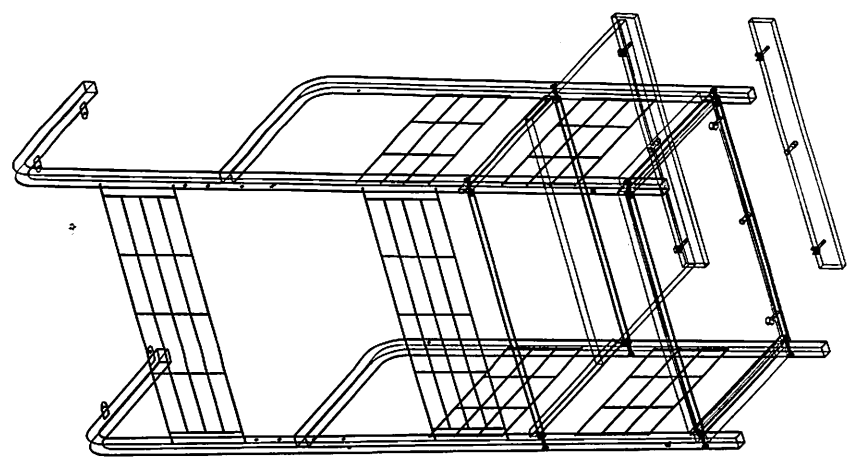
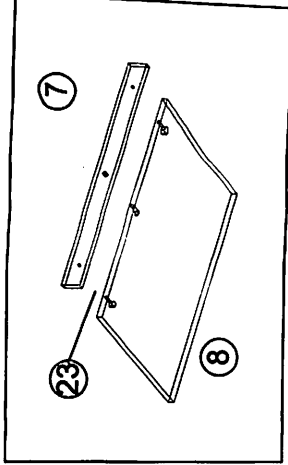
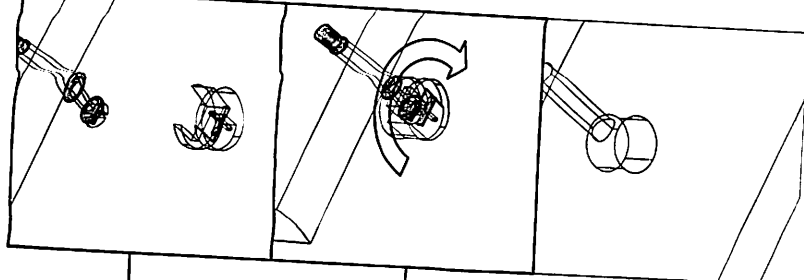
(13) x1	(14) x1	(23) x4



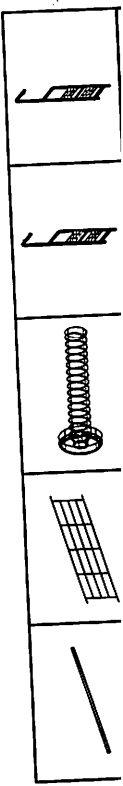
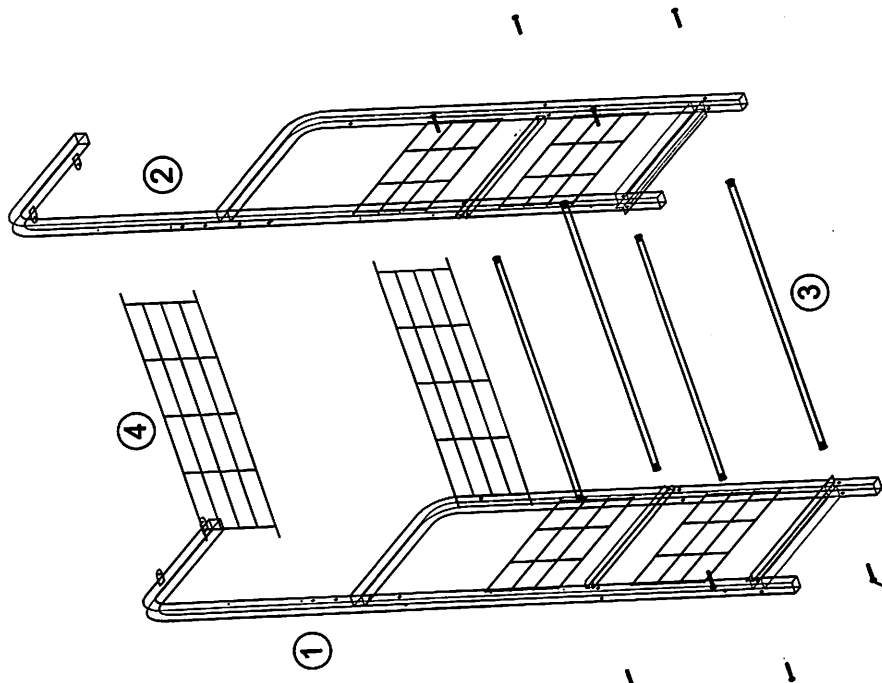
# Explosive view



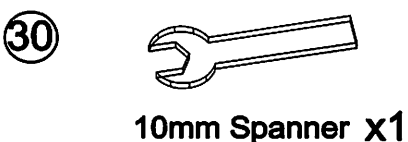
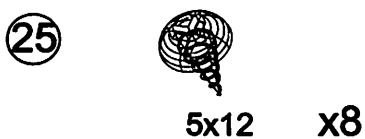
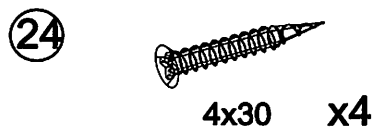
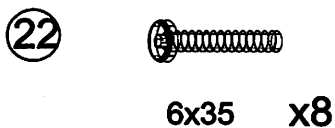
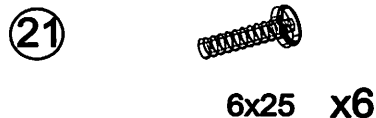
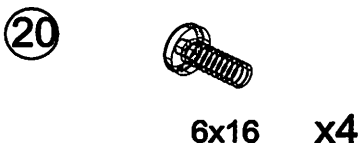
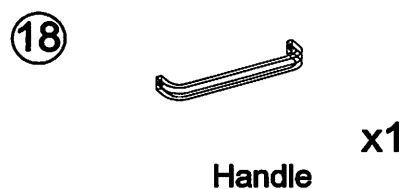
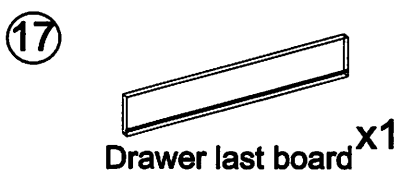
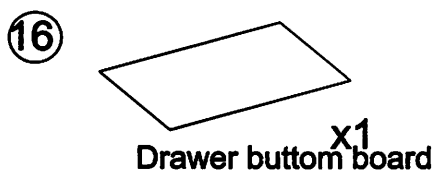
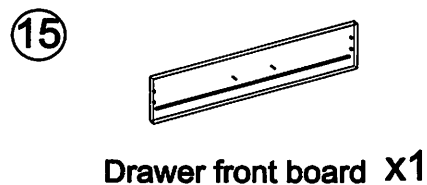
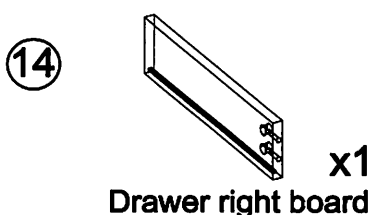
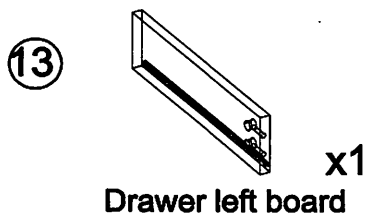
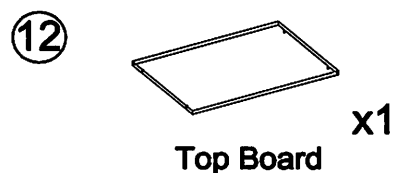
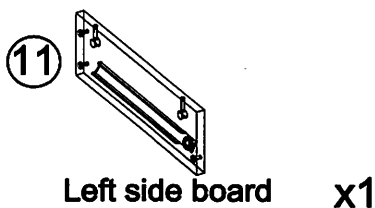
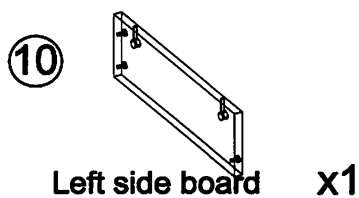
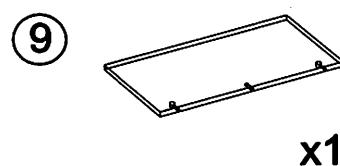
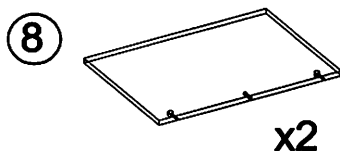
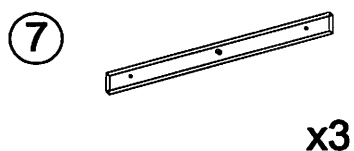
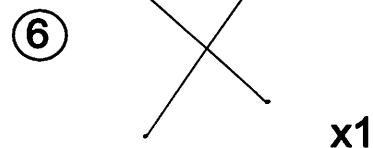
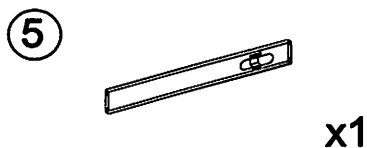
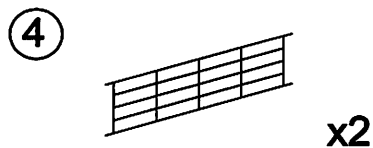
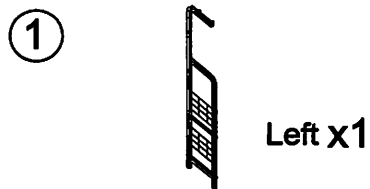
Step 2 :



Step 1 :



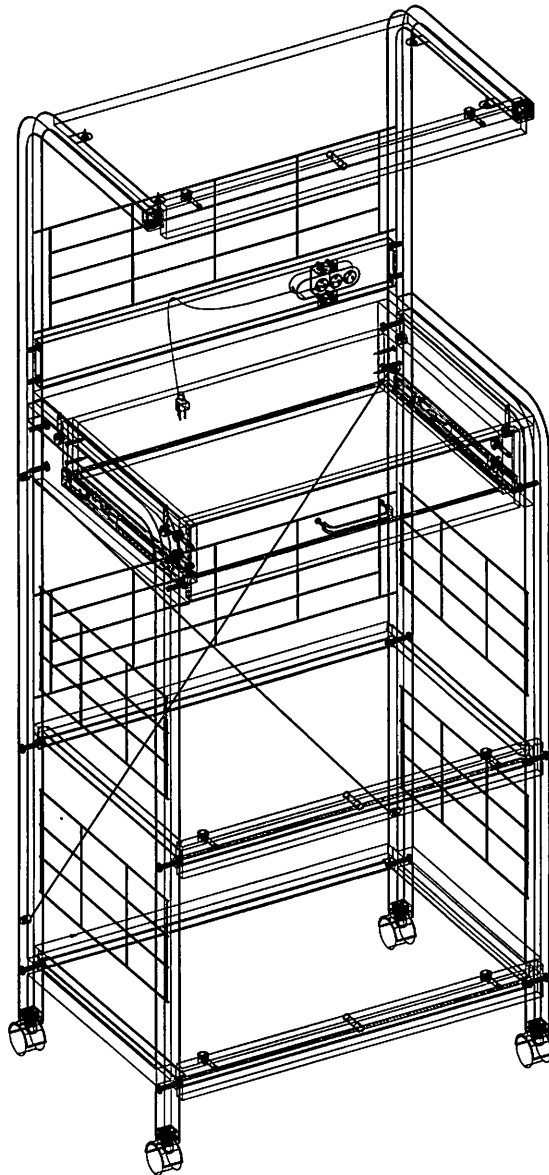
# Parts list



# Assembly Instruction

ITEM: MICRO METAL 500

---



## WARNING

○ Do not tighten the screws until they have been installed