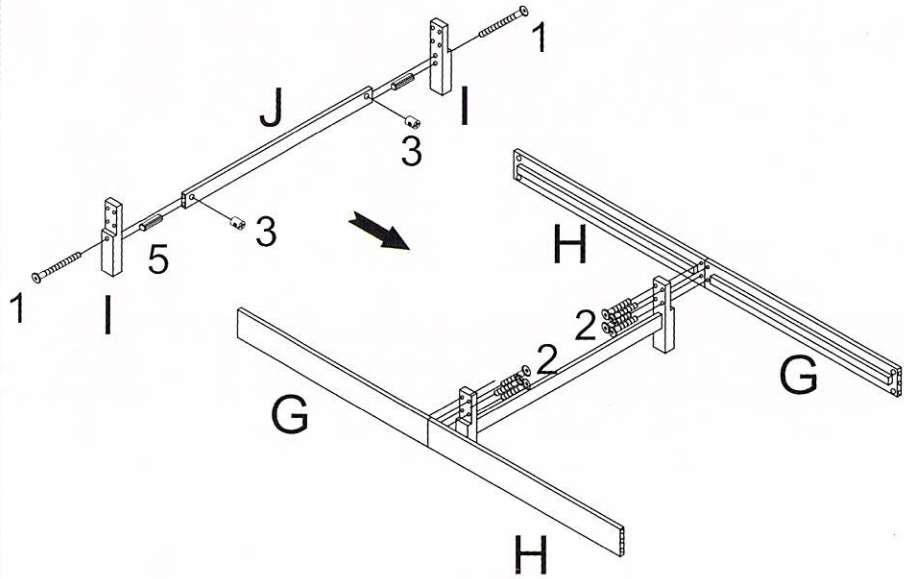
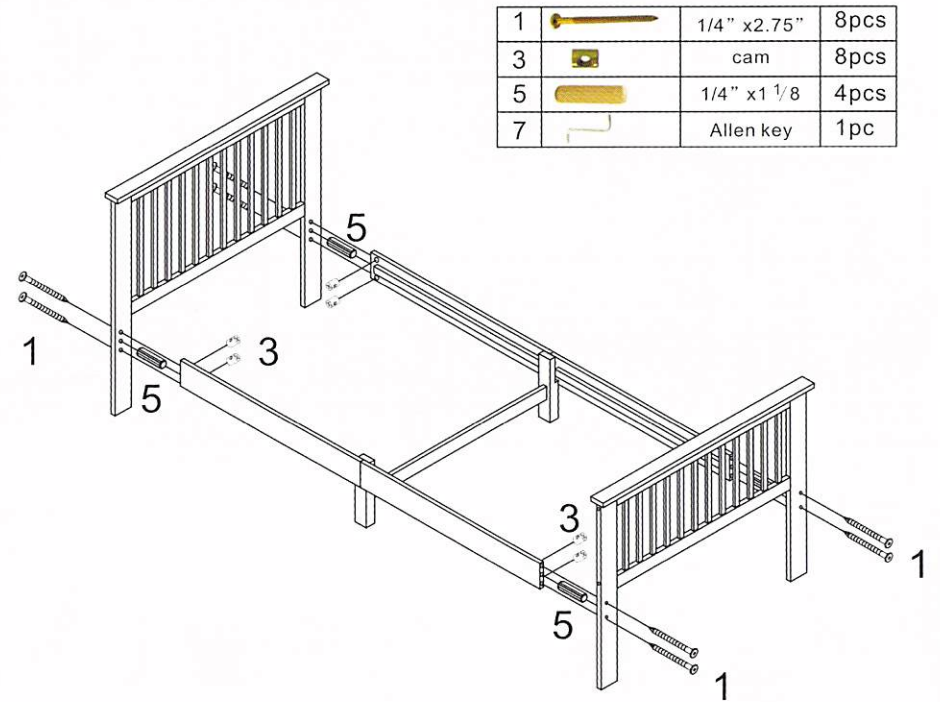


# STEP 3



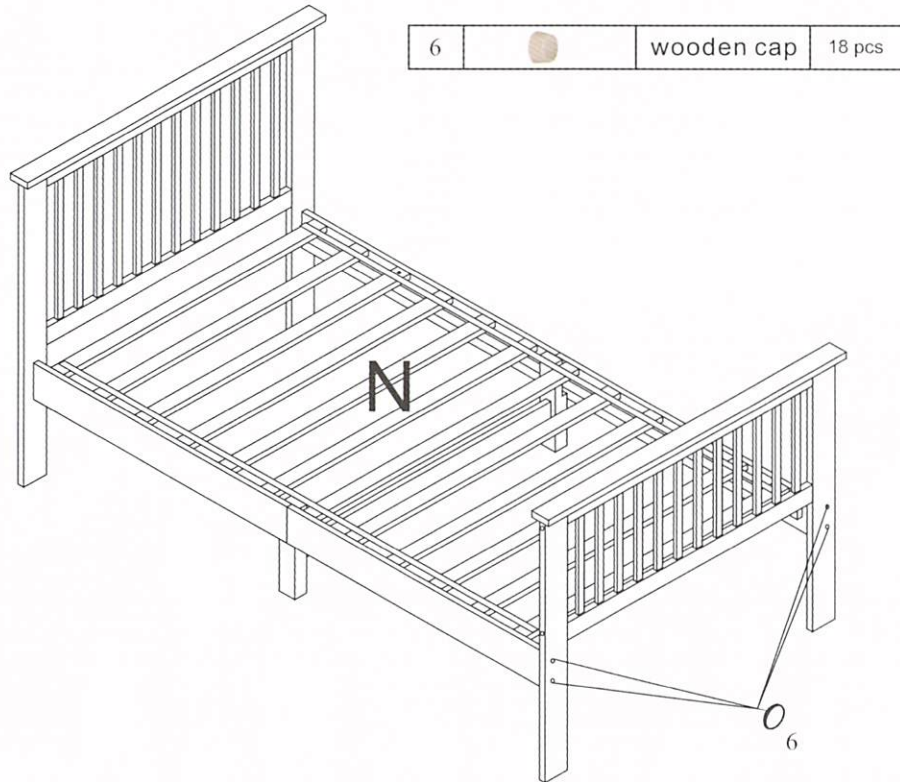
1		1/4" x2.75"	2pcs
2		1/4" x1 1/8	8pcs
3		cam	2pcs
5		1/4" x1 1/8	2pcs
7		Allen key	1pc

# STEP 4



1		1/4" x2.75"	8pcs
3		cam	8pcs
5		1/4" x1 1/8	4pcs
7		Allen key	1pc

## STEP 5



# THANK YOU

**We hope you enjoy your new purchase.**

**We have personally inspected this product.**

**In the event that you need any additional help for any reason,**

**Please do not hesitate to contact us at: 973-437-5068**

**email [peter@better-homeproducts.com](mailto:peter@better-homeproducts.com)**

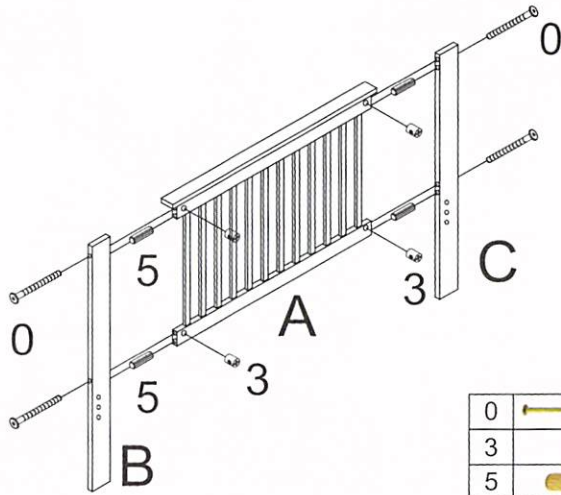
**see our website [Woodpeckers-furniture.com](http://Woodpeckers-furniture.com)**





**Better Home Products  
323 Cortlandt Street  
Belleville New Jersey**

**Thank you**

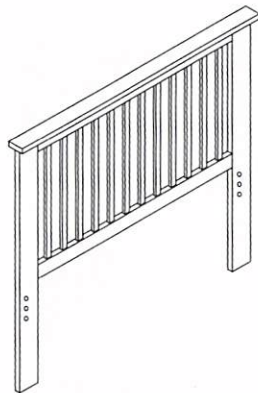
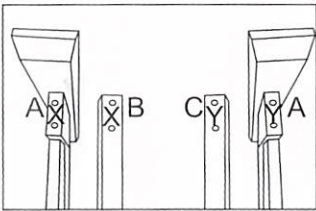
# STEP 1

## Headboard



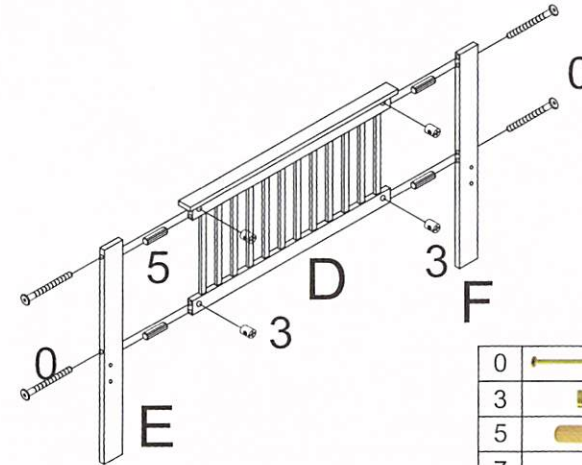
0		1/4" x 5.5"	4pcs
3		cam	4pcs
5		1/4" x 1 1/8	4pcs
7		Allen key	1pc





MARRY THE TWO  
LETTER PARTS



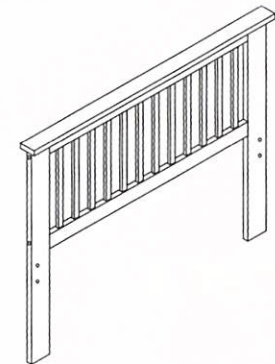
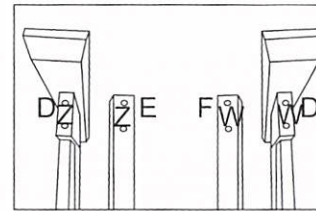
# STEP 2

## Footboard



0		1/4" x 5.5"	4pcs
3		cam	4pcs
5		1/4" x 1 1/8	4pcs
7		Allen key	1pc

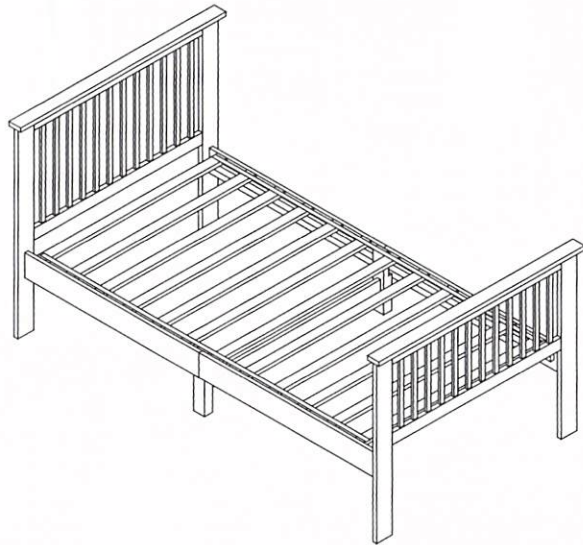
MARRY THE TWO  
LETTER PARTS










# BETTER HOME PRODUCTS

## ASSEMBLY INSTRUCTIONS

The Pine Bed (Twin Size)

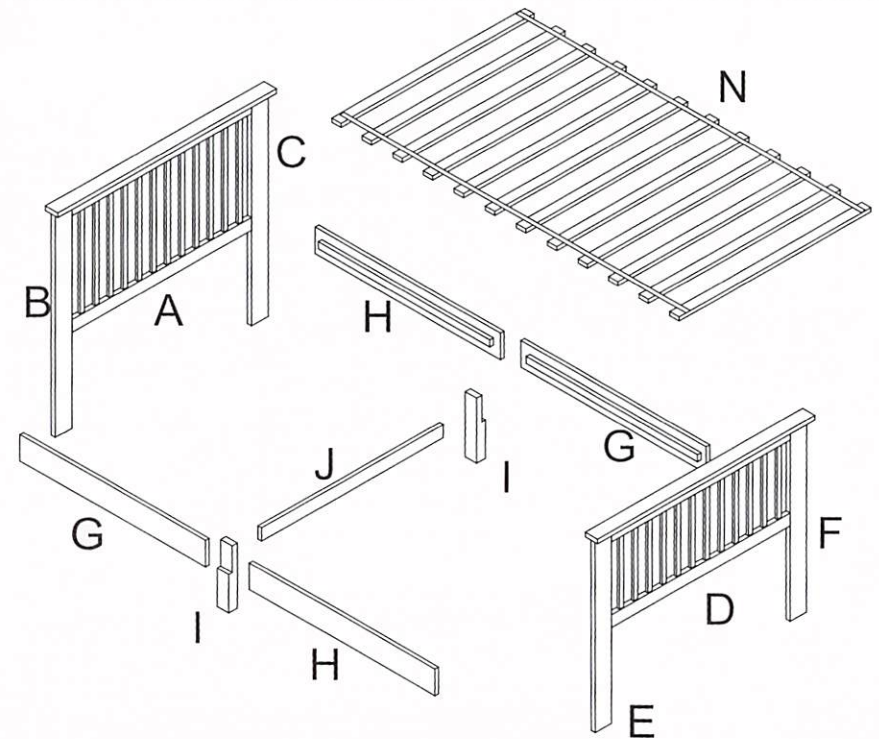


### Hardware list

0		5.5 inches bolt	8 pcs
1		2.75 inches bolt	10 pcs
2		1 inch bolt	8 pcs
3		cam	18 pcs
5		wooden dowel	14 pcs
6		wooden cap	18 pcs
7		Allen key	1 pc

MADE IN CHINA

Page 1/8



### Parts list

A	Headboard	1 pc
B	Headboard legs	1 pc
C	Headboard legs	1 pc
D	Footboard	1 pc
E	Footboard legs	1 pc
F	Footboard legs	1 pc
G	Side rails	2 pcs
H	Side rails	2 pcs
I	Support legs	2 pcs
J	Center support legs	1 pc
N	Slats	1 set



Before Starting assembly  
please verify if all parts and  
hardware are included.

MADE IN CHINA

Page 2/8