
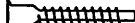


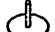
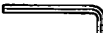





Before you begin, please follow assembly instruction carefully, then follow step by step.

Read instruction carefully. See furniture Parts List and Hardware List for guidance. Be sure you have all parts before you start assembling. Place and assemble furniture on a clean flat soft surface, such as carpet, rug or carton to prevent being scratched.

Reminder :

Please ensure that all surface and edges with colours / laminations are facing forward / outward.

HARDWARE LIST			QTY
A2		Screw m3.5 x 14mm	4
A17		Crosshead Screw m6.3 x 40mm	16
D4		Wood Dowel 6 x 25mm	4
F2		Mini Fix 15mm	4 sets
L1		Leg Pin	4
N1		Allen Key	1
N3		Nail	18 (+-3)
R1		L Bracket	1
Y		Crosshead Cover & Mini Fix Cap	16

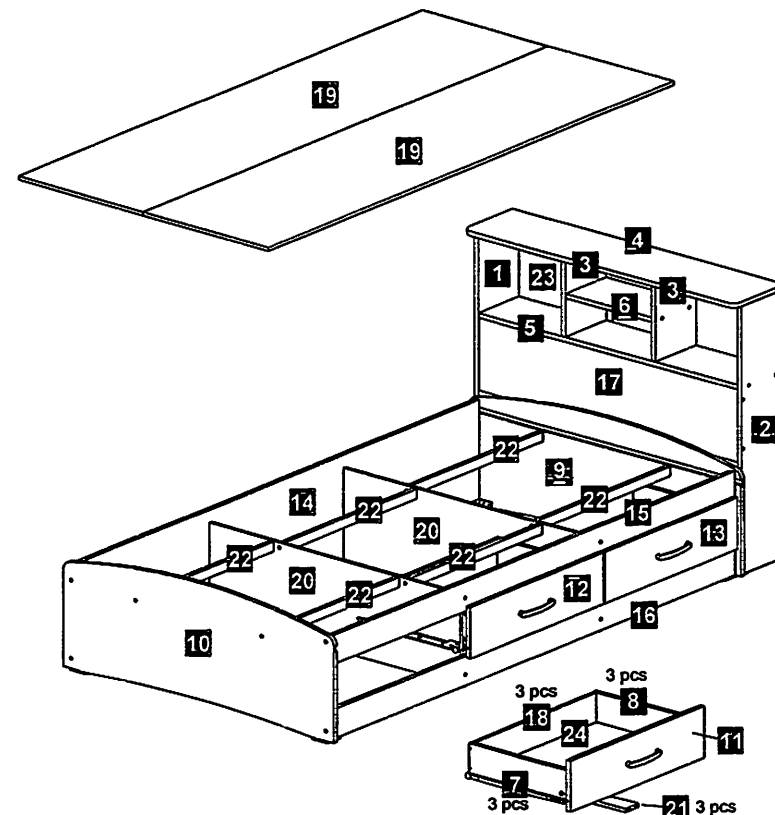
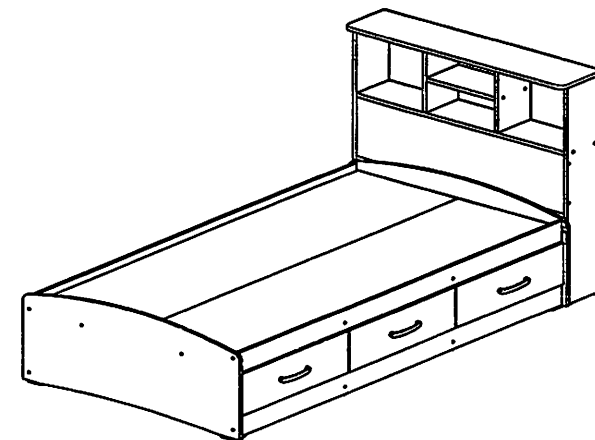
Each pack have contain different type hardware and size of screw for easy assemble. Please refer to page 2, check a screw size.

CAUTION

MATERIAL USE LAMINATED PARTICLE BOARD, TO CLEAN USE SOFT, DRY CLOTH. DO NOT USE DETERGENT OR CHEMICAL. AVOID CONTACT WITH WATER AND DIRECT SUNLIGHT. TO BE ASSEMBLED ON A SOFT, DRY, CLEAN SMOOTH SURFACE.



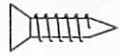
USE OF POWER TOOLS TO ASSEMBLE THIS PRODUCT WILL INVALIDATE ANY CLAIM AND MAY DAMAGE THIS PRODUCT MAKING IT UNSAFE.



Reference Screw Size.

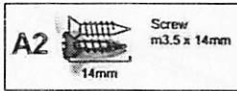
Place your screw on top to identify the size

A2

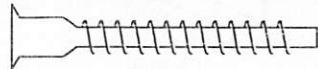


14mm

Screw
m3.5 x 14mm

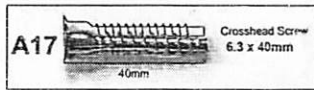


A17

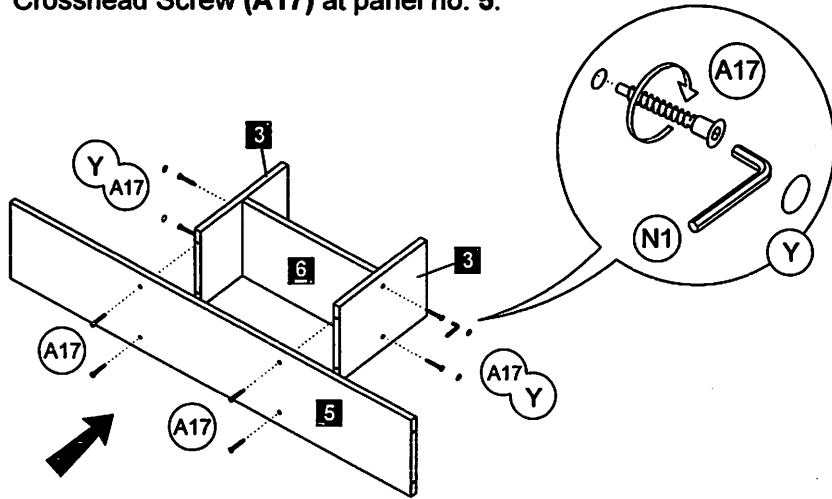


40mm

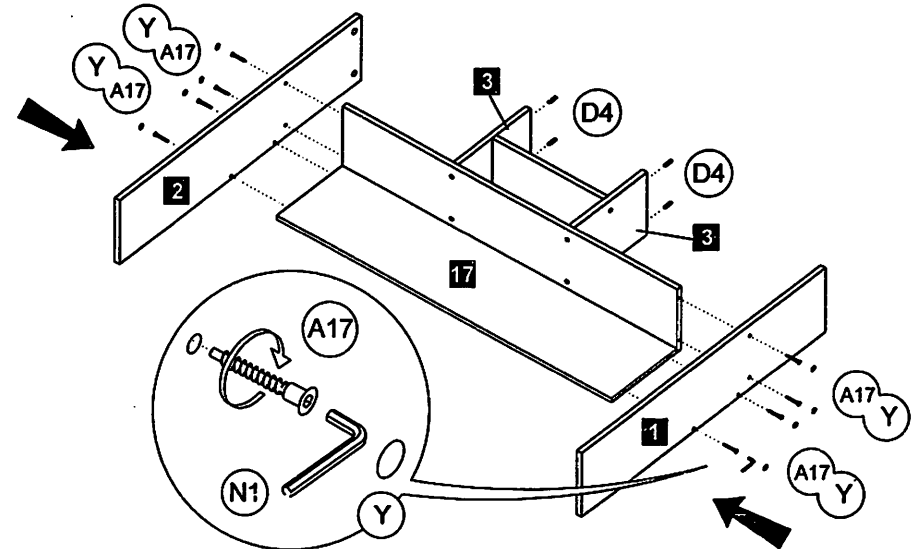
Crosshead Screw
6.3 x 40mm



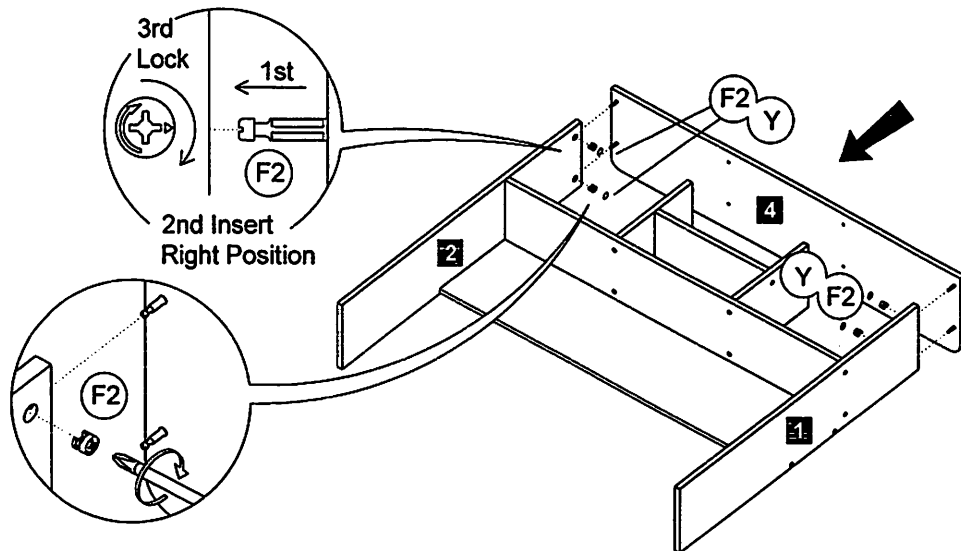
STEP 1 Use Allen Key (N1) to tighten a Crosshead Screw m6.3 x 40mm (A17) & button a screw head with Crosshead Cover (Y) except Crosshead Screw (A17) at panel no. 5.



STEP 2 Insert the Wood Dowel 6 x 25mm (D4) at panel no. 3. Use Allen Key (N1) to tighten a Crosshead Screw m6.3 x 40mm (A17) & button a screw head with Crosshead Cover (Y).



STEP 3 Attach a top panel no. 4 & secure by Mini Fix 15mm (F2) at panel no. 1 & 2 & button the Mini Fix 15mm (F2) with Mini Fix Cap (Y).



STEP 4 Attach the L Bracket (R1) between the panel no. 5 & 17 by using Screw (A2). Nail a Leg Pin (L1) at bottom panel no. 1 & 2. Assemble a back panel with secure by Nail (N3).

