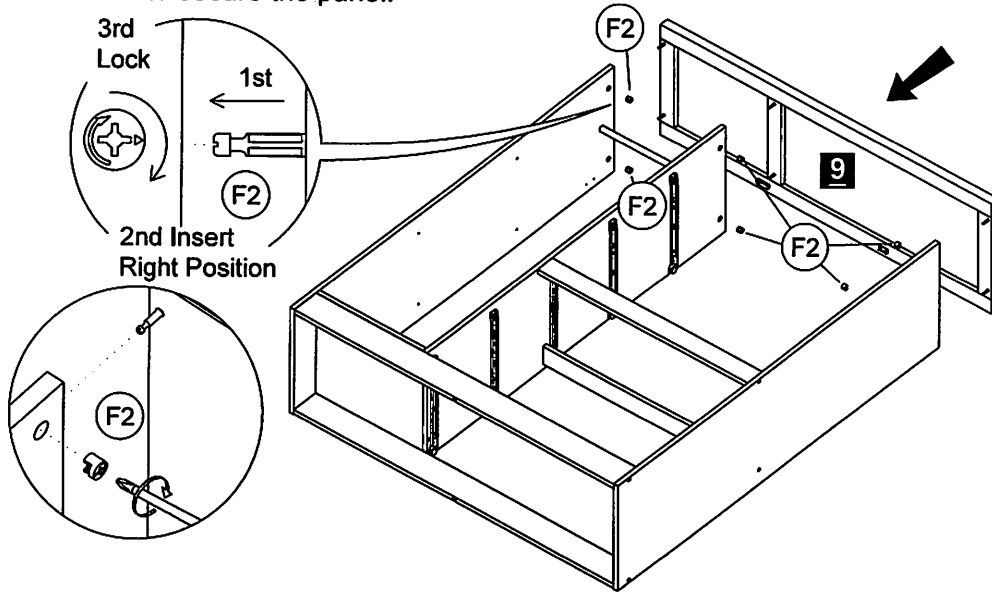
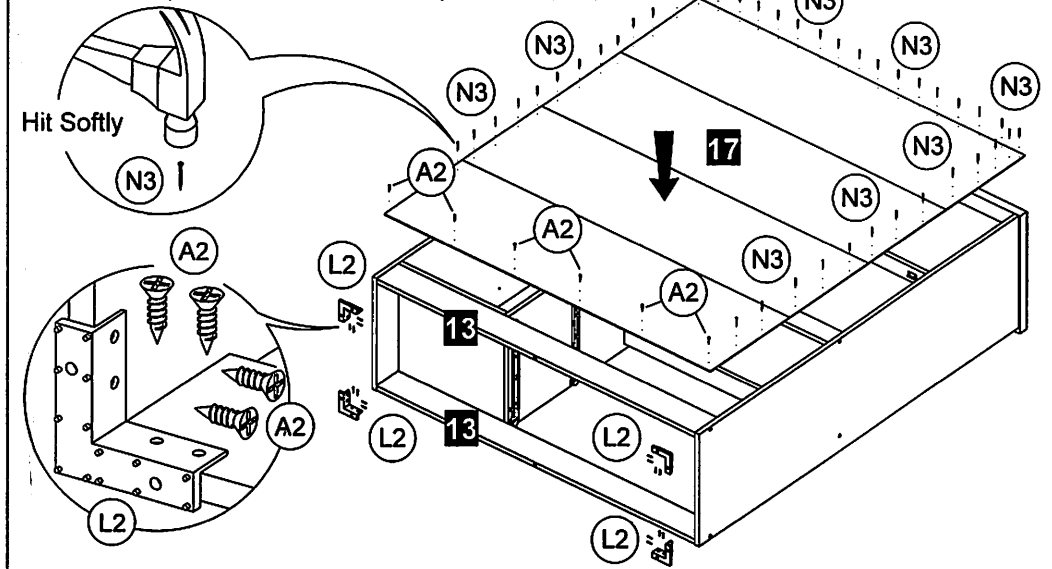


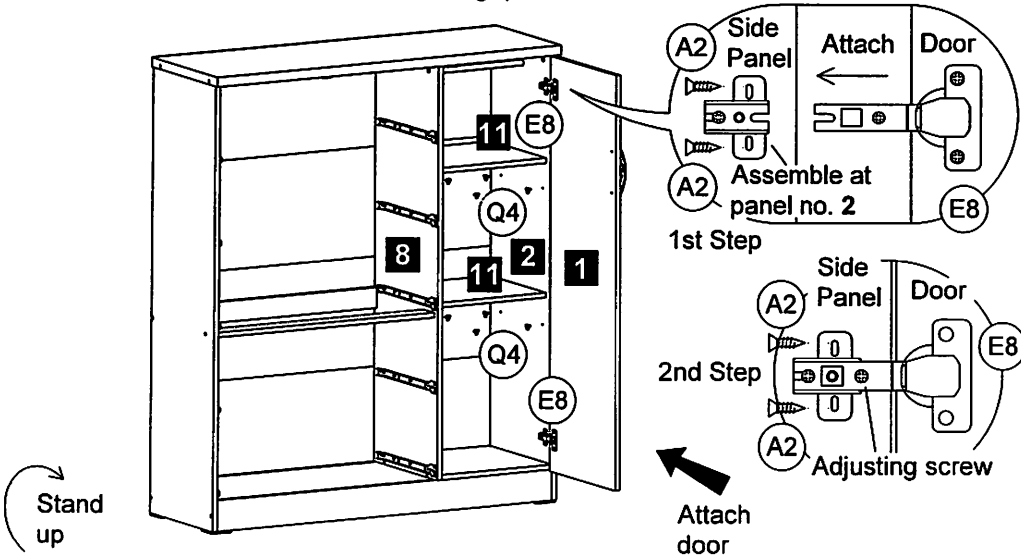
STEP 9 Attach the panel no. 9 in right position. Then use Mini Fix 15mm (F2) to secure the panel.



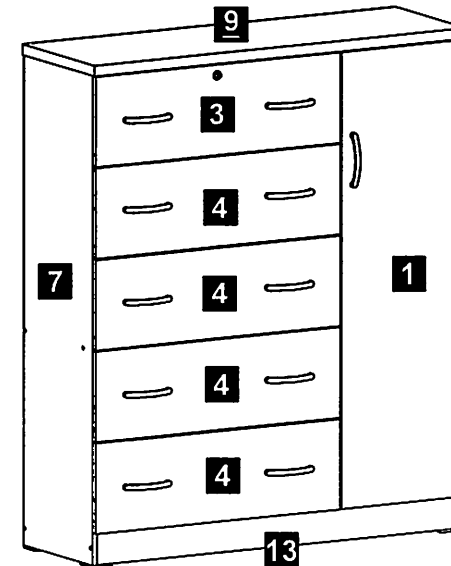
STEP 10 Screw the Plastic Leg L Shape (L2) at between panel no. 13 & side panel. Assemble the back panel with secure by Nail (N3). Bottom panel no. 17 secure by Screw (A2).



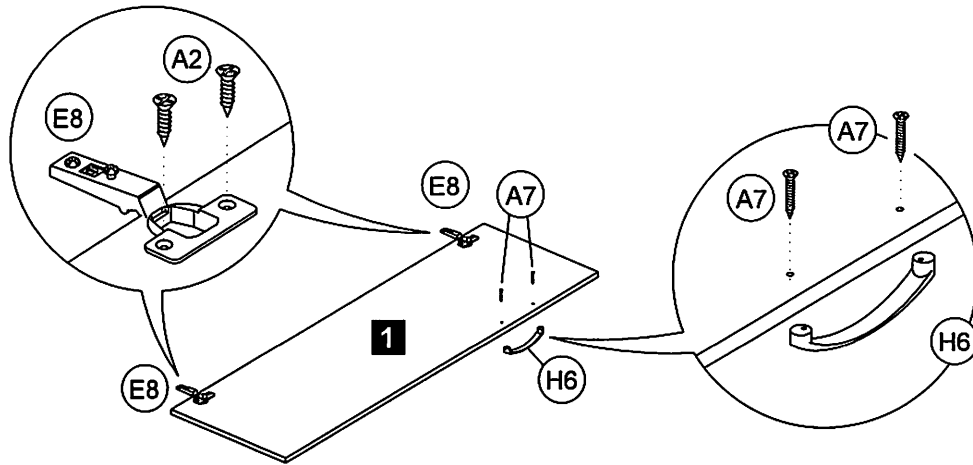
STEP 11 Insert the Plastic Shelf Support With Steel Pin (Q4) at panel no. 2 & 8 before install the panel 11. Attach door & adjusting the Hinges (E8) screw to parallel between a door gap.



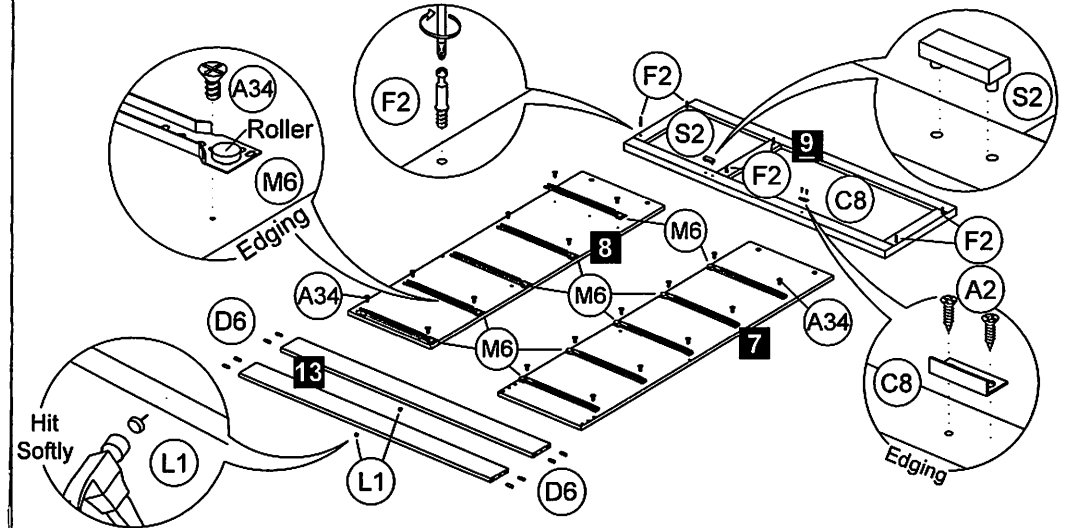
COMPLETE



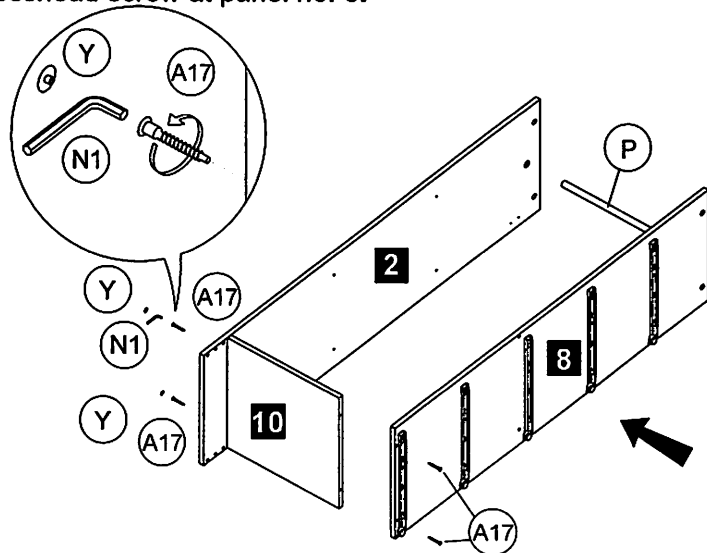
STEP 5 Use Screw (A2) to assemble the Hinges 5/8" (E8) at panel no. 1. Then assemble the Handle (H6) by using Screw (A7).



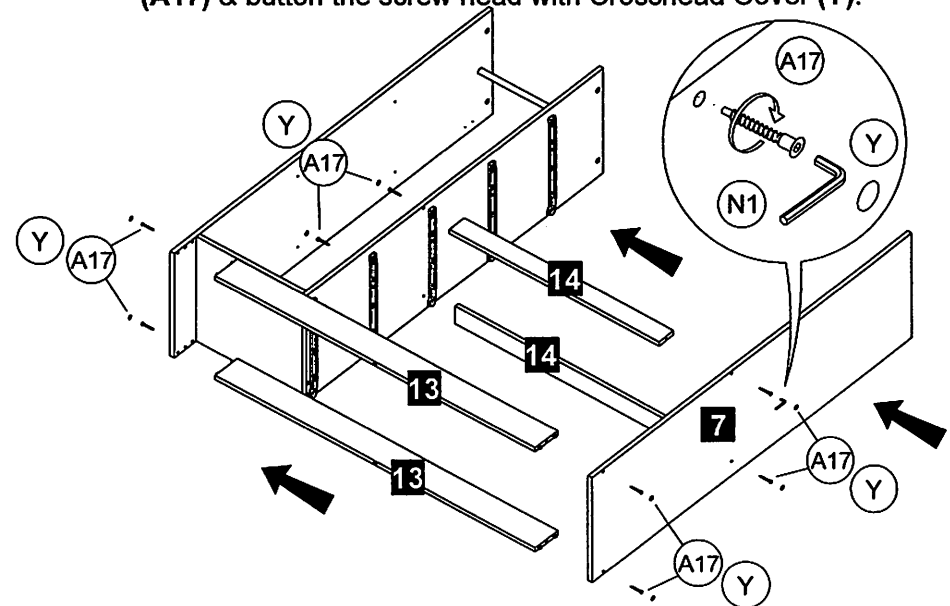
STEP 6 Use Screw (A34) to assemble the Drawer Metal Slide 350mm (M6) at marking hole panel no. 7 & 8. Attach the Mini Fix Bolt (F2), Door Stopper (S2) & Square Lock L Bracket (C8) at panel no. 9. Insert the Wood Dowel (D6) and nail the Leg Pin (L1) at panel no. 13.



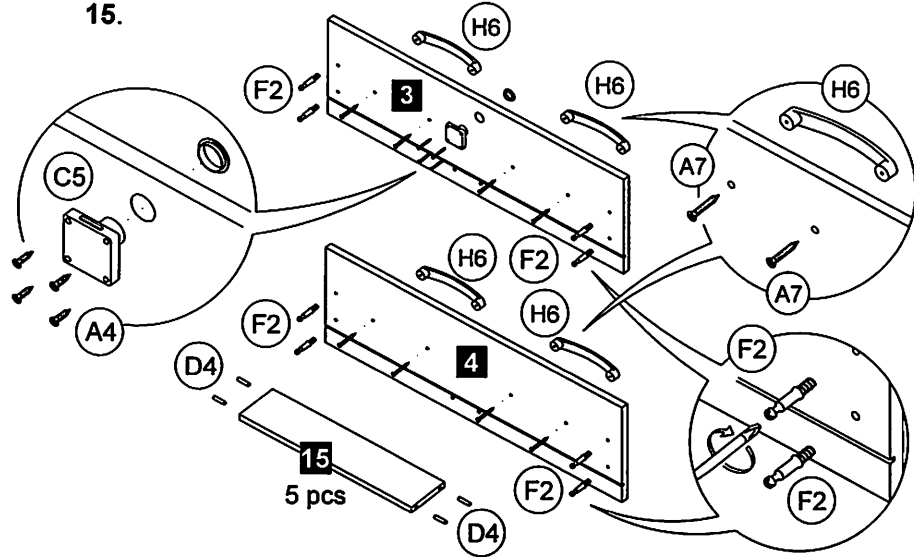
STEP 7 Use Allen Key (N1) to tighten the Crosshead Screw 6.3 x 40mm (A17) & button the screw head with Crosshead Cover (Y) except crosshead screw at panel no. 8.



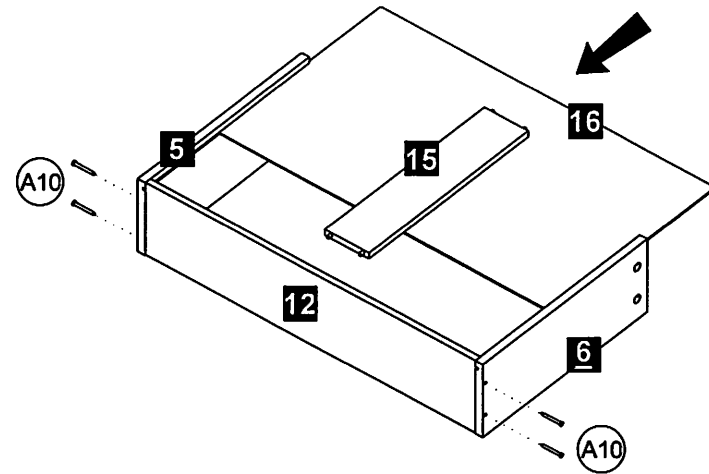
STEP 8 Use Allen Key (N1) to tighten the Crosshead Screw 6.3 x 40mm (A17) & button the screw head with Crosshead Cover (Y).



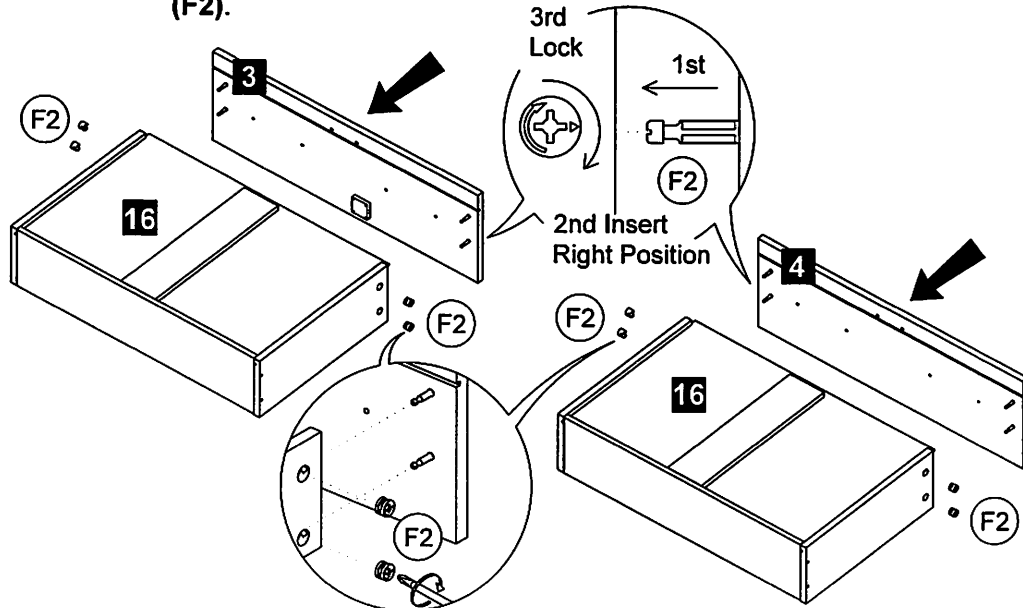
STEP 1 Fix the Mini Fix Bolt (F2) at panel no. 3 & 4. Use Screw (A7) to assemble the Handle (H6) & assemble the Square Lock Set (C5) by using Screw (A4). Insert the Wood Dowel (D4) at 5pcs of panel no. 15.



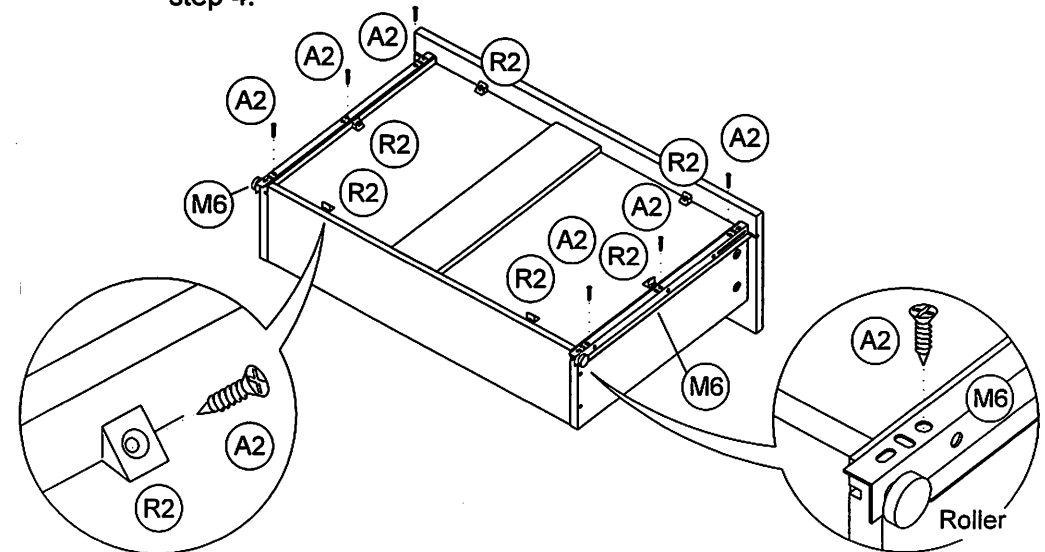
STEP 2 Assemble 5 sets of drawer in repeated at step 2.



STEP 3 Assemble 5 sets drawer head panel no. 3 & 4 by using Mini Fix 15mm (F2).



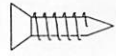
STEP 4 Use Screw (A2) to assemble the Drawer Metal Slide 350mm (M6) & Single Plastic Cap (R2). Assemble 5 sets of drawer in repeated at step 4.



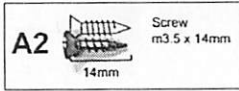
Reference Screw Size.

Place your screw on top to identify the size

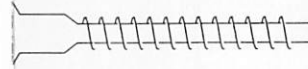
A2 Screw
m3.5 x 14mm



14mm

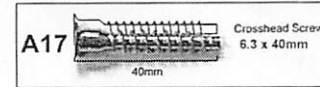


A17

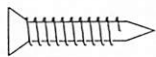


40mm

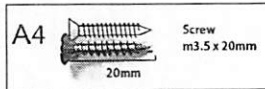
Crosshead Screw
6.3 x 40mm



A4 Screw
m3.5 x 20mm



20mm

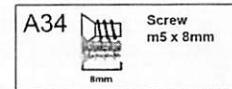


A34

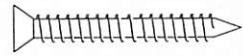


8mm

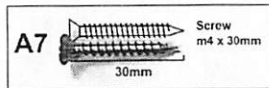
Euro Screw
m5 x 8mm



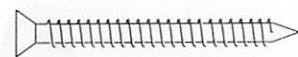
A7 Screw
m4 x 30mm



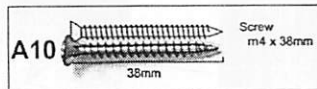
30mm



A10 Screw
m4 x 38mm



38mm


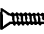

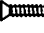
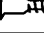
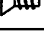
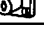
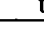
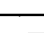
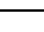
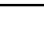




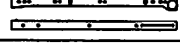

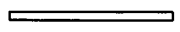

Before you begin, please follow assembly instruction carefully, then follow step by step.

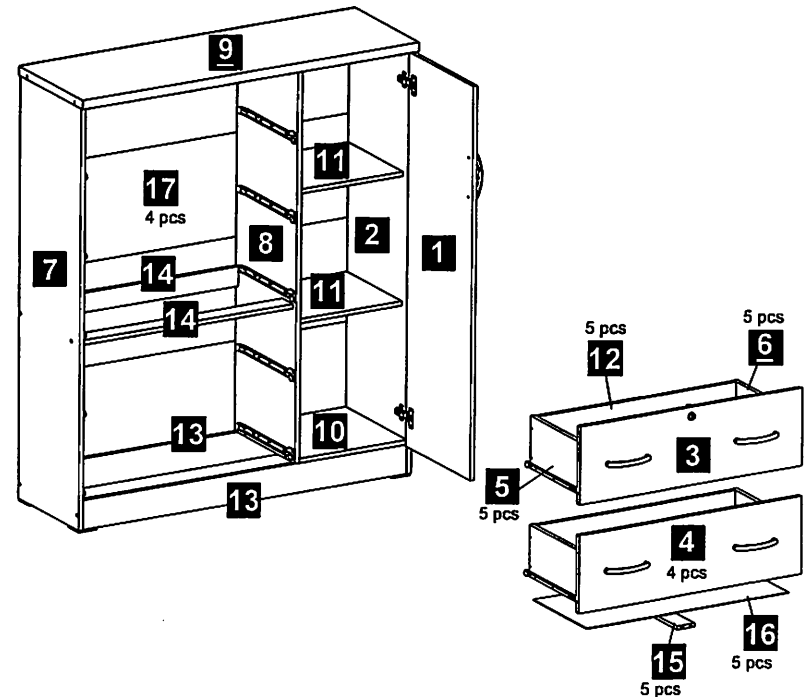
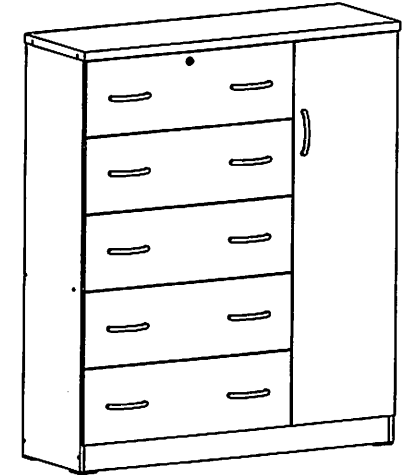
Read instruction carefully. See furniture Parts List and Hardware List for guidance. Be sure you have all parts before you start assembling. Place and assemble furniture on a clean flat soft surface, such as carpet, rug or carton to prevent being scratched.

Reminder :

Please ensure that all surface and edges with colours / laminations are facing forward / outward.

HARDWARE LIST			QTY
A2		Screw m3.5 x 14mm	92
A4		Screw m3.5 x 20mm	4
A7		Screw m4 x 30mm	22
A10		Screw m4 x 38mm	20
A17		Crosshead Screw 6.3 x 40mm	12
A34		Euro Screw m5 x 8mm	20
C5		Square Lock Set	1 Set
C8		Square Lock L Bracket	1
D4		Wood Dowel 6 x 25mm	20
D6		Wood Dowel 8 x 25mm	8
E8		Hinges 5/8"	2

F2		Mini Fix 15mm	26 Sets
H6		Handle 128mm (Silver)	11
L1		Leg Pin	2
L2		Plastic Leg L Shape	4
M6		Drawer Metal Slide 350mm	5 Sets
N1		Allen Key	1
N3		Nail	40 (+-3)
P		Hanging Steel Pipe 18mm x 396mm	1
Q4		Plastic Shelf Support With Steel Pin	8
R2		Single Plastic Cap	30
S2		Door Stopper	1
Y		Crosshead Cover	10



Each pack have contain different type hardware and size of screw for easy assemble. Please refer to page 2, check a screw size.

CAUTION

MATERIAL USE LAMINATED PARTICLE BOARD, TO CLEAN USE SOFT, DRY CLOTH. DO NOT USE DETERGENT OR CHEMICAL. AVOID CONTACT WITH WATER AND DIRECT SUNLIGHT. TO BE ASSEMBLED ON A SOFT, DRY, CLEAN SMOOTH SURFACE.



USE OF POWER TOOLS TO ASSEMBLE THIS PRODUCT WILL INVALIDATE ANY CLAIM AND MAY DAMAGE THIS PRODUCT MAKING IT UNSAFE.