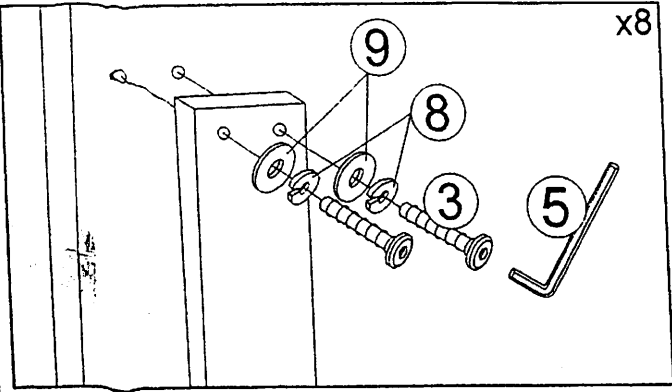
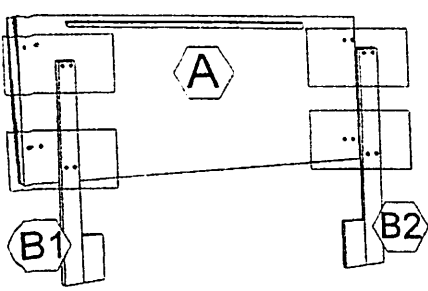
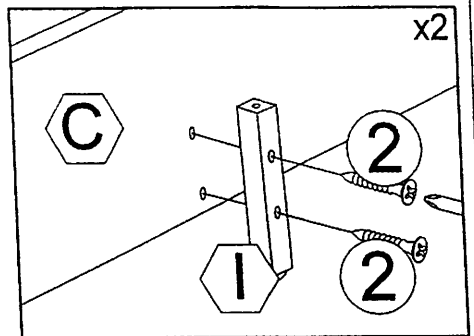
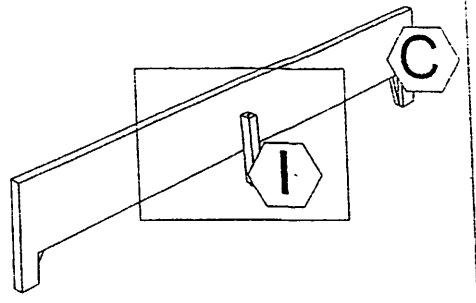
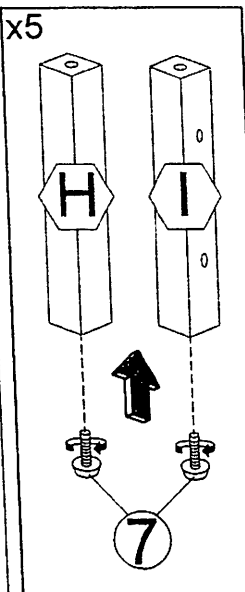


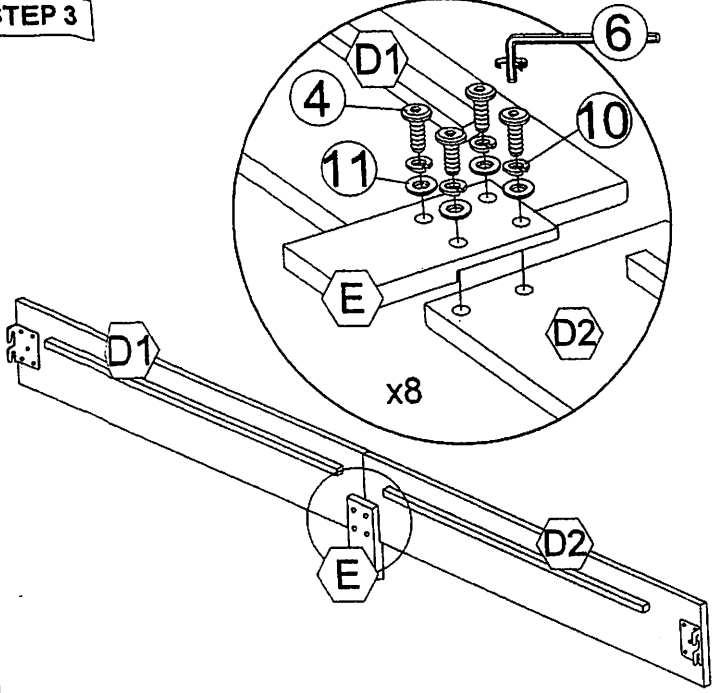
STEP 1



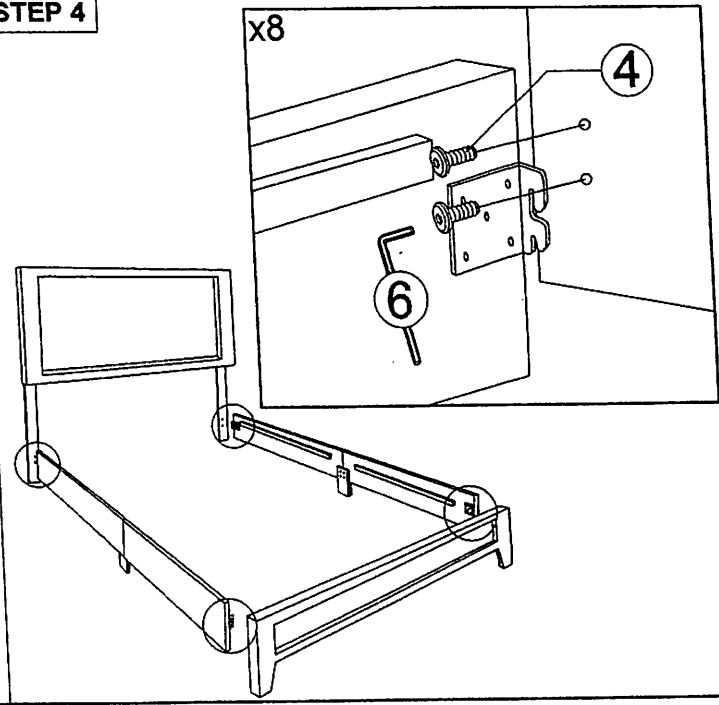
STEP 2



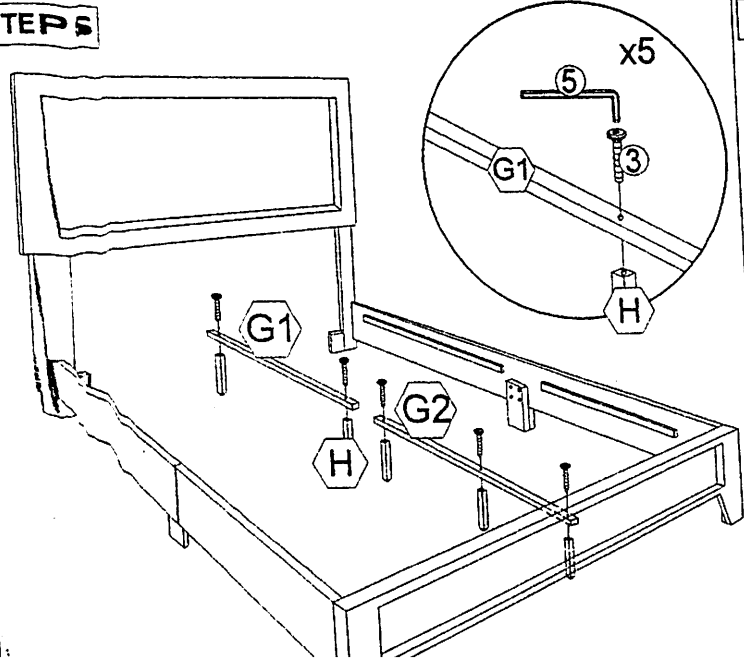
STEP 3



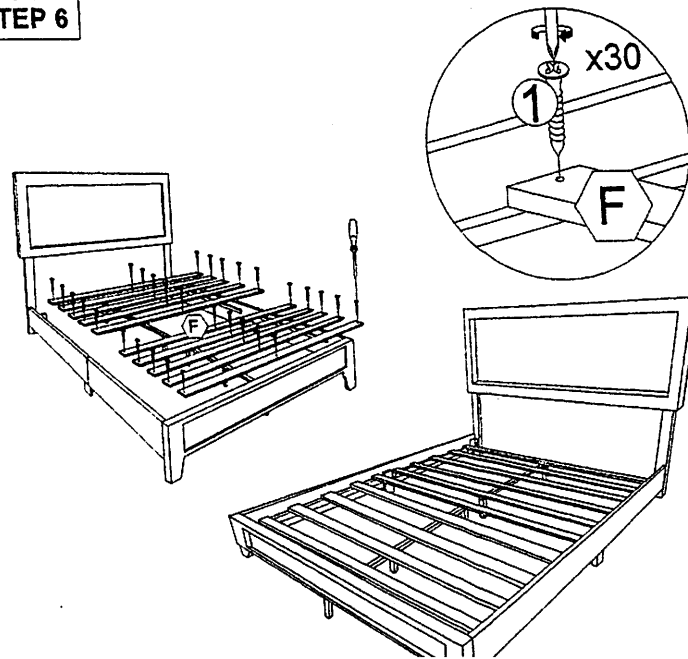
STEP 4



STEP 5



STEP 6

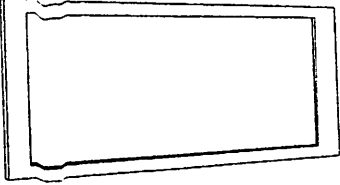
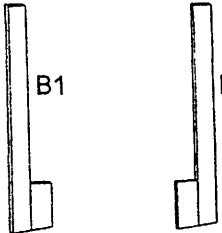
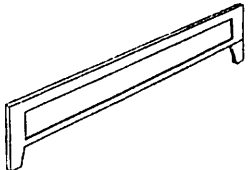
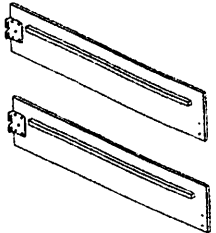
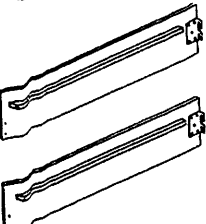
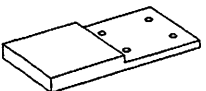

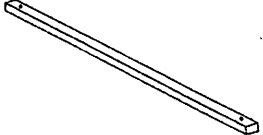
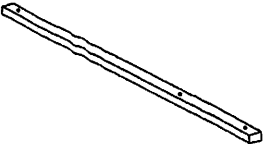




# MODEL : FOX WOOD QUEEN BED

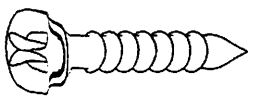
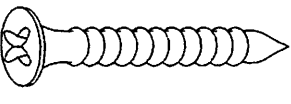
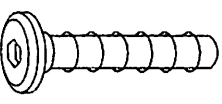
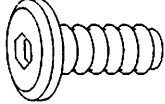


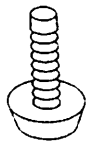

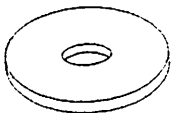

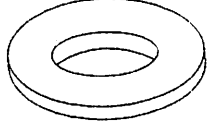

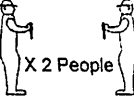
# ASSEMBLY INSTRUCTIONS

**Important note :** - Place all wooden part on a clean and smooth surface such as rug or carpet to avoid the part from being scratch.  
 - Please follow the assembly instruction step by step.  
 - Do not tighten all screw until the bed is fully set up.

## PART LIST

x1  (A) HEADBOARD	x2  (B) HEADBOARD LEG	x1  (C) FOOTBOARD	x2  (D1) SIDE PANEL
x2  (D2) SIDE PANEL	x2  (E) SIDE RAIL SUPPORT	x10  (F) SLAT	x1  (G1) CENTER RAIL
x1  (G2) CENTER RAIL	x4  (H) CENTER SUPPORT LEG	x1  (I) CENTER SUPPORT LEG	

## HARDWARE LIST

x30  (1) CSK M4 x 25mm	x2  (2) CSK M4 x 32mm	x13  (3) JCBC M6 x 45mm	x16  (4) JCBB M8 x 20mm		
x1  (5) ALLEN KEY M4	x1  (6) ALLEN KEY M5	x5  (7) ADJUSTER	x8  (8) M6 SPRING WASHER	x8  (9) M6 FLAT WASHER	
x8  (10) M8 SPRING WASHER	x8  (11) M8 FLAT WASHER	 SCREW DRIVER NOT INCLUDED		 X 2 People	