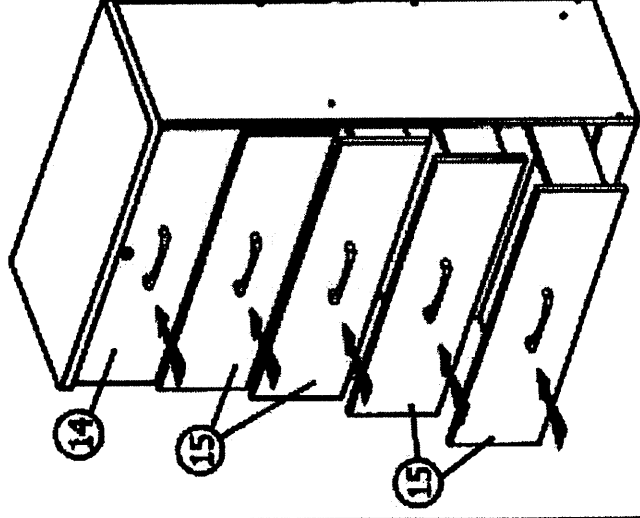
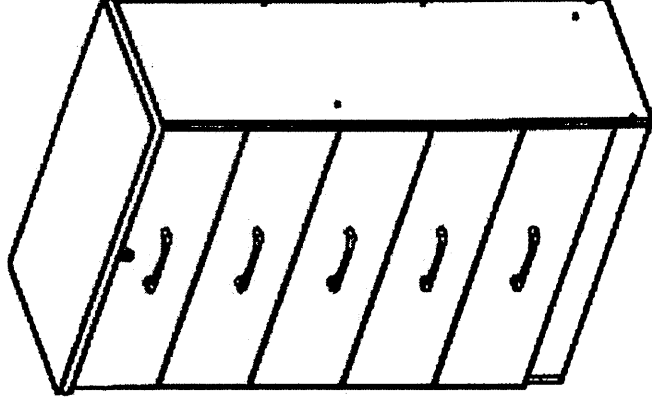
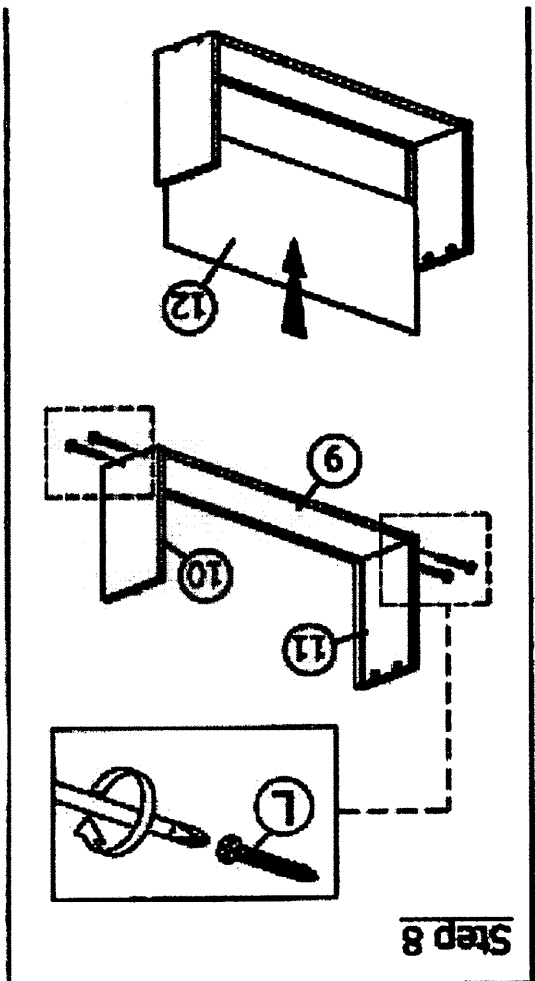
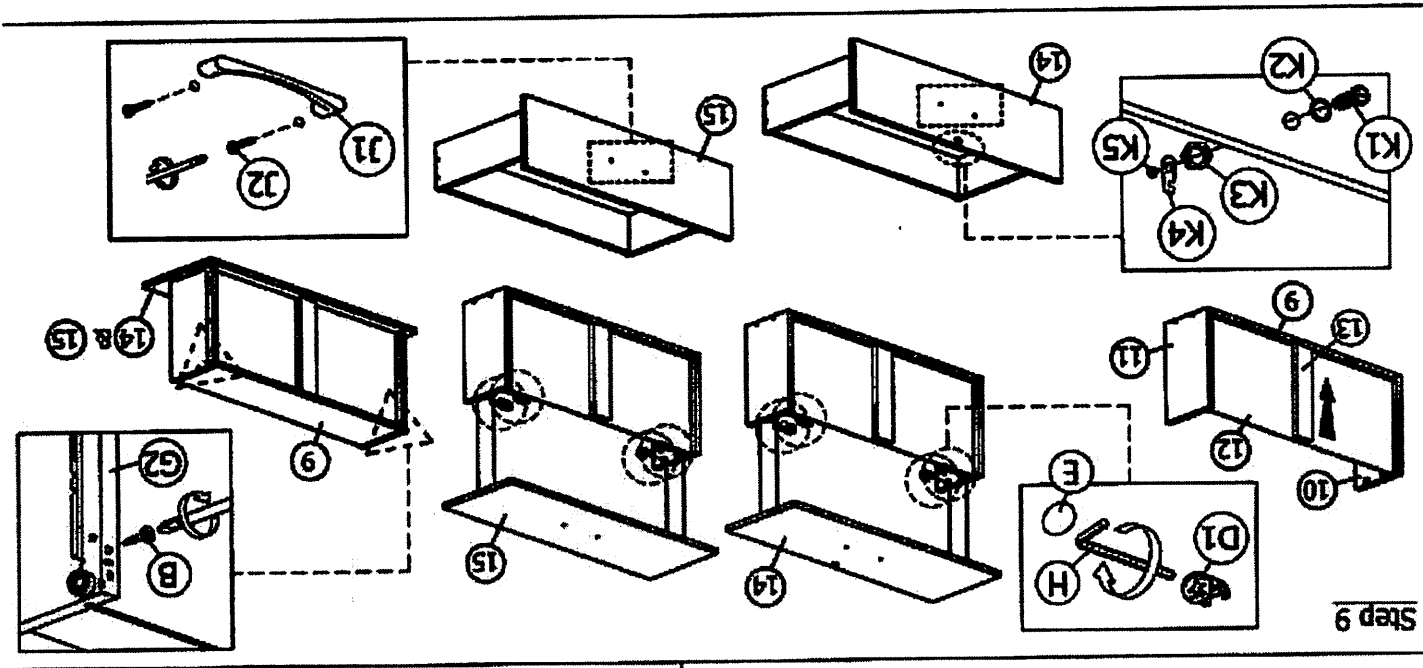


Step 10

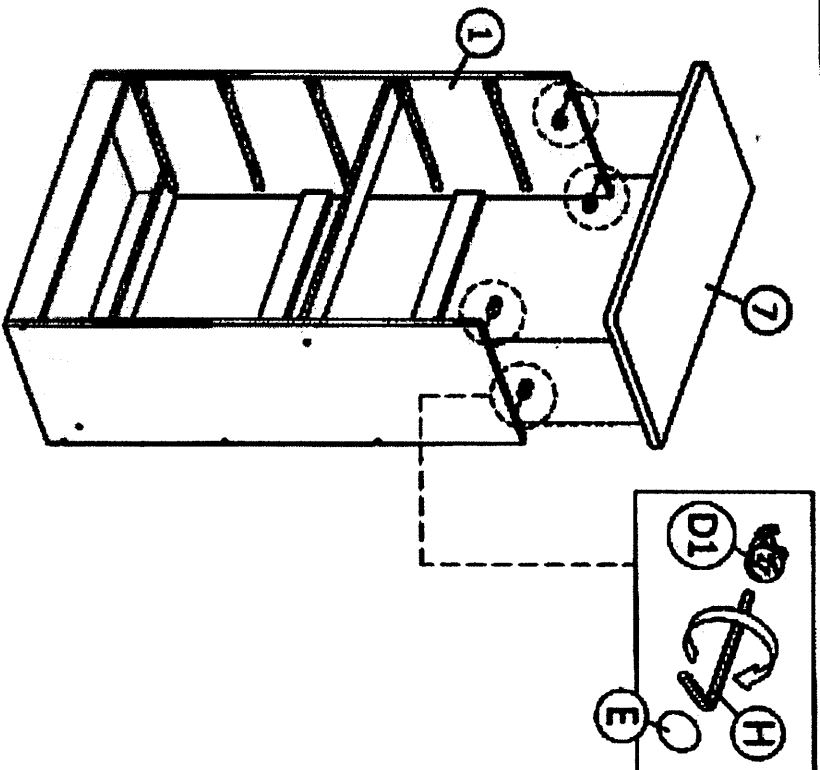


Completed

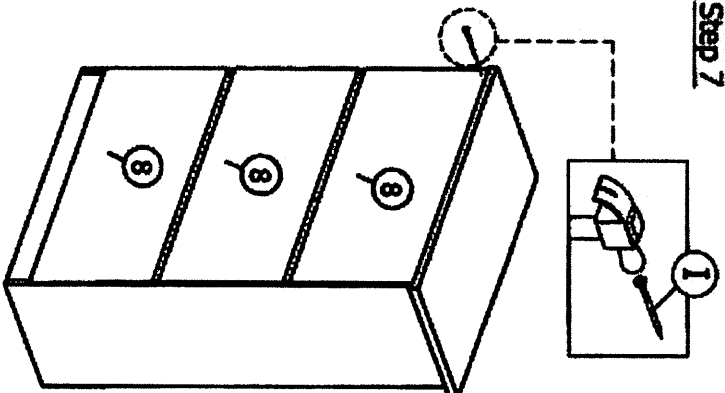


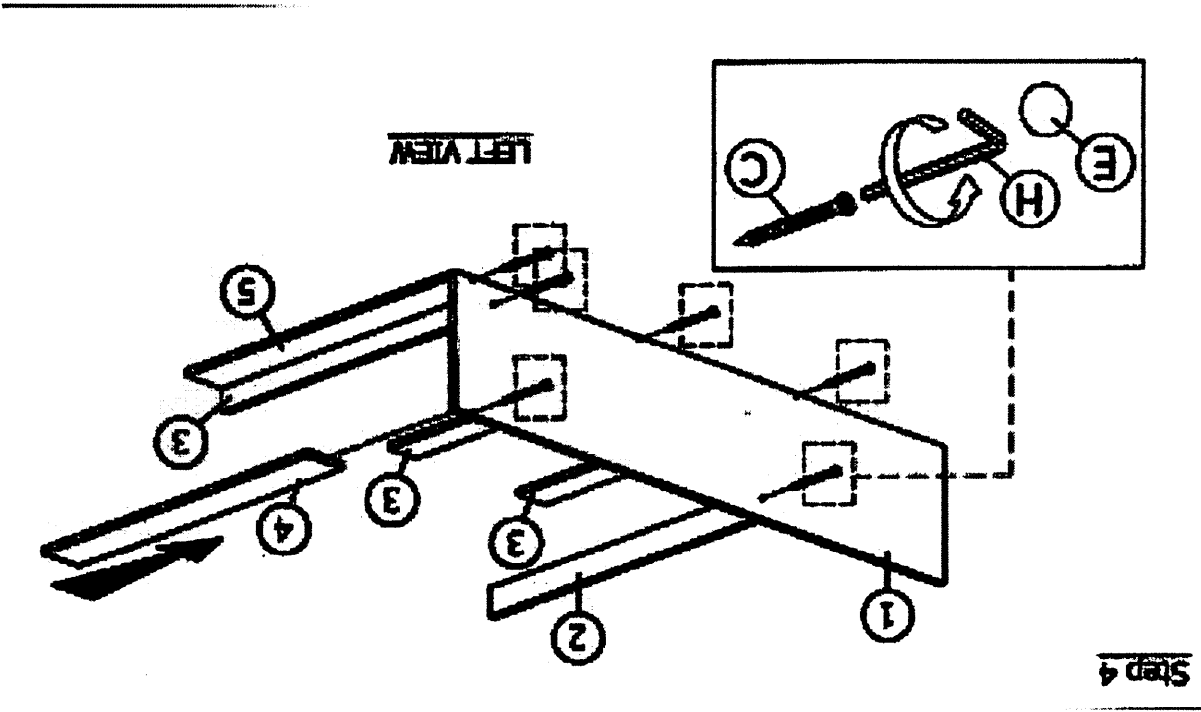
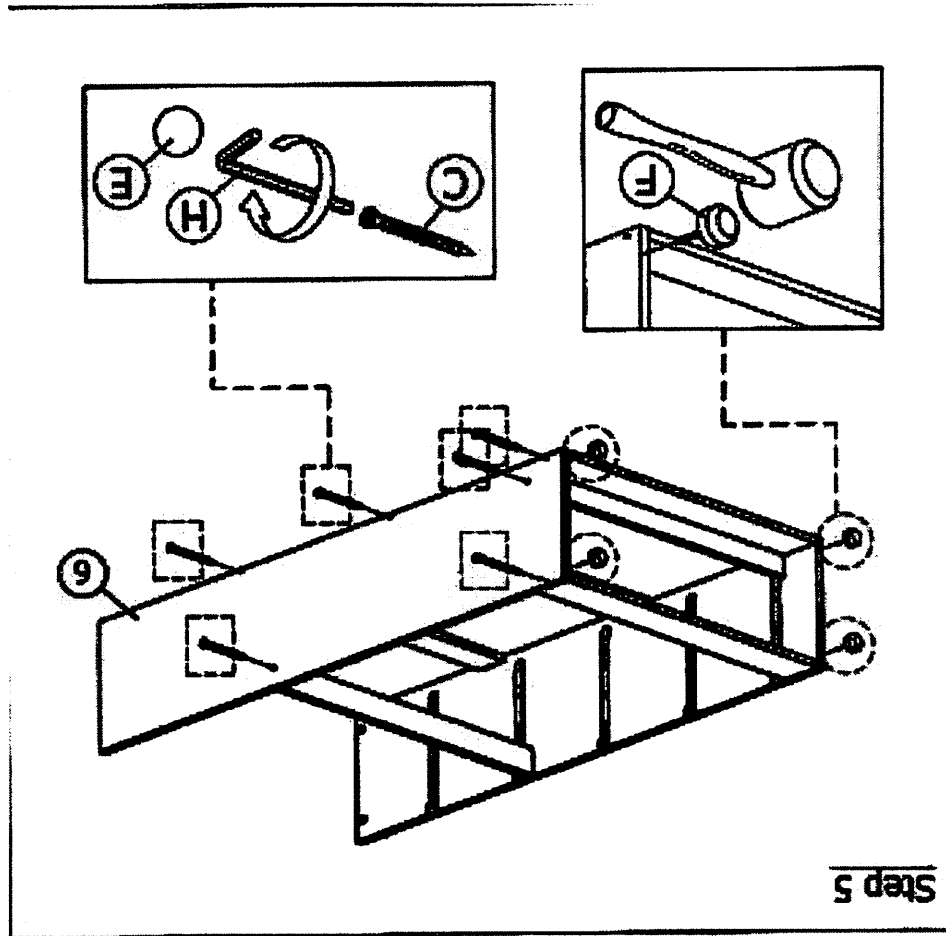


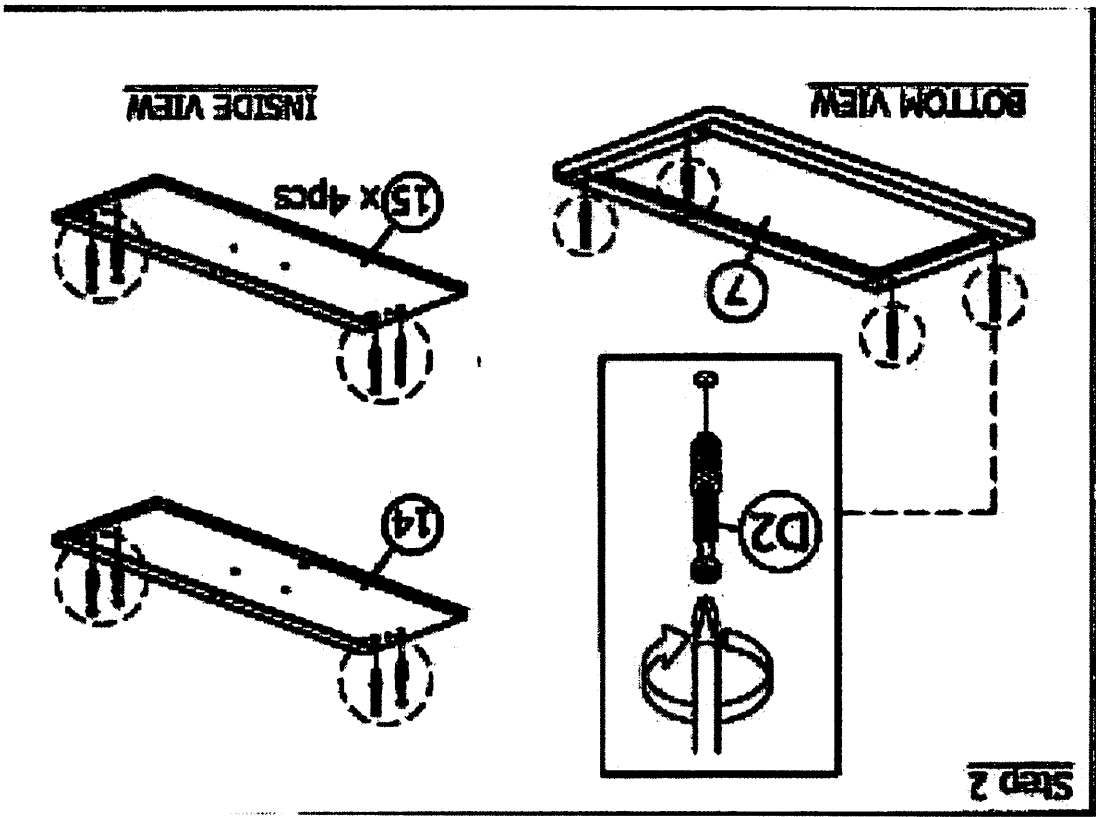
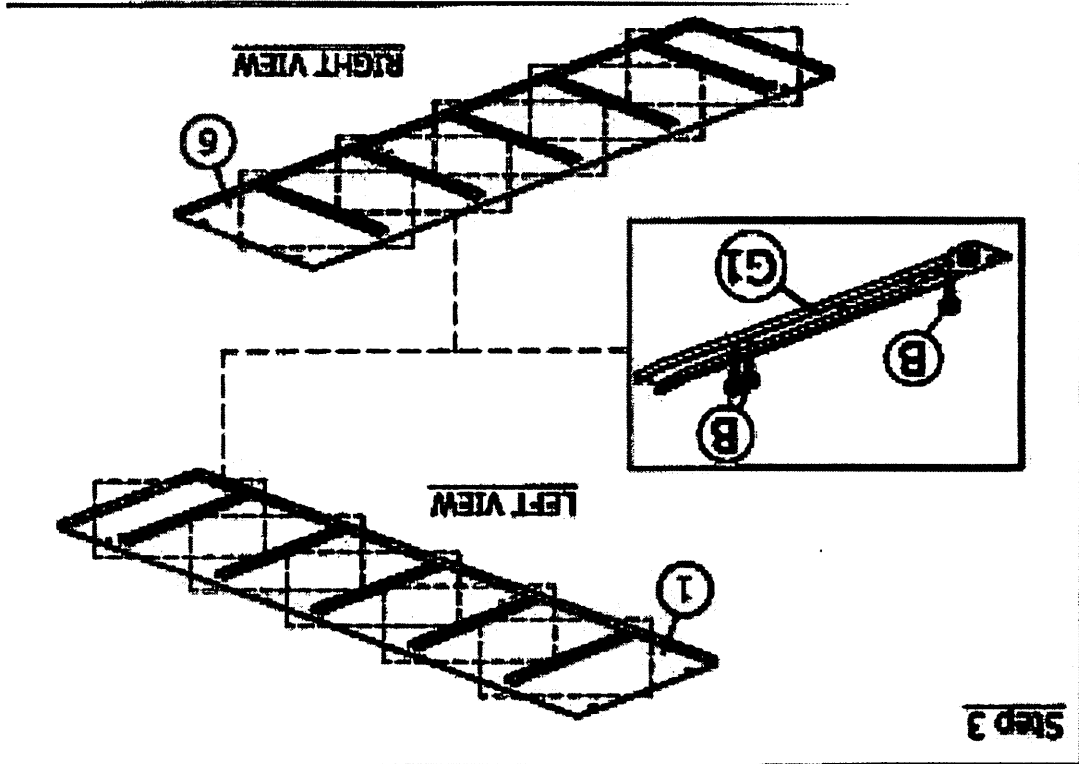
Step 6



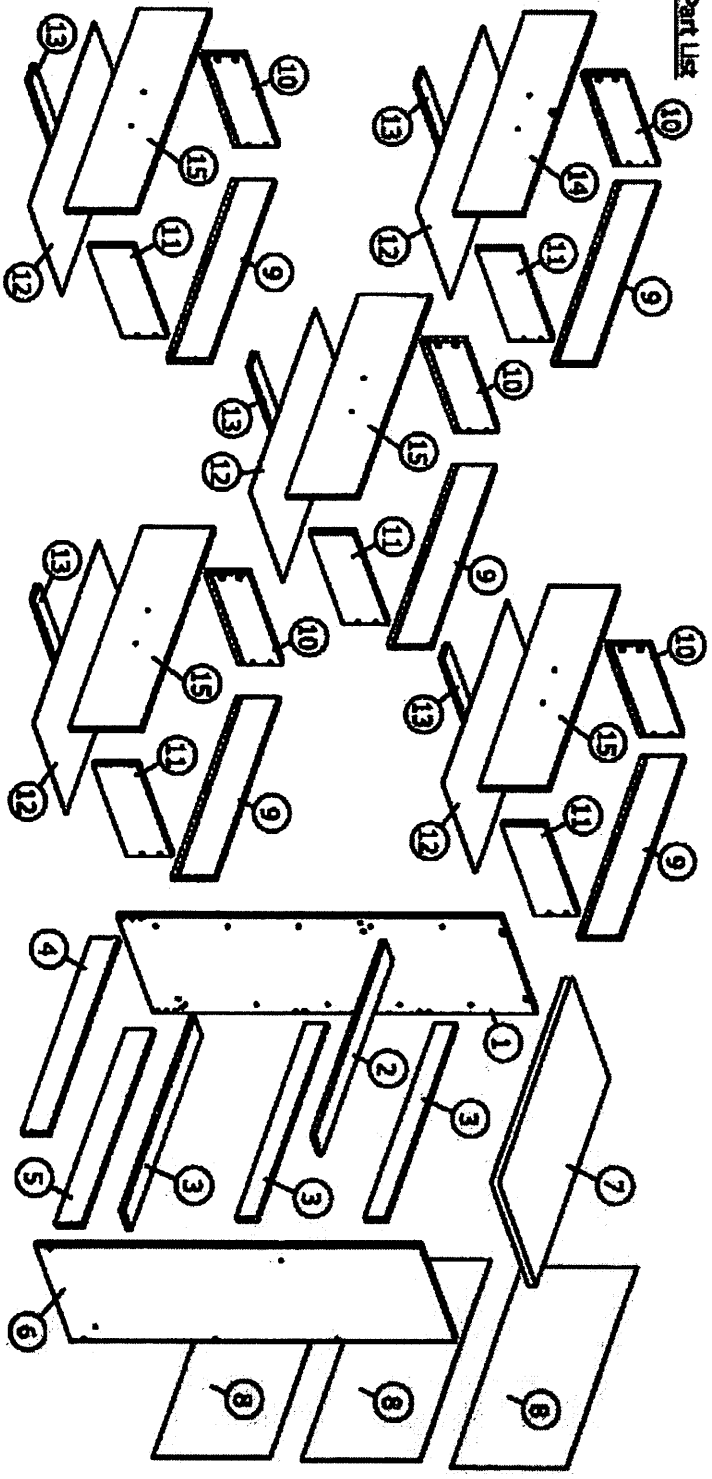
Step 7



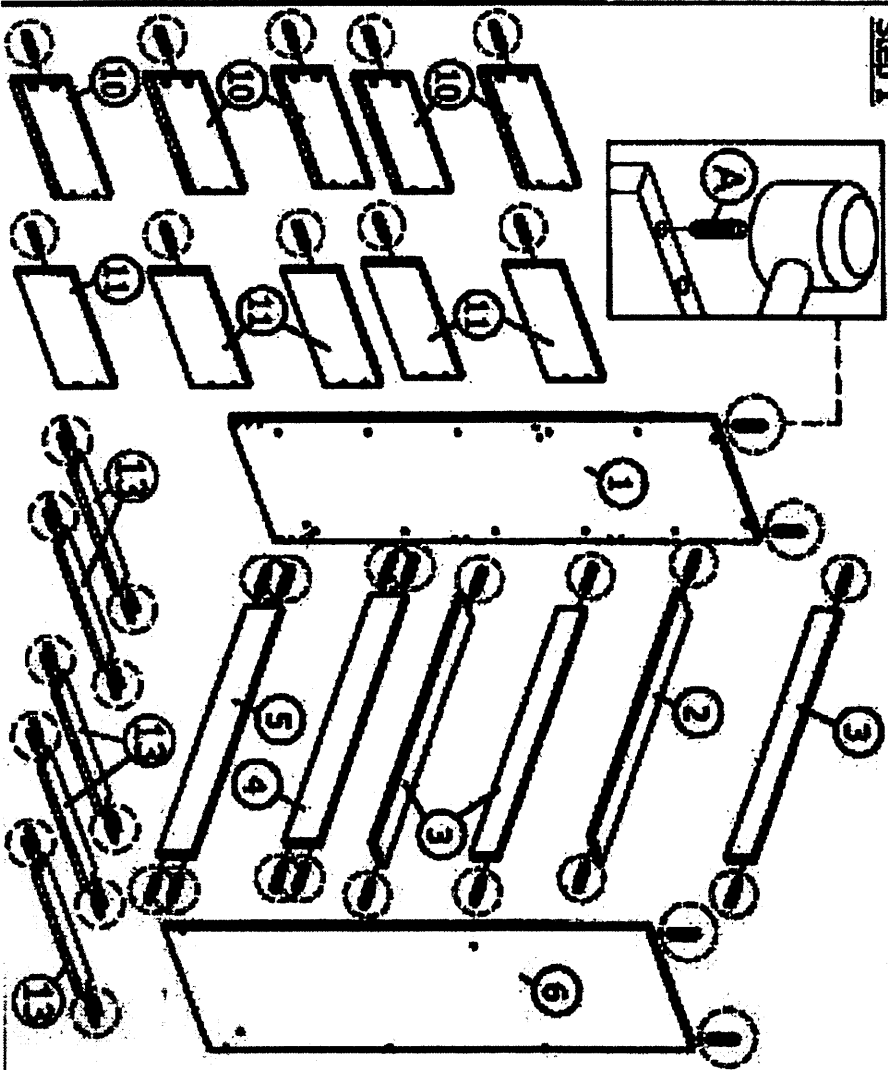




Part List



STEP 1



ASSEMBLY INSTRUCTION

MODEL : COD 5954 - 5 DRAWER CHEST WITH 1 LOCK (SLD5)

	SOFT, DRY CLOTH	CHEMICAL	HEAT	KEEP DRY	HANDLE WITH CARE	DO NOT USE KNIFE

HARDWARE	A	B	C	D	E	F
	PLASTIC DOWEL 8x25 1X50	CSK SCREW M3.5x12 1X60	CSK CAP M6x40 1X12	MINIFIX 5654 24 SETS	CAP 1X36	PLASTIC PIN 1X4

H	I	J	K	L
ALLEN KEY 1X1	POWER NAIL 1/4" 1X114	HANDLE 2838 (128mm)-PVC 1X5	CAM LOCK 1 SET	CSK SCREW M6x25 1X20