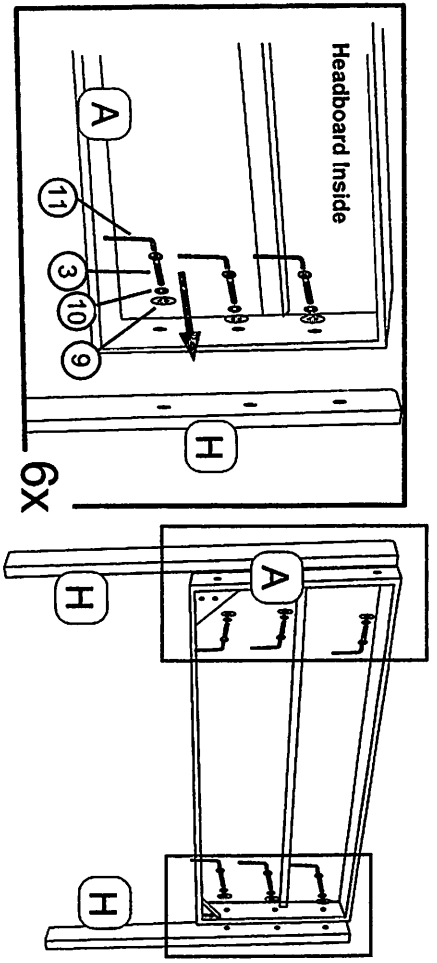
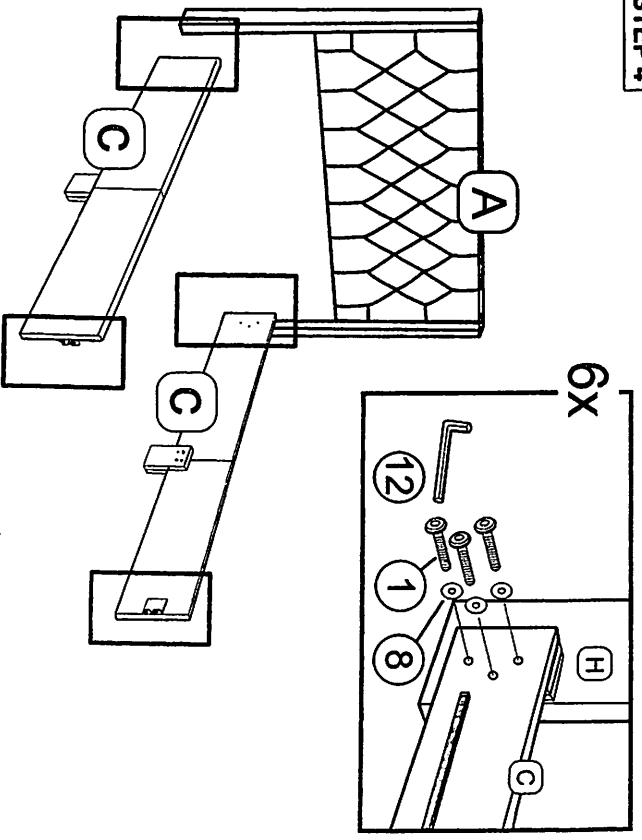


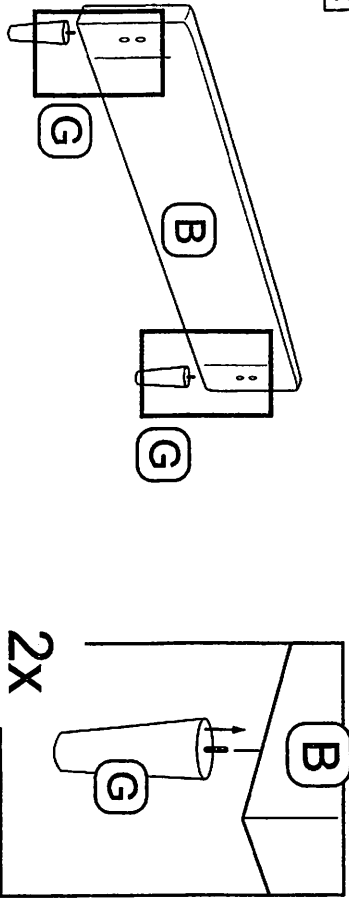
STEP 1



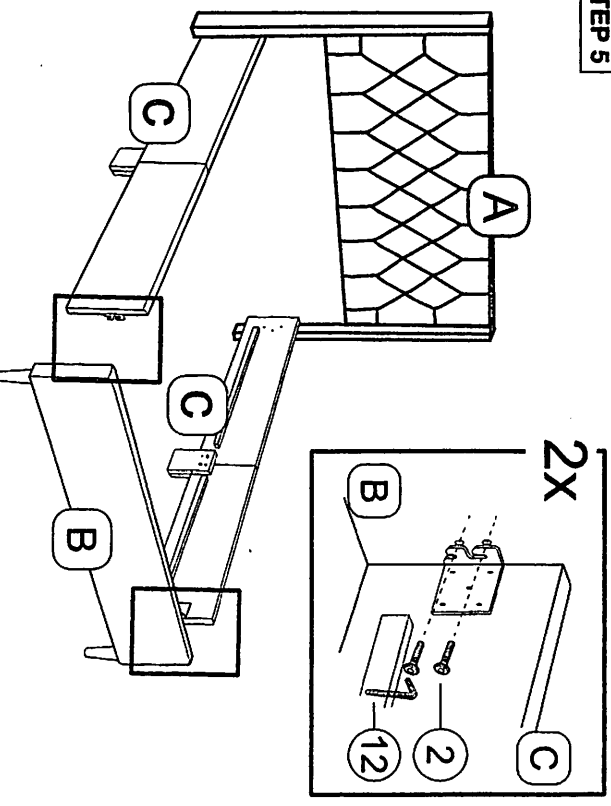
STEP 4



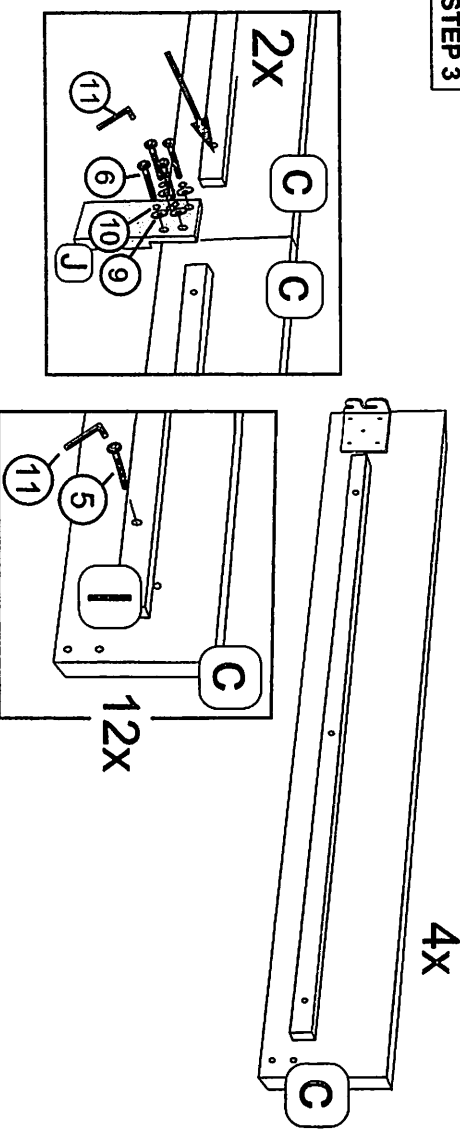
STEP 2



STEP 5



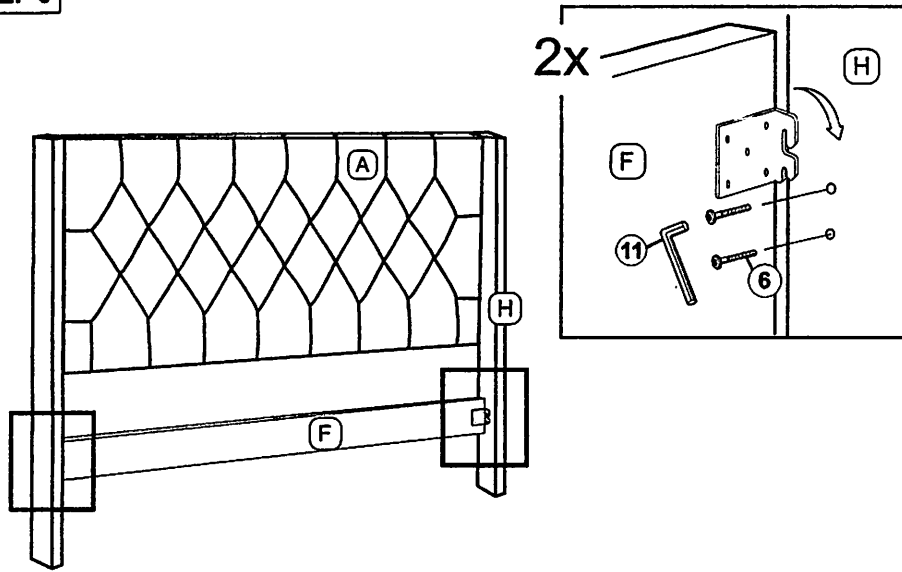
STEP 3



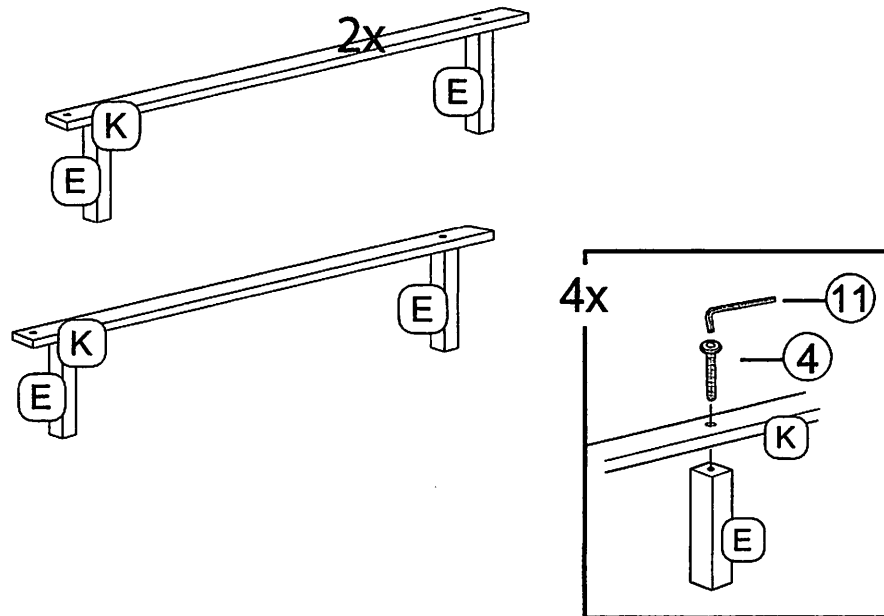
MODEL: INFI2868/AMELIA QUEEN & FULL BED

ASSEMBLY INSTRUCTIONS

STEP 6



STEP 7



NO	PART LIST	QTY
A	HeadBoard	1 pc
B	FootBoard	1 pc
C	Side Rail	4 pcs
D	Bed Slat	10 pcs
E	Center Support Leg	4 pcs
F	Support Bar	1 pc
G	FootBoard Leg	2 pcs
H	Headboard Wing	2 pcs
I	Slat Support	4 pcs
J	Side Rail Support Leg	2 pcs
K	Center Support Rail	2 pcs

No	Hardware List	QTY
1	JCBB M8 x 70mm	6 pcs
2	JCBB M8 x 20mm	4 pcs
3	JCBC M6 x 50mm	6 pcs
4	JCBC M6 x 40mm	4 pcs
5	JCBC M6 x 30mm	12 pcs
6	JCBC M6 x 25mm	12 pcs
7	CSK M4 x 32mm	24 pcs
8	Flat Washer M8	6 pcs
9	Flat Washer M6	14 pcs
10	Spring Washer M6	14 pcs
11	Allen Key M4	1 pc
12	Allen Key M5	1 pc

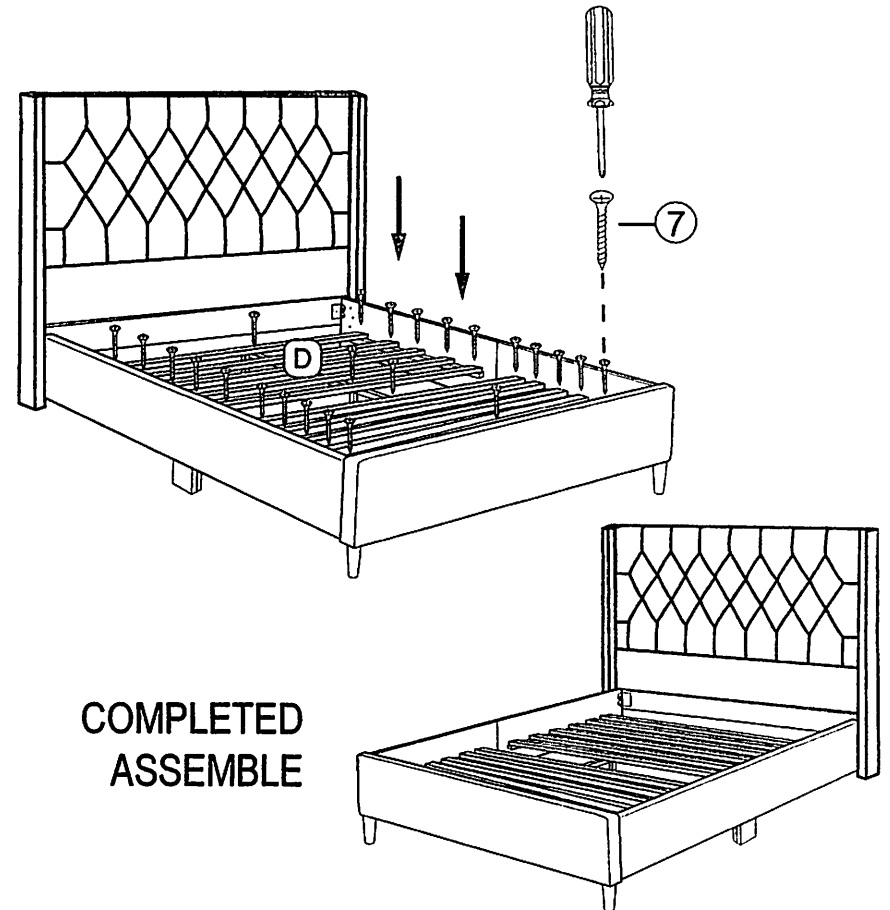
Read this instruction carefully. Remove all wrapping material, staples and straps from the carton. See hardware and furniture part list for guidance. Be sure you have all wooden furniture parts on a clean and flat soft surface, such as a carpet or rug, to prevent from being scratched.

CAUTION:

1. Do not FULLY - TIGHTEN the nut or screw until all is ready to assemble.
2. Do not OVER - TIGHTEN the nut or screw to avoid causing damages to the thread.
3. Keep all hardware part out reach of children.



STEP 8



COMPLETED ASSEMBLE