

LED Outdoor Bollard Light

By VONN Lighting

VOB226088BL

VONN

PROJECT:

TYPE:

CATALOG #:

DATE:

Product Description

Vonn Outdoor LED Bollards are constructed in an aluminum body with UV proof powder coating to resist all weather conditions. Such construction offers up to 50000 hours of lifespan along with a 5-Year Limited Warranty. VONN LED Bollards create a sense of style, appearance, and functionality, bringing a definitive uniqueness and charm to the exterior of your home and its surroundings.

Specifications

- Lumens: **833.32**
- Watts: **16.83W**
- Voltage: **100 - 277V**
- CRI: **90**
- CCT: **3000K**
- Wet Listed: **IP65**
- Diffuser: **PC**
- Material: **Aluminum with UV Powder Coating**
- Finish: **Black**
- Lifetime: **50,000 Hours**
- Transformer: **Not Required**
- Driver: **Included**
- ETL: **Certified Yes**
- Warranty: **5-Year Limited**

Dimensions

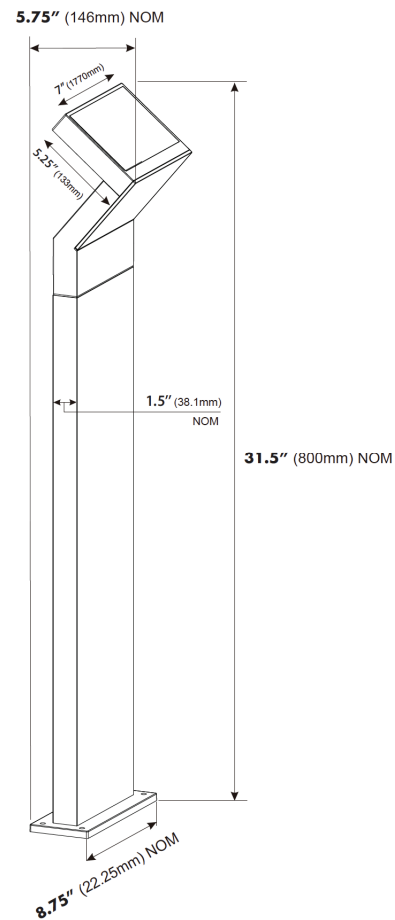
- Fixture: **L 8.75" x W 5.75" x H 31.5"** (22.25mm x 146mm x 800mm)
Measurements rounded to the nearest 1/4"

Lighting

- Color Temperature: **3000K**

Available Finishes

BL



Notes

Theoretical Lumens: XXX LM (subject to change)

Theoretical Wattage: XXX W (subject to change)

***Please note lumens and wattage are subject to change and will be determined post production of the first articles.

*Any custom modifications are subject to minimum order quantity. (M.O.Q.)

© VONN Lighting, 2022

VONN, LLC.
3323 NE 163rd St. PH-706
North Miami Beach, FL 33160
WWW.VONN.COM 888.604.8666

VONN, LLC. reserves the right to make any design changes for continuous improvement which will not affect the overall appearance or performance.

