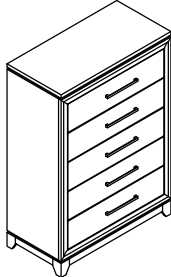






ANTI TIPPING KIT

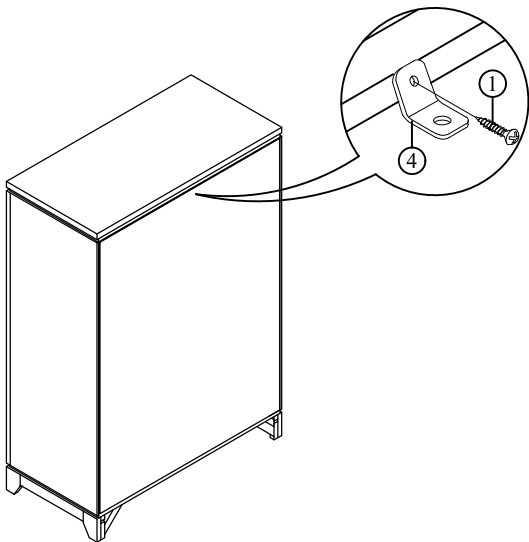
Description : Chest
Item No : B840-C

PARTS IDENTIFICATION		HARDWARE IDENTIFICATION			
A. Chest 	1 pc	1		16mm Screw	1 Pc
		2		50mm Screw	1 Pc
		3		Steel Cable	1 Pc
		4		L Bracket	2 Pcs

THIS TIP RESTRAINT MUST BE ATTACHED TO A WALL STUD USING 50mm SCREW ENCLOSED

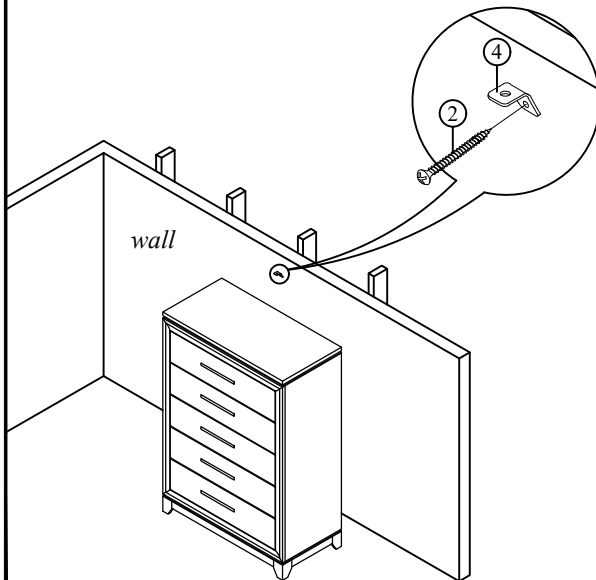
STEP 1

Using one of the included L brackets and a 16mm screw, attach the bracket to the top back rail of the chest. Please note that the bracket should be secured to the chest through the smaller hole.



STEP 2

Using the remaining L bracket and the provided 50mm screw, position the bracket on the wall over a stud, two inches below the mounting bracket on the back of the chest. Secure the bracket to the wall. Please note that the bracket should be attached to the wall through the smaller hole.



STEP 3

Place the Chest into position so both mounting brackets are vertically in line. Lace the male end of the steel cable through the larger hole in each mounting bracket. Securely connect both ends together by turning the female connector clockwise. Confirm that the steel cable is securely locked.

