

ASSEMBLY INSTRUCTIONS

MODEL : B840-DR

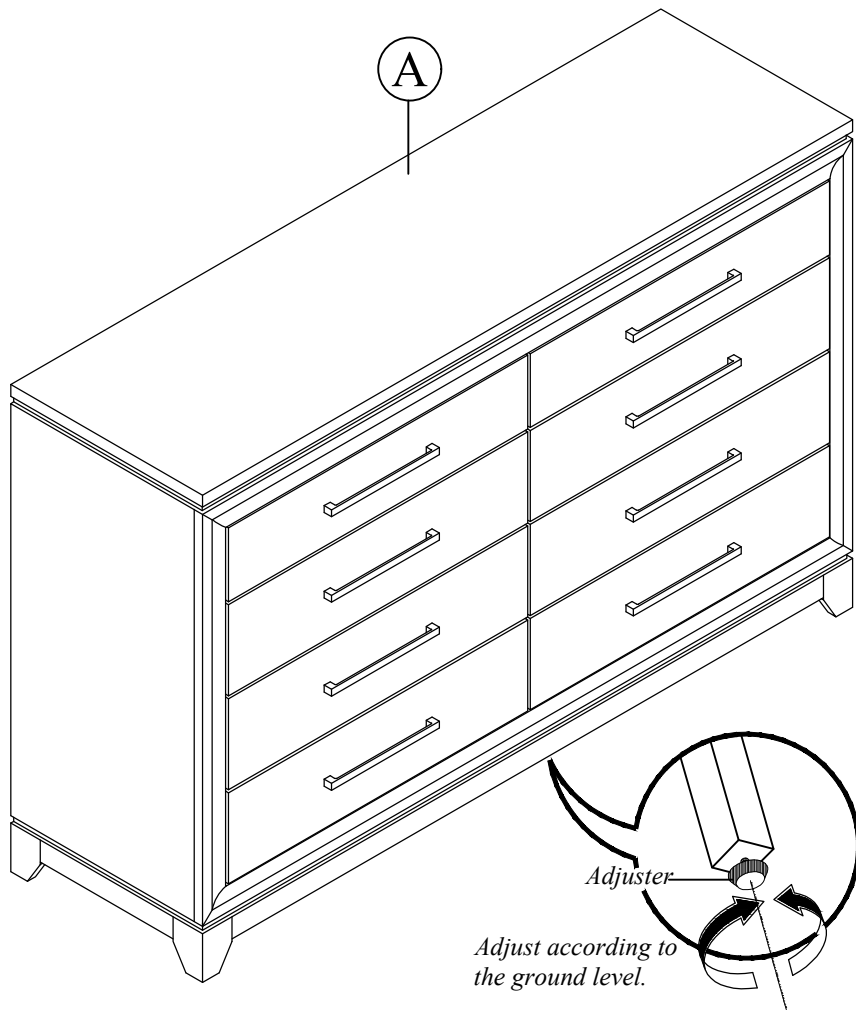
REVISION : A

ASSEMBLY TIPS :

1. If dresser is uneven, please twist the adjuster on the middle leg to level it out.

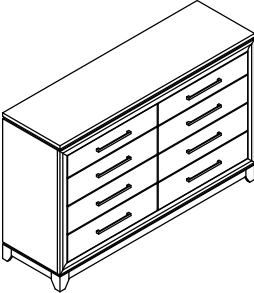




Component List

No	Descriptions	Qty
A	Dresser	1



ANTI TIPPING KIT

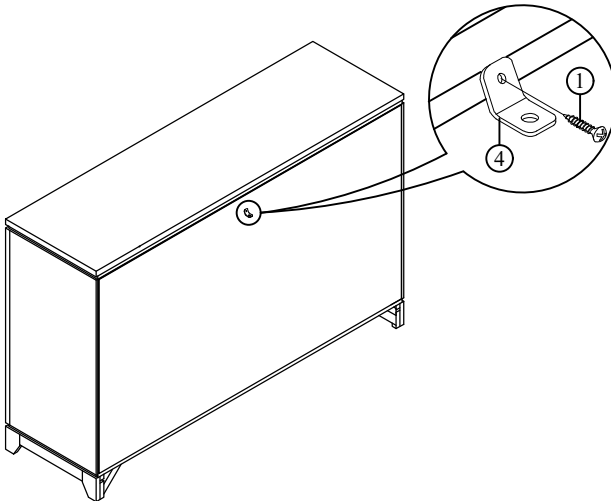
Description : Dresser
Item No : B840-DR

PARTS IDENTIFICATION		HARDWARE IDENTIFICATION			
A. Dresser 	1 pc	1		16mm Screw	1 Pc
		2		50mm Screw	1 Pc
		3		Steel Cable	1 Pc
		4		L Bracket	2 Pcs

THIS TIP RESTRAINT MUST BE ATTACHED TO A WALL STUD USING 50mm SCREW ENCLOSED

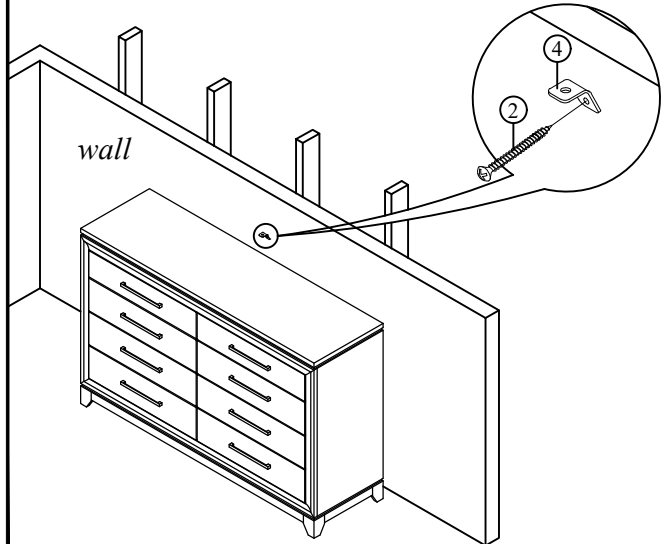
STEP 1

Using one of the included L brackets and a 16mm screw, attach the bracket to the top back rail of the dresser. Please note that the bracket should be secured to the dresser through the smaller hole.



STEP 2

Using the remaining L bracket and the provided 50mm screw, position the bracket on the wall over a stud, two inches below the mounting bracket on the back of the dresser. Secure the bracket to the wall. Please note that the bracket should be attached to the wall through the smaller hole.



STEP 3

Place the Dresser into position so both mounting brackets are vertically in line. Lace the male end of the steel cable through the larger hole in each mounting bracket. Securely connect both ends together by turning the female connector clockwise. Confirm that the steel cable is securely locked.

