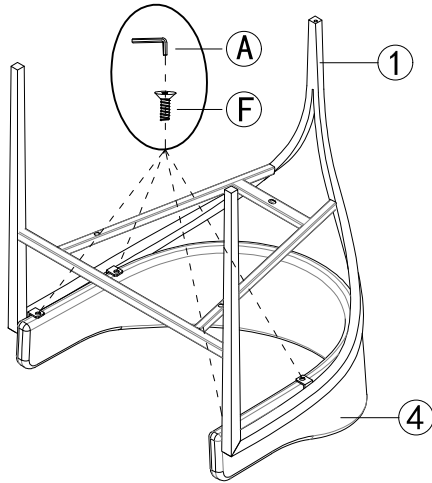
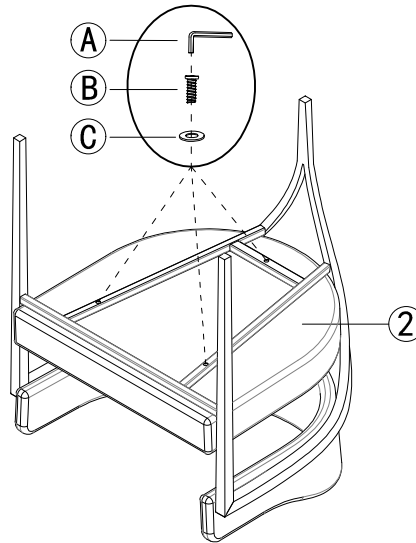


ASSEMBLY INSTRUCTIONS FOR ITEM NO: SC300 - SC307

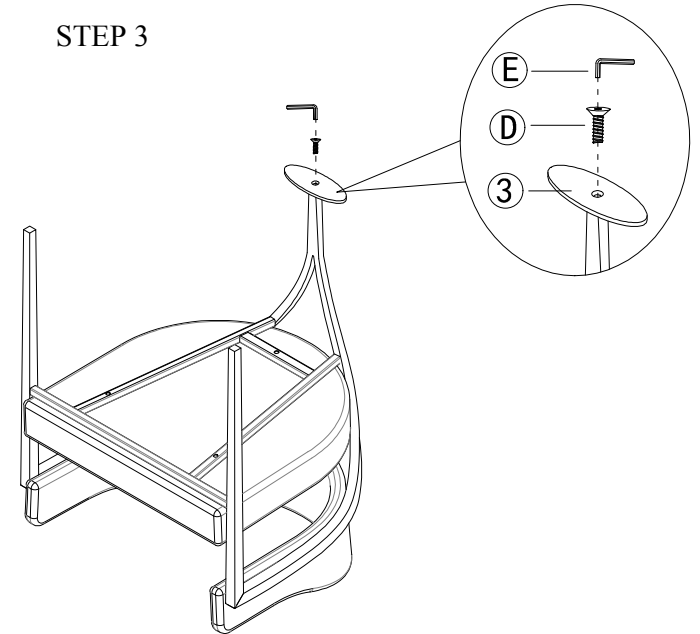
STEP 1



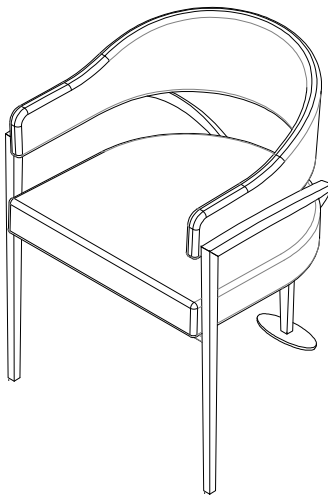
STEP 2



STEP 3



STEP 4



1	2	3	4	A	B	C	D	E	F
1 PC	1 PC	1 PC	1 PC	4.0	M6*35	Ø16	M8*25	5.0	M6*16
1 PC	1 PC	1 PC	1 PC	1 PC	3 PCS	3 PCS	1 PC	1 PC	4 PCS