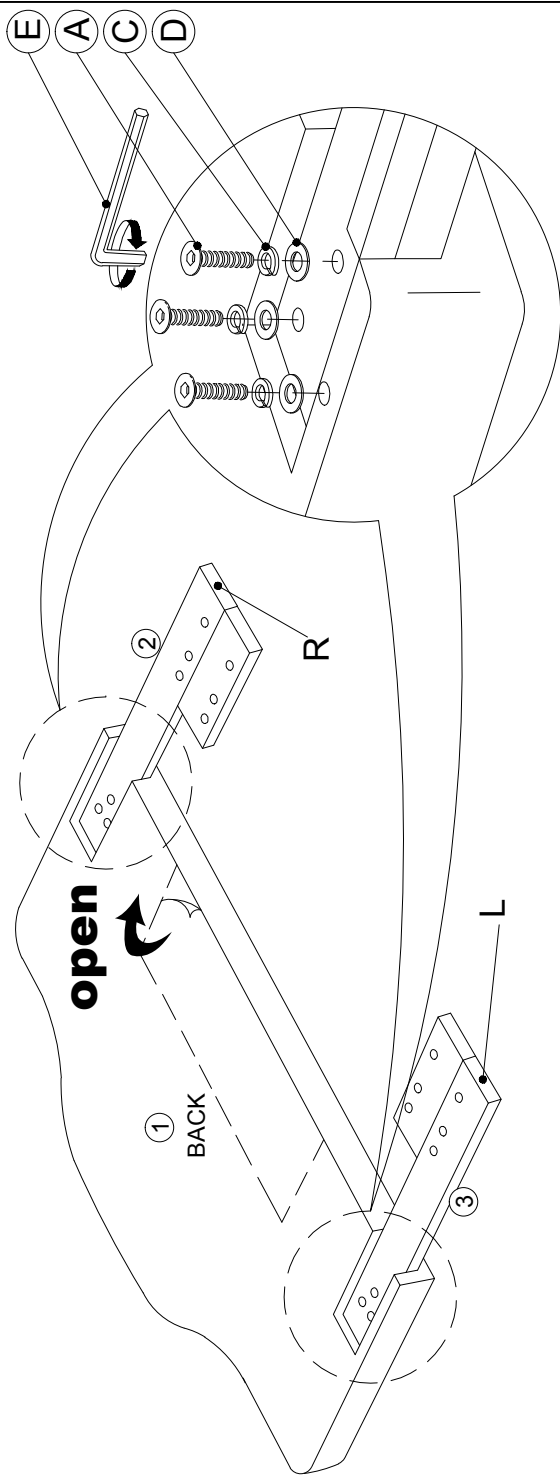
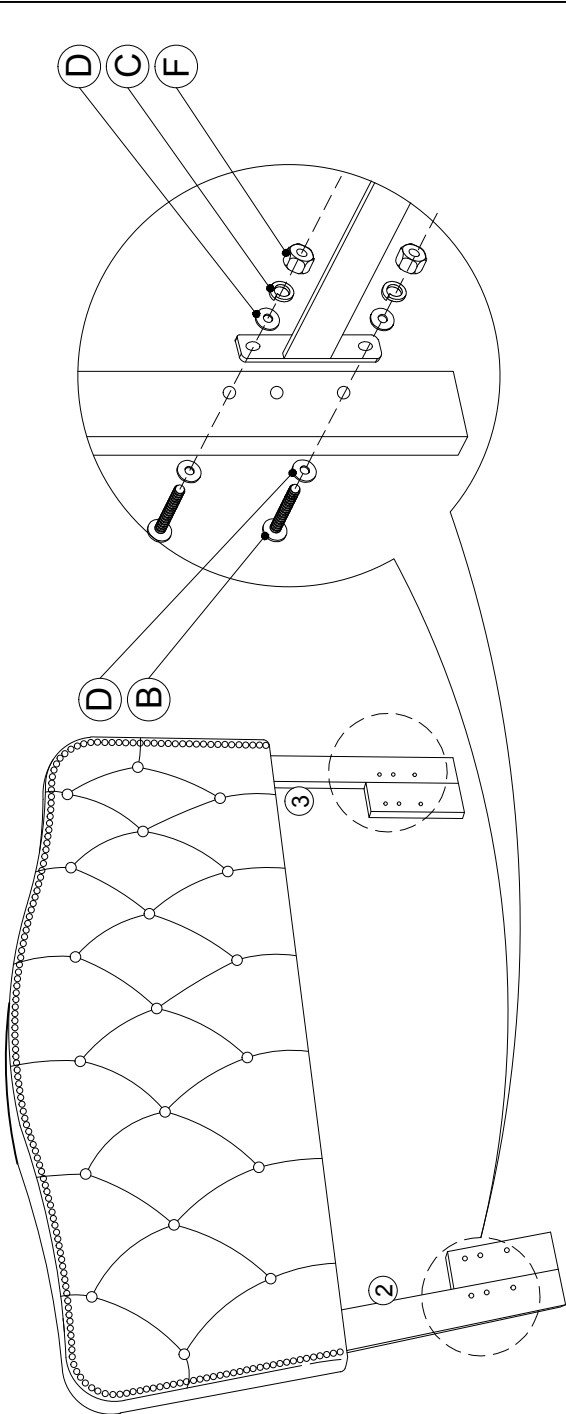


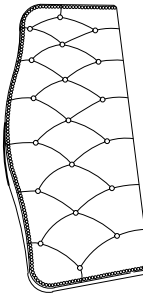
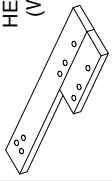
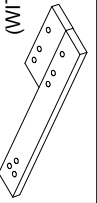






ASSEMBLY INSTRUCTION

STEP 1



STEP 2



ITEM : B85/B86/B100/B101 FULL SIZE BED, QUEEN BED (HEAD BOARD ONLY)		QTY
NO	PART LIST	
1	 HEAD BOARD 1pc	
2	 HEAD BOARD LEG (WITH "R" LABEL) 1pc	
3	 HEAD BOARD LEG (WITH "L" LABEL) 1pc	
NO	HARDWARE LIST	QTY
A	 JCBC SCREW M6 x 40mm 6pcs	
B	 JCBC SCREW M6 x 50mm 4pcs	
C	 SPRING WASHER 10pcs	
D	 FLAT WASHER 14pcs	
E	 L - KEY M4 x 65mm 1pc	
F	 HEX NUT 4pcs	

ATTENTION

**All parts are
inside the Headboard**

NOTE: AFTER A FEW DAYS OF ASSEMBLY, IT WILL HAVE ACCLIMATIZED TO THE ENVIRONMENT. PLEASE TIGHTEN ALL HARDWARE. CHECK TIGHTNESS OF ALL SCREWS EVERY 6-8 WEEKS.