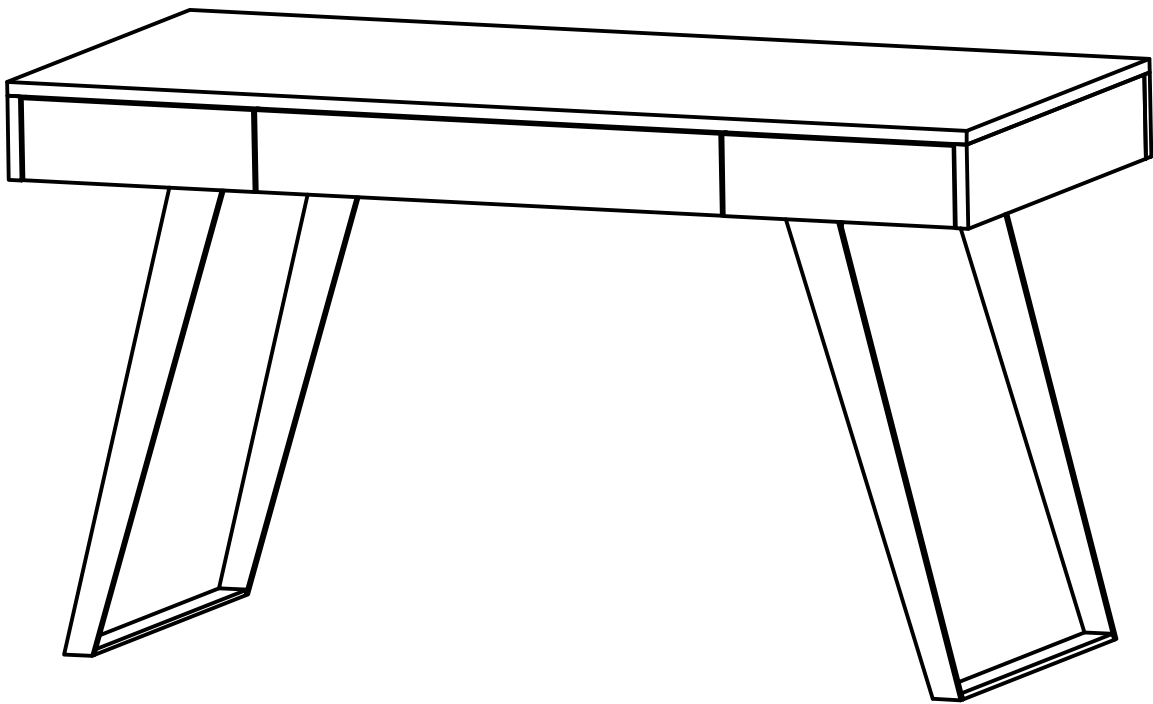


PAOLINI

Sloan 3Dwr Desk

MODEL # - 22107002



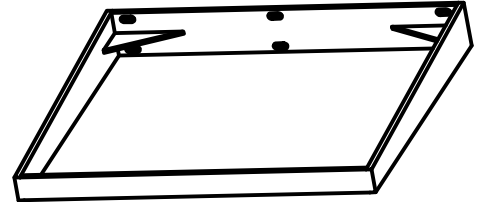
PARTS DESCRIPTION

A



TOP
QTY - 1

B

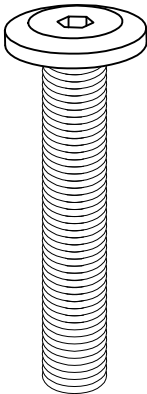


LEGS
QTY - 2

PRE-ASSEMBLY INFORMATION

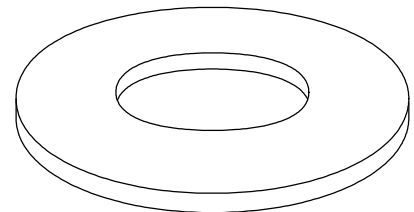
HARDWARE DESCRIPTION

1



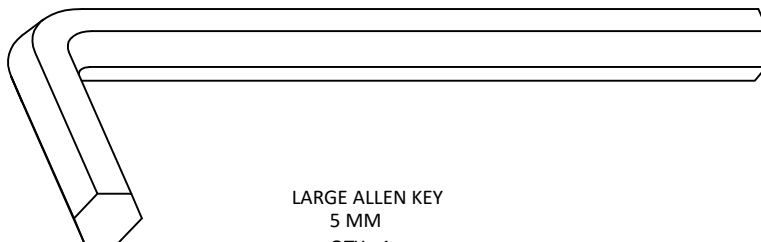
ALLEN KEY BOLT
M 8 X 30 mm
QTY - 12

2

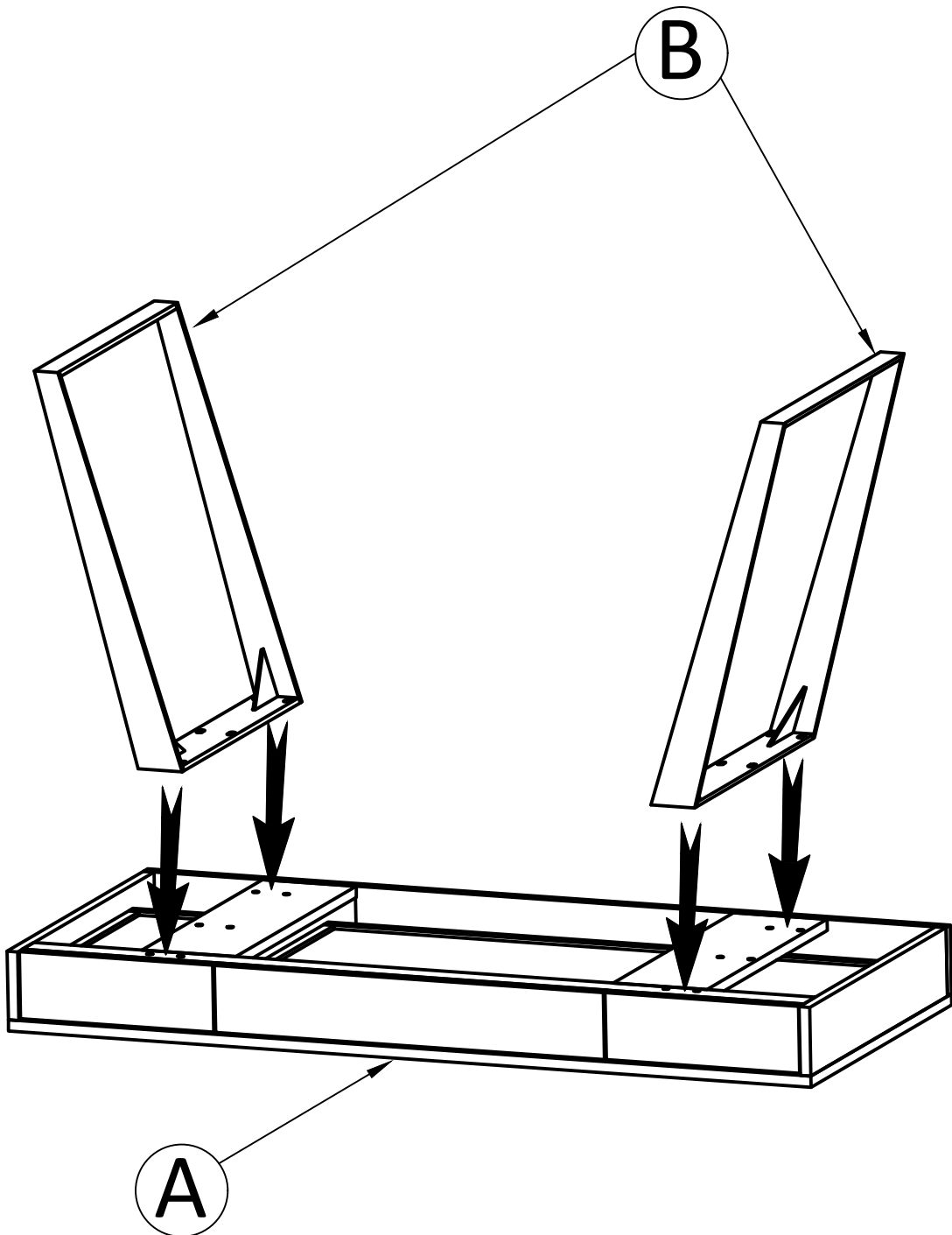


WASHER
8 X 20
QTY - 12

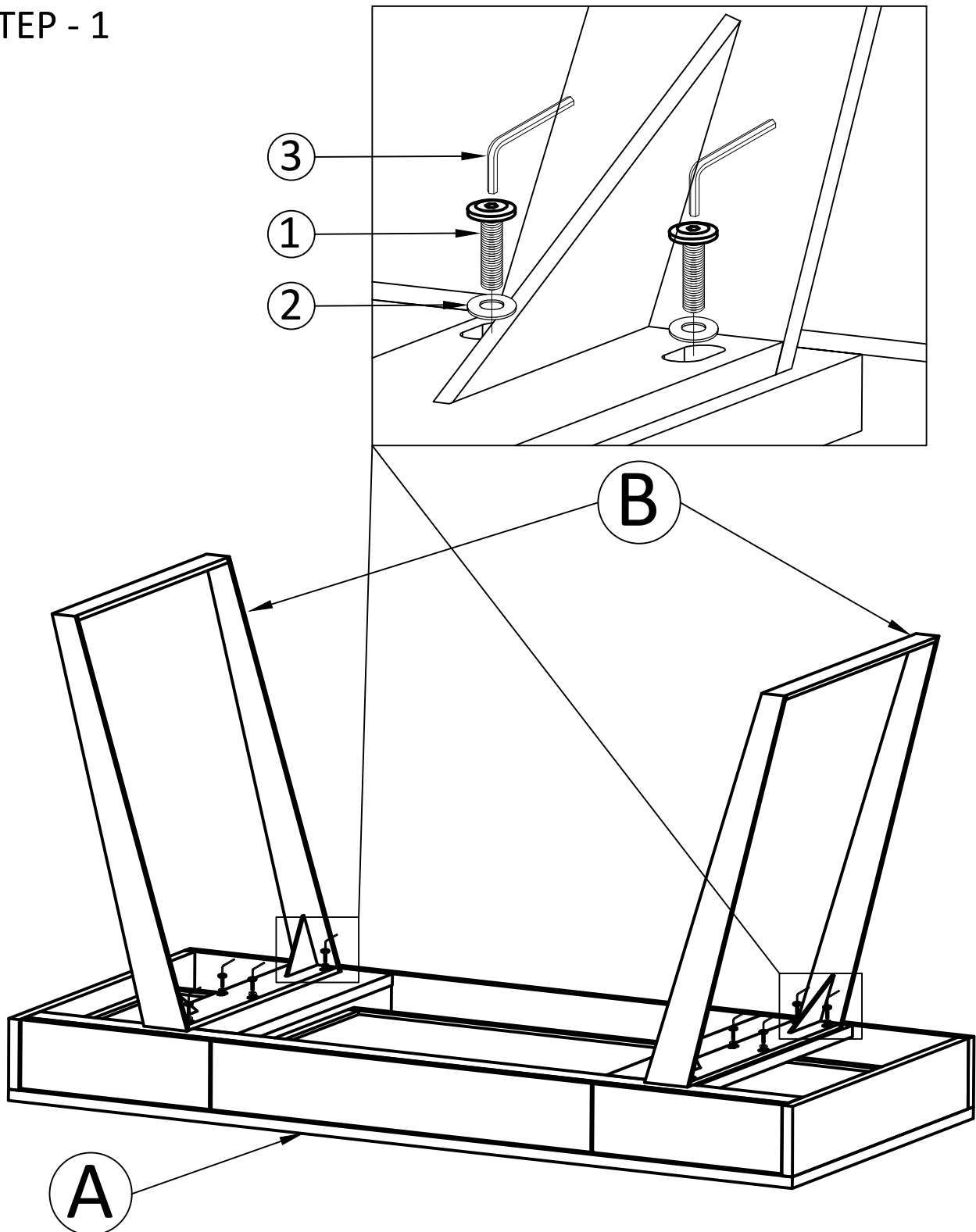
3



LARGE ALLEN KEY
5 MM
QTY - 1



STEP - 1



1. Attach Legs (B) & Top (A) with Allen key Bolts (1) and Washers (2) .
2. Use Large Allen key (3) to tighten.

STEP - 3

