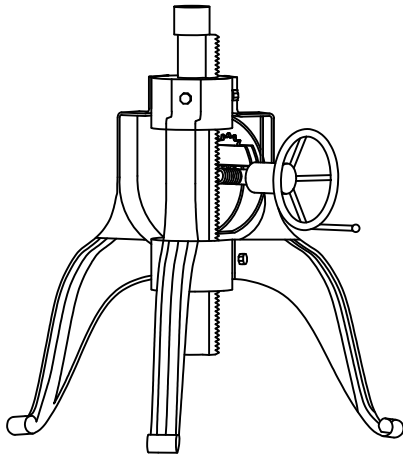
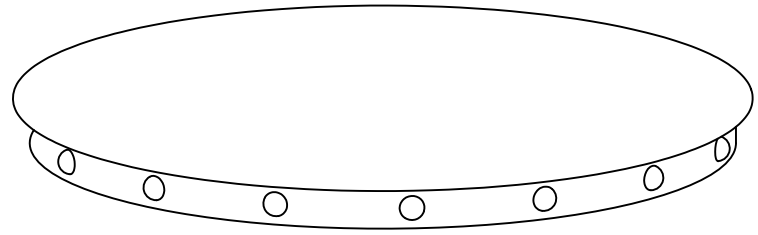


ASSEMBLY INSTRUCTION

COMPONENTS

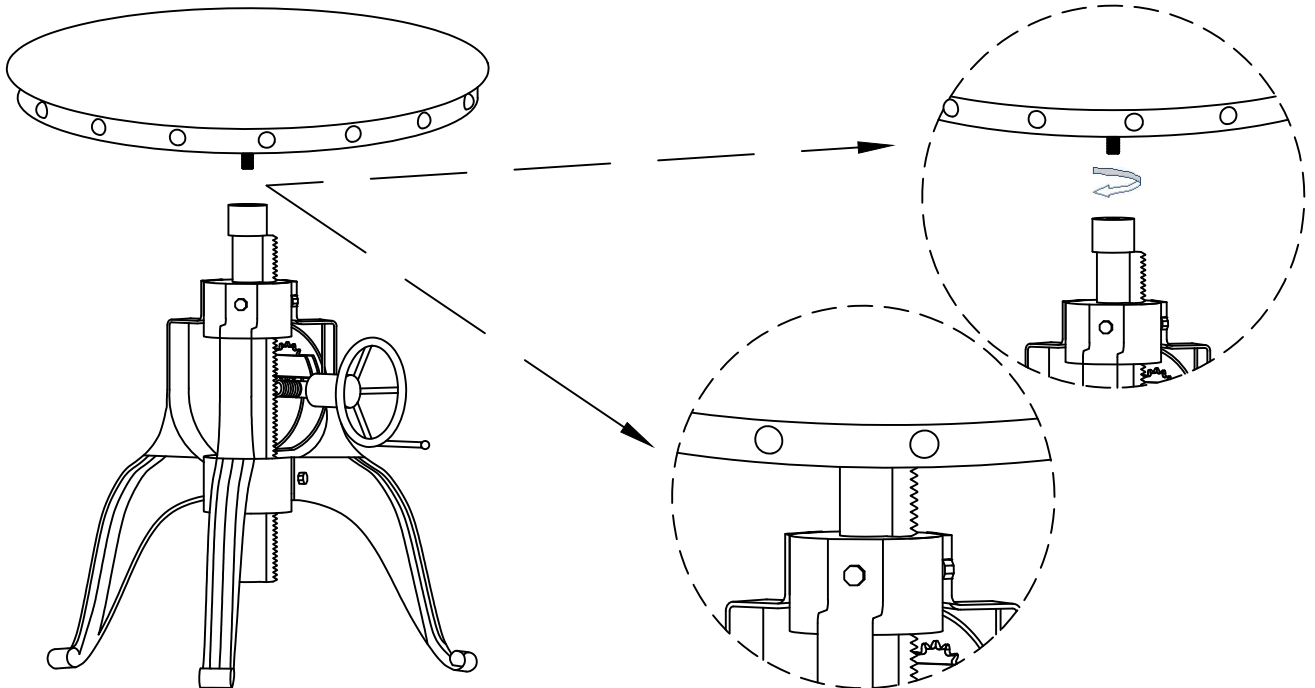


IRON BASE 1PC.

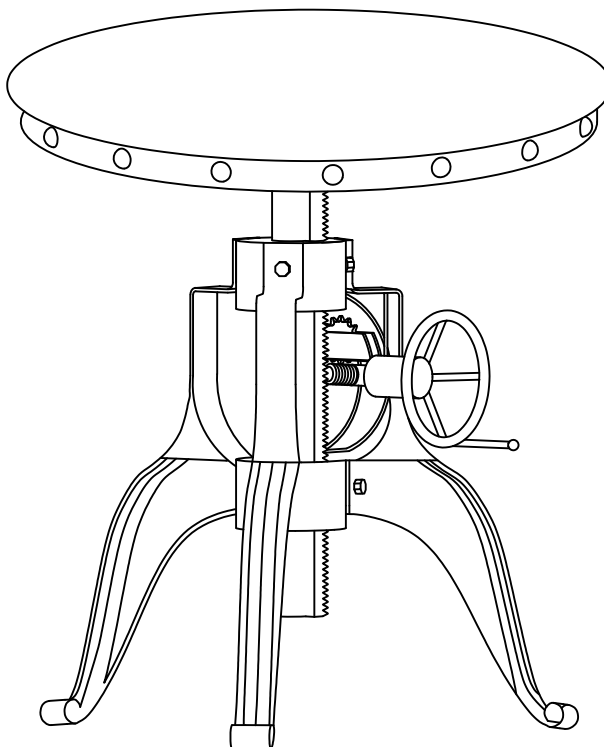


IRON TOP 1PC.

STEP 1.



FIRST OF ALL PLACE THE IRON BASE IN UPRIGHT POSITION NOW WITH THE HELP OF 2 PEOPLE LIFT THE IRON TOP AND MATCH ITS THREADED PORTION WITH THE HOLE ON TOP OF THE IRON BASE AND SCREW IT FIRMLY.



FULLY ASSEMBLED STRUCTURE.