

FIG 1

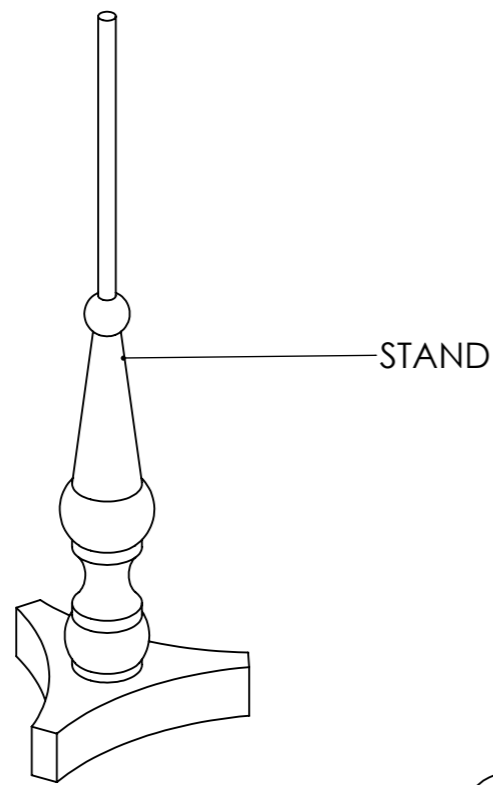


FIG 2

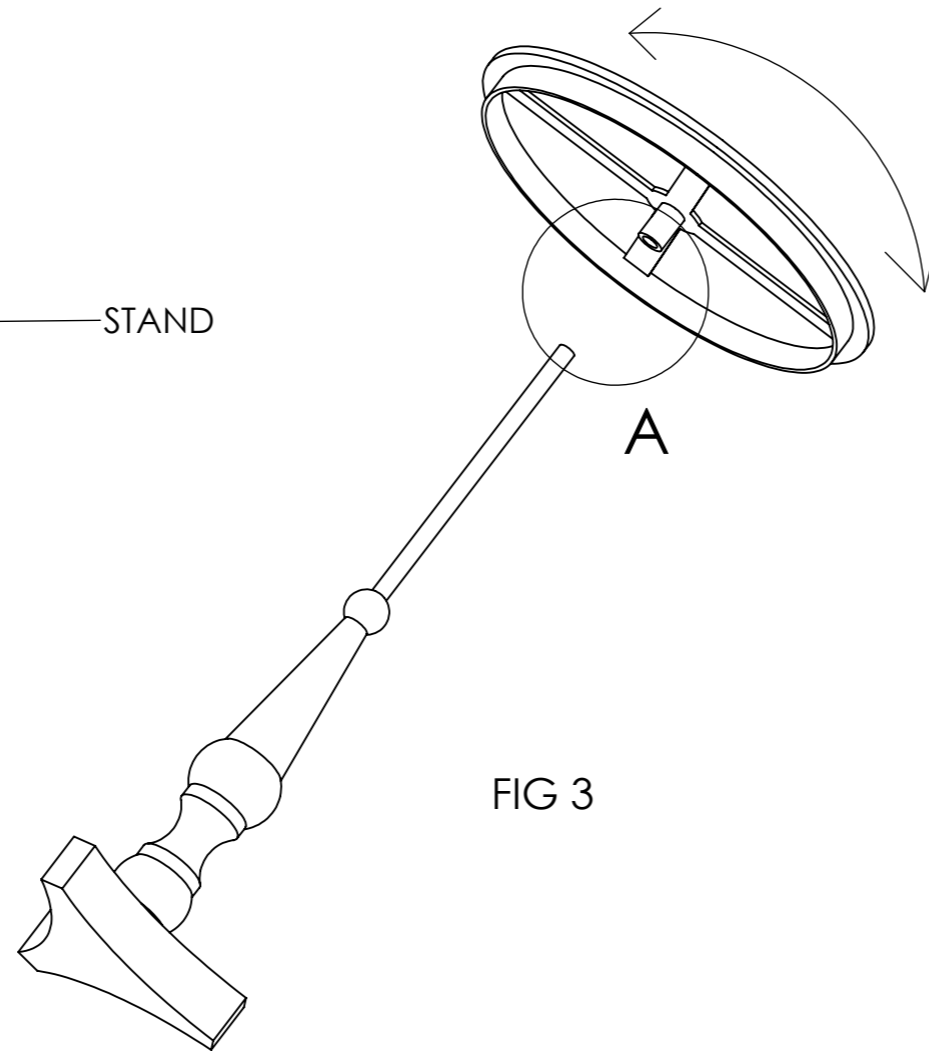
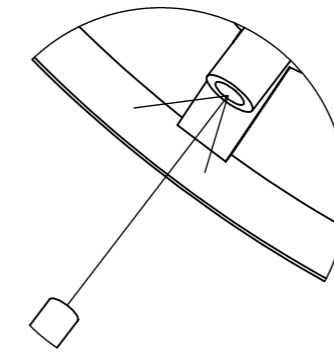
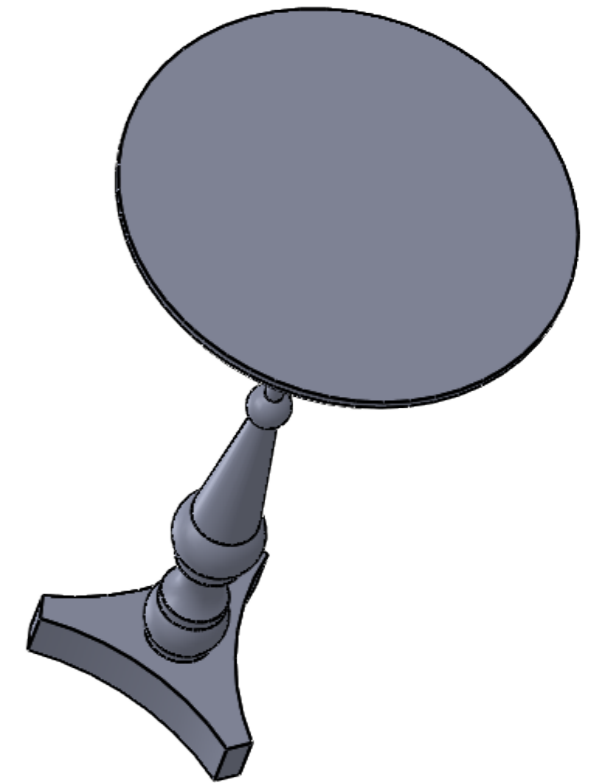


FIG 3



DETAIL A  
SCALE 1 : 4

ITEM NO.	PART NUMBER	QTY.
1	TOP	1
2	STAND	1



**ASSEMBLY INSTRUCTION:**

- 1) UNPACK THE TABLE.
- 2) PUT STAND ON ITS LEG AS SHOWN IN FIGURE 2.
- 3) TAKE THE TOP PART AND MATCH THE HOLE OF STAND AND TOP PART AS SHOWN IN FIG 3.
- 4) APPLY THE FORCE ON TOP PART AND GIVE LITTLE ROTATION OF TOP.
- 5) PART IS READY TO USE AFTER INSERT THE STAND IN TOP.
- 6) USE DRY CLOTH TO CLEAN IT, MAKE SURE THERE ARE NO DUST PARTICLE TOP TO AVOID SCRACHES.

<b>TRADITIONAL HANDICRAFTS CENTER</b>		
PRODUCT NO.: THC 1348	DATE OF SHEET: 24-06-2019	
CM	1:10	
A3	ASSEMBLY VIEW	
PRODUCT NAME:	TABLE	SHEET NO. 1/1