


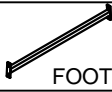
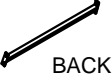




BARSTOOL
NR1105

ASSEMBLY INSTRUCTIONS

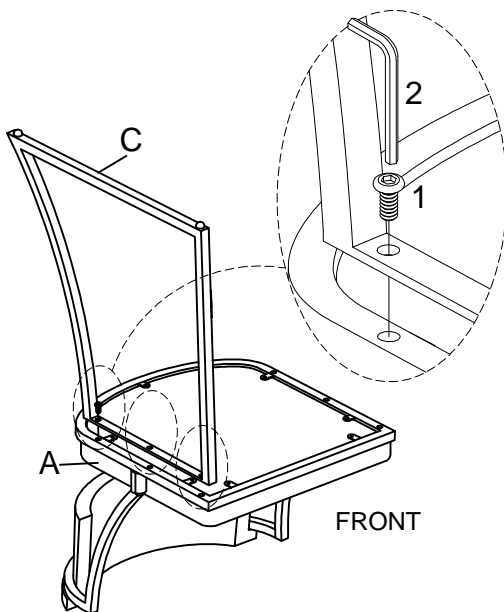
1 OF 2

DO NOT TIGHTEN SCREWS UNTIL COMPLETELY ASSEMBLY !

| PART LIST | | |
|-----------|--|-----|
| A |  STOOL BACK WITH SEAT | 1PC |
| B |  LEFT LEG | 1PC |
| C |  RIGHT LEG | 1PC |
| D |  FOOTREST | 1PC |
| E |  BACK RAIL | 1PC |

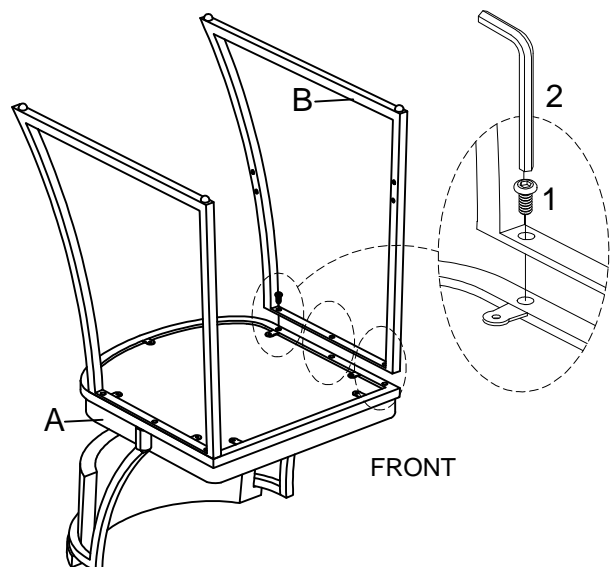
| HARDWARE | | |
|----------|--|-------|
| 1 |  BOLT 1/4" x 13 x 5/8" | 14PCS |
| 2 |  ALLEN KEY 2-1/4"x 4mm | 1PC |

Step 1



Attach Left Leg to the bottom of Stool back with seat .
Note: Do not fully tighten the bolts at this step.

Step 2



Attach Right Leg to the bottom of Stool back with seat .
Note: Do not fully tighten the bolts at this step.

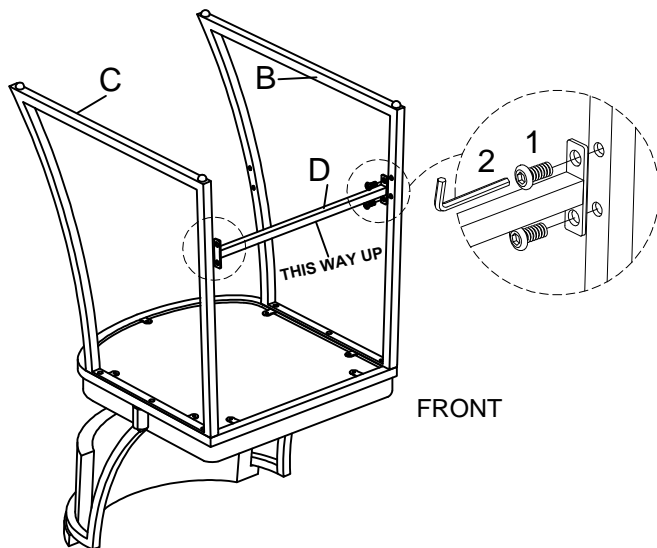
BARSTOOL
NR1105

ASSEMBLY INSTRUCTIONS

2 OF 2

DO NOT TIGHTEN SCREWS UNTIL COMPLETELY ASSEMBLY !

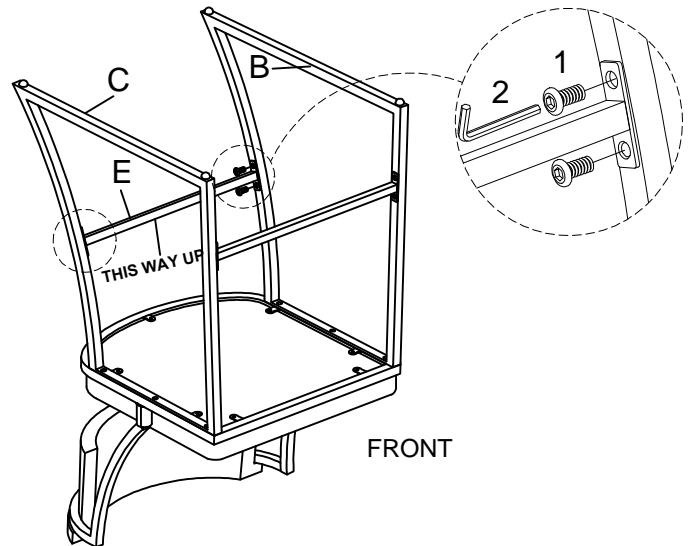
Step 3



Attach Footrest to the Left Leg and Right Leg stretcher.

Note: Do not fully tighten the bolts at this step.

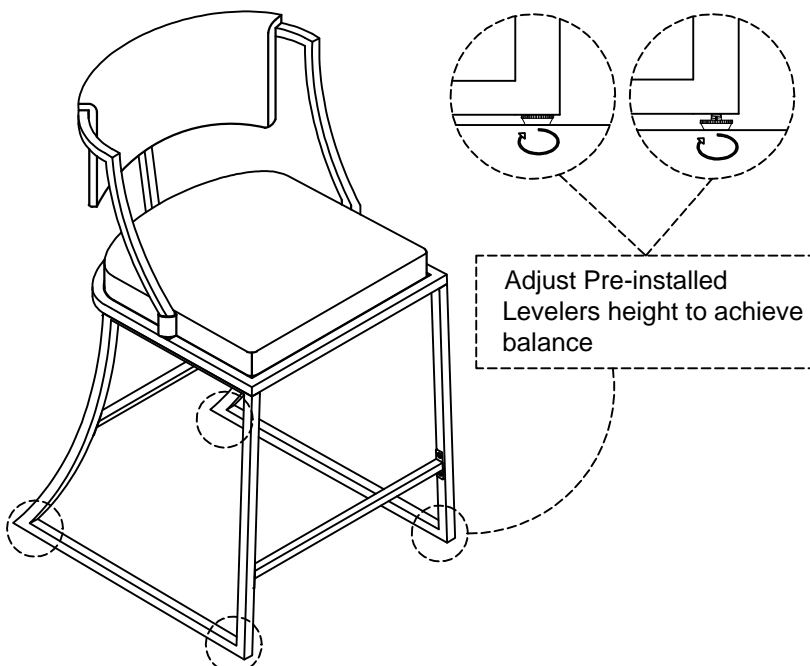
Step 4



Attach Back Rail to the Left Leg and Right Leg stretcher.

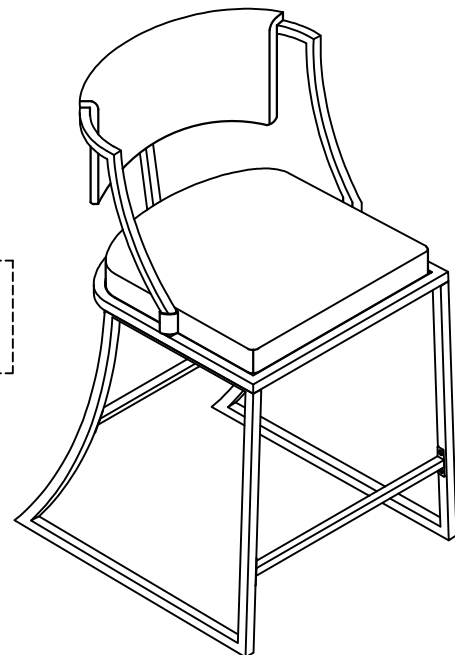
Note: Do not fully tighten the bolts at this step.

Step 5



Adjust the Pre-installed Levelers at the bottom of Left Leg and Right Leg until the Stool is level with the ground.

Step 6



**Please tighten all screws.
Assembly is complete.**