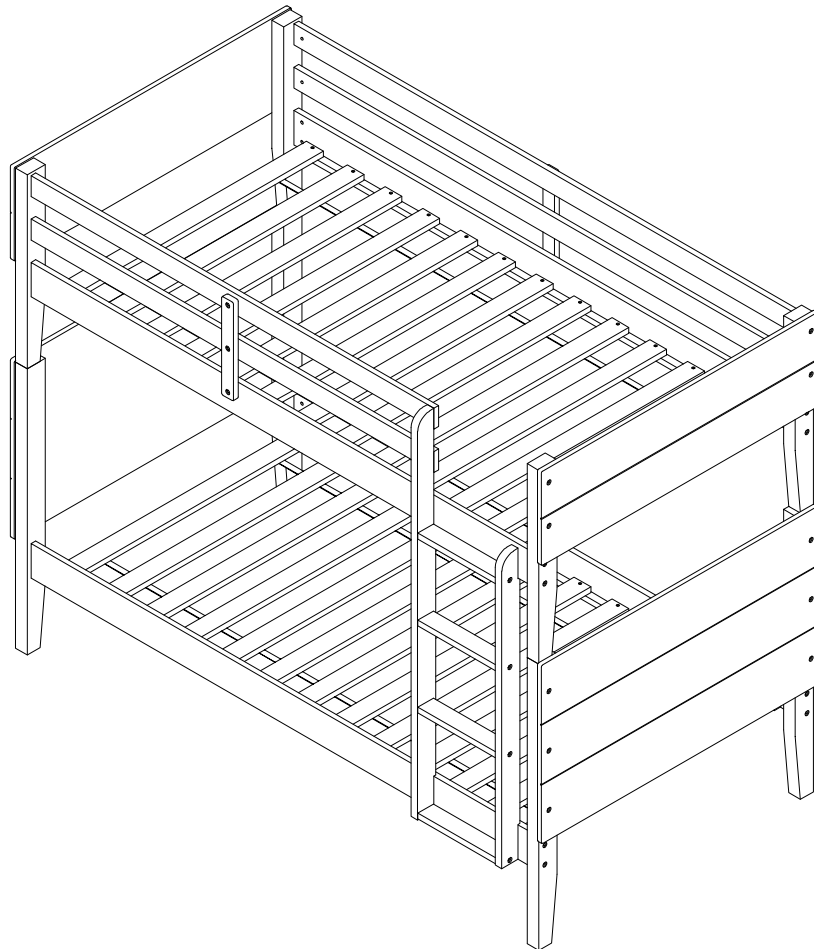


ASSEMBLY INSTRUCTION

MODEL : 45528



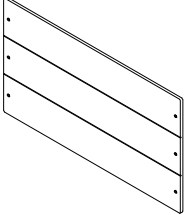
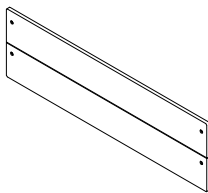
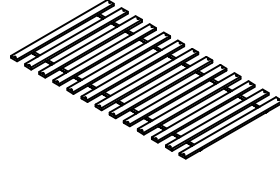
SAFETY WARNINGS

1. Follow the information on the warning label appearing on the upper bunk end structure and on the carton... **Do not remove warning label from bed.**
2. Always use the recommended size mattress or mattress support, or both, to help prevent the likelihood of entrapment or falls.
3. Surface of mattress must be at least 5 inches below the upper edge of guard rails.
4. Do not allow children under 6 years to use the upper bunk.
5. Prohibit more than one person on upper bunk.
6. Periodically check and ensure that the guardrail, ladder, and other components are in their proper position, free from damage, and that all connectors are tight.
7. Do not allow horseplay on or under the bed and prohibit jumping on the bed.
8. Always use the ladder for entering and leaving upper bunk.
9. Do not use substitute part. Contact the manufacturer or dealer for replacement part.
10. Use of night light may provide added safety precaution for a child using the upper bunk.
11. If the bunk bed will be placed next to a wall, the guardrail that runs the full length of the bed should be placed against the wall to prevent entrapment between the bed and the wall.
12. Always use guardrail on both long sides of the upper bunk.
13. The use of water or sleep flotation mattresses is prohibited.
14. Keep these instruction for future reference.
15. Strangulation Hazard - Never attach or hang items to any part of the bunk bed that are not designed for use with the bed, for example, but not limited to hooks, belts and jump rores.
16. ***Trundle : Only use for mattress 6 inch.***






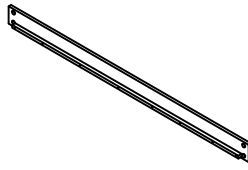
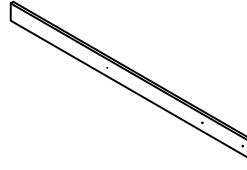
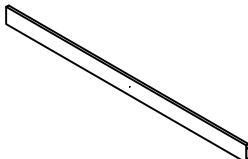
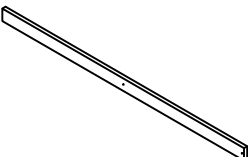
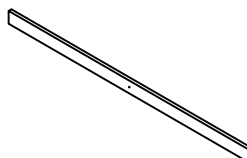



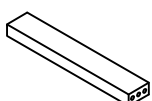
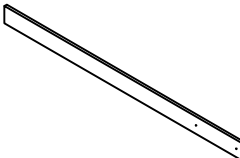
PARTS LIST & ILLUSTRATION

~~ Note : Do Not Fully Tighten Screws until Fully Assembled ~~


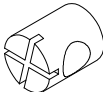
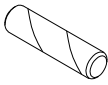
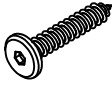
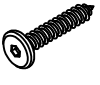
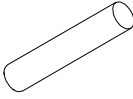



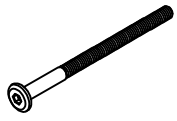
BOX A: (F, G, O)

F  Panel headboard Bottom 2 pcs	G  Panel headboard upper 2 pcs	O  Upper & bottom slats 2 set (1 set = 13 slats)	
---	--	--	--

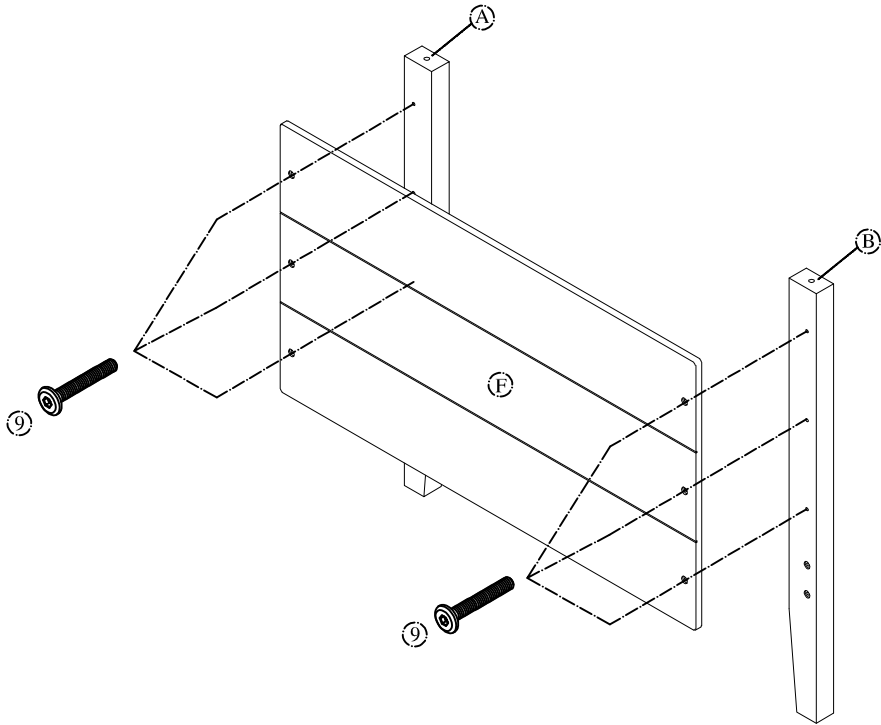
BOX A: (A, B,C, D, E, I, J, K, L, M, N,P,Q, R, H)

A  Bottom posts 2pcs	B  Bottom posts 2pcs	C  Upper ports 2pcs	D  Upper ports 1pc
E  Upper ports 1pc	I  Lower back side rail 1pc	J  Upper front side rail 1pc	K  Upper back side rail 1pc
L  Front guard rail bars 2pcs	M  Back guard rail bars 2pcs	N  Guard rail supports 2pcs	P  Ladder left side rail 1pc
Q  Ladder right side rail 1pc	R  Ladder steps 4pcs	H  Lower front side rail 1pc	

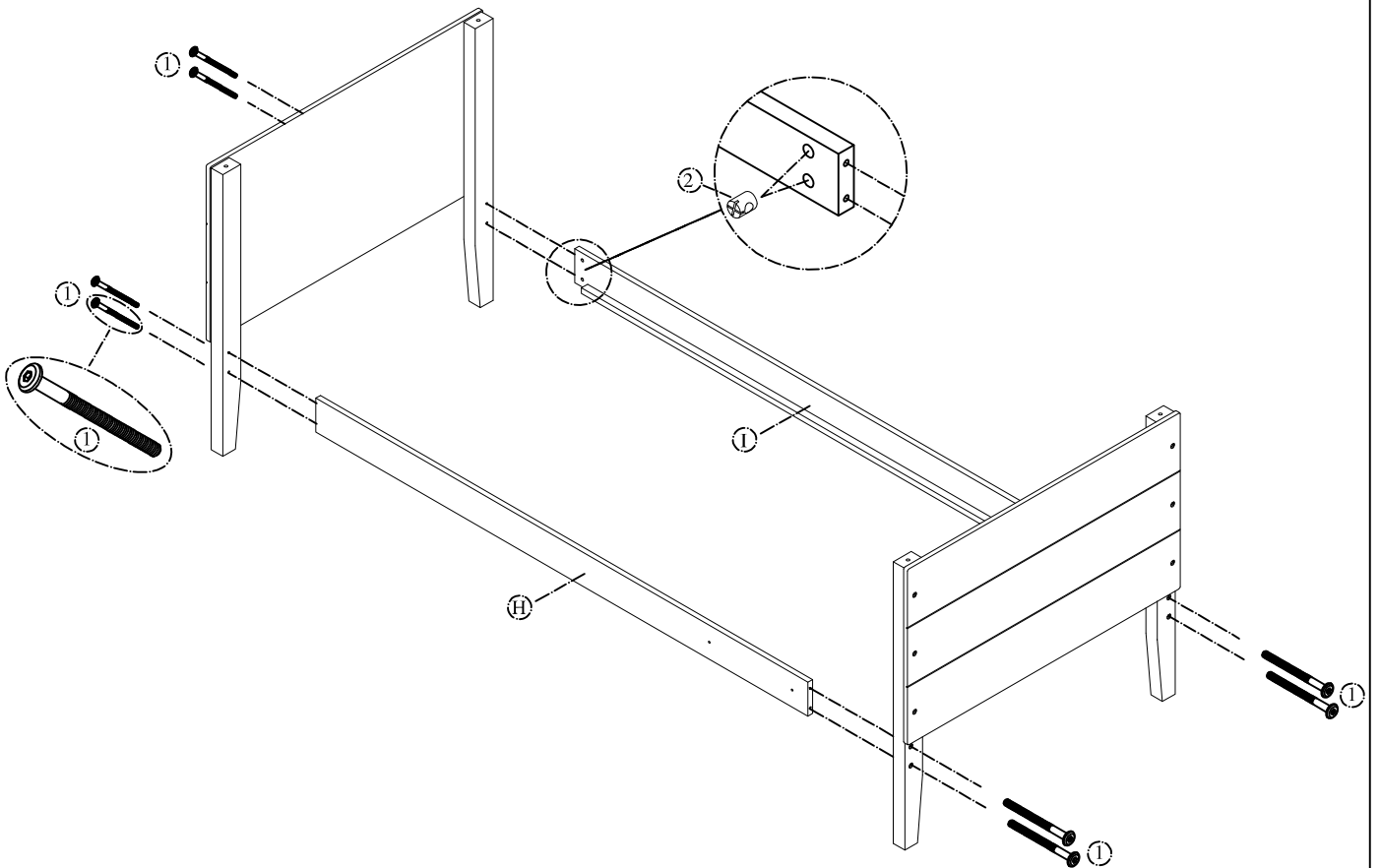
HARDWARE & ILLUSTRATION

<p>1</p>  <p>Ø15x Ø1/4" x 85 mm Hex-Head bolts 16 pcs</p>	<p>2</p>  <p>Ø10 x Ø1/4" x 12mm Nut 22 pcs</p>	<p>3</p>  <p>Ø8 x 30 mm Wood dower 28 pcs</p>	<p>4</p>  <p>Ø15 x Ø1/4" x 50 mm Hex-Head bolts 8 pcs</p>	<p>5</p>  <p>Ø15 x Ø1/4" x 30 mm Hex-Head bolts 6 pcs</p>
<p>6</p>  <p>Ø10 x 90 mm Stell dower 4pcs</p>	<p>7</p>  <p>Ø8 x 35 mm Wood Screws 52 pcs</p>	<p>8</p>  <p>Allen Key 2 pcs</p>	<p>9</p>  <p>Ø15 x Ø1/4" x 40 mm Hex-Head bolts 20 pcs</p>	<p>10</p>  <p>Ø15x Ø1/4" x 110 mm Hex-Head bolts 6 pcs</p>

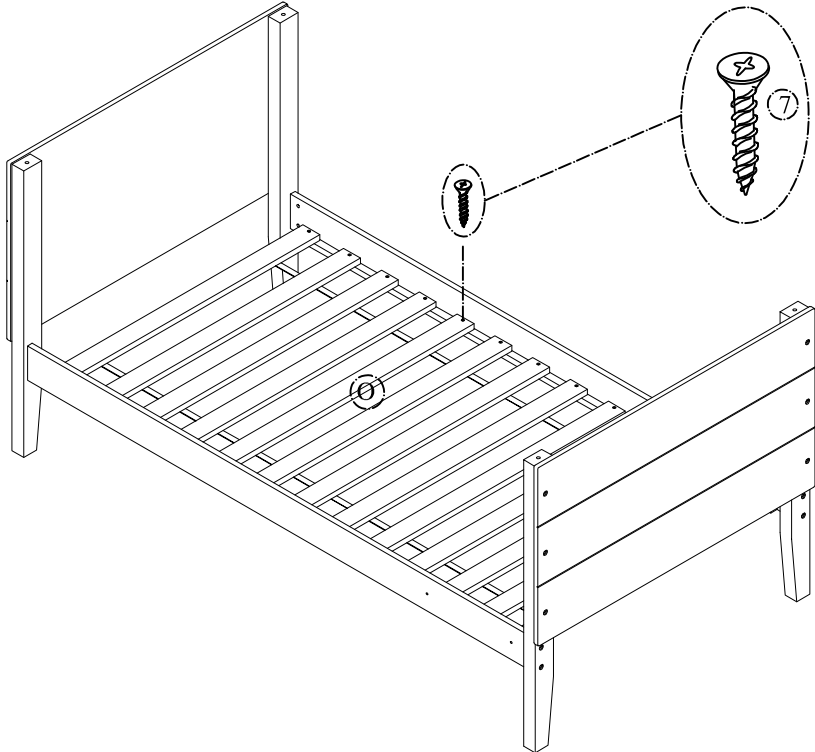
Step 1



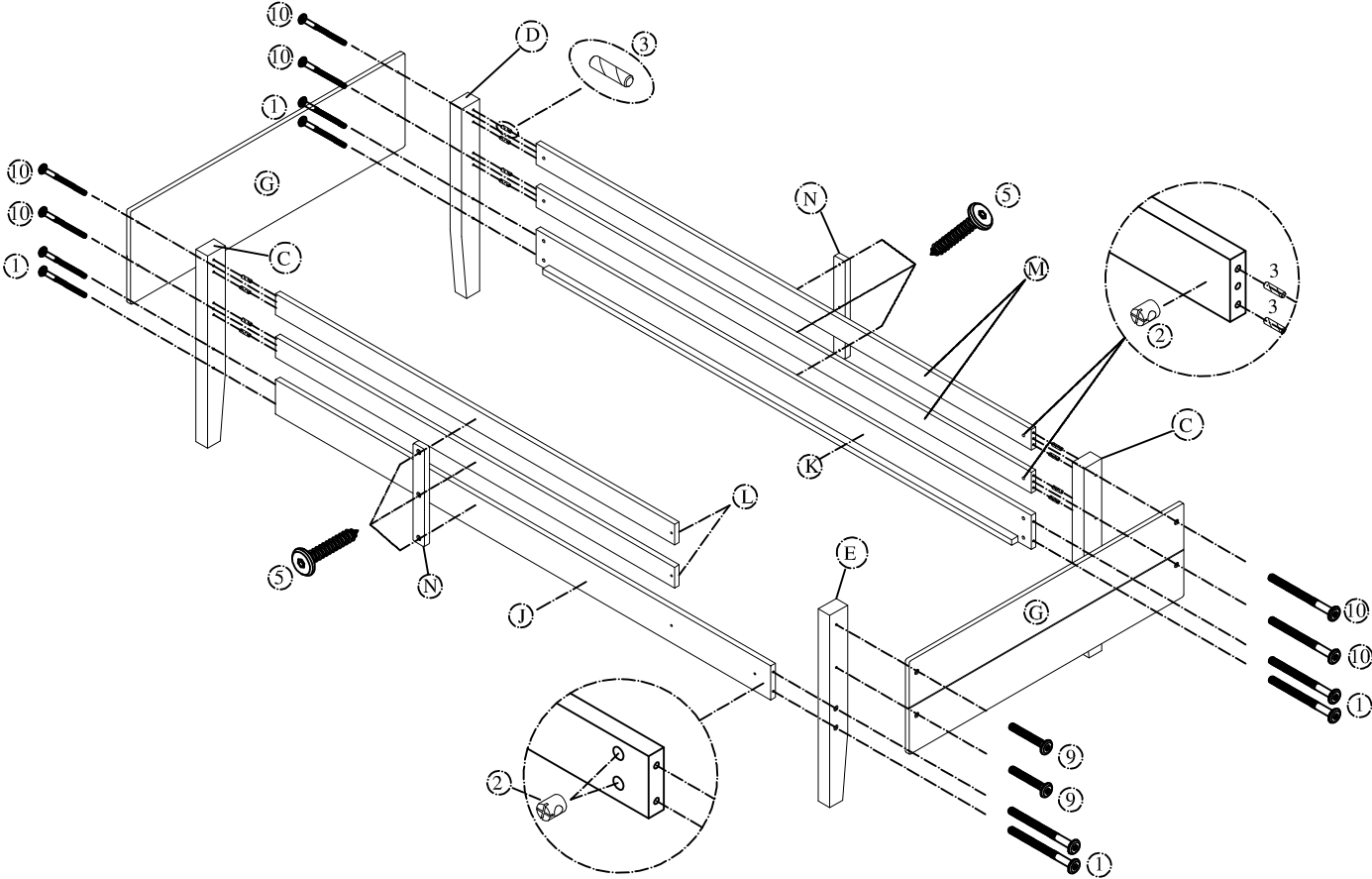
Step 2



Step 3

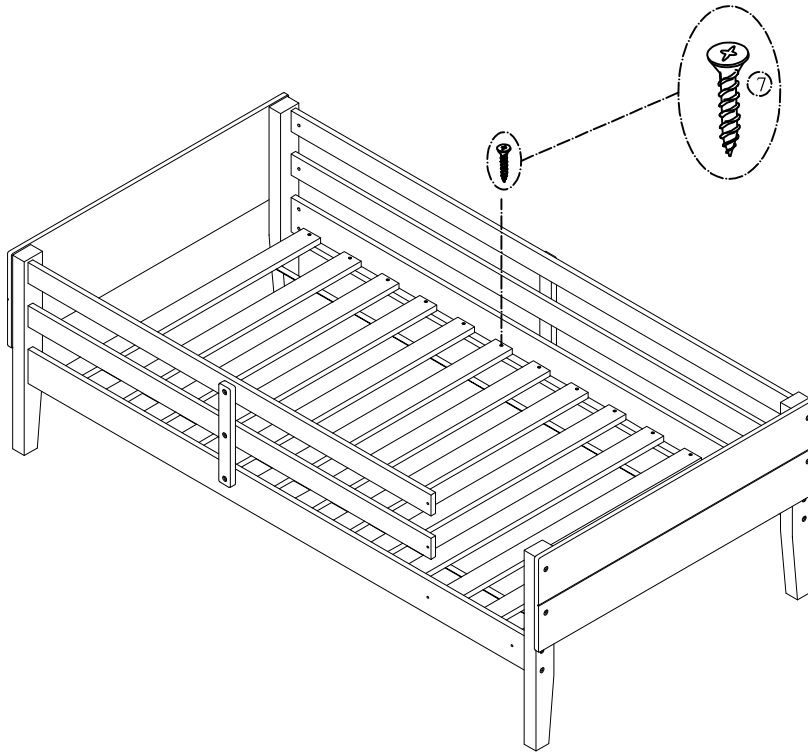


Step 4

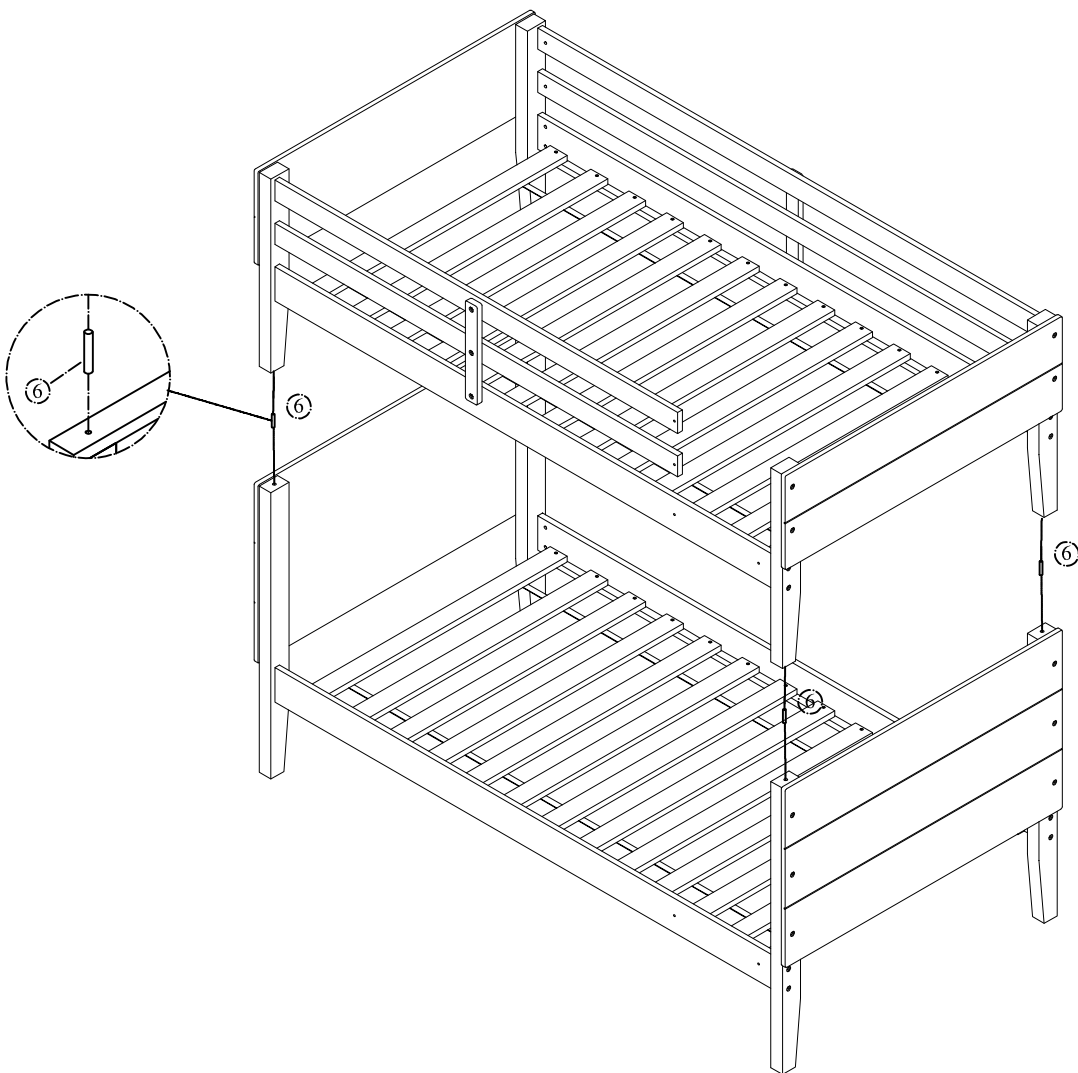


Step 5

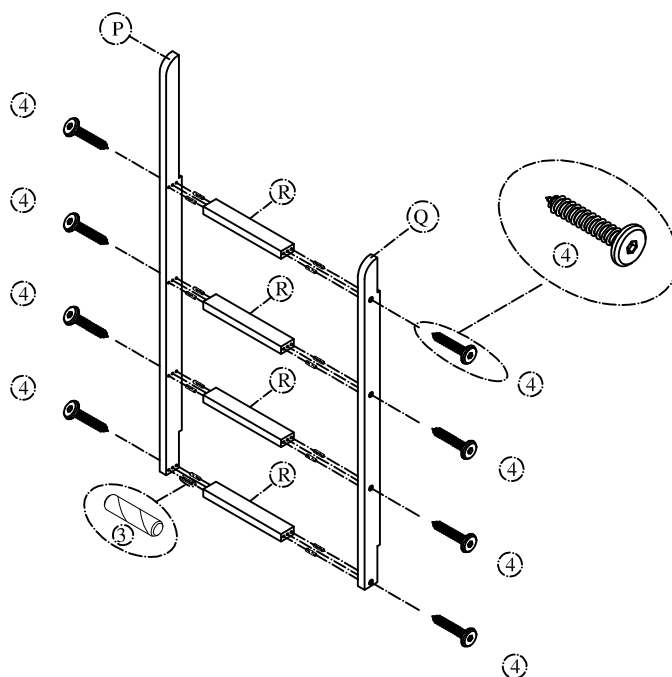
6



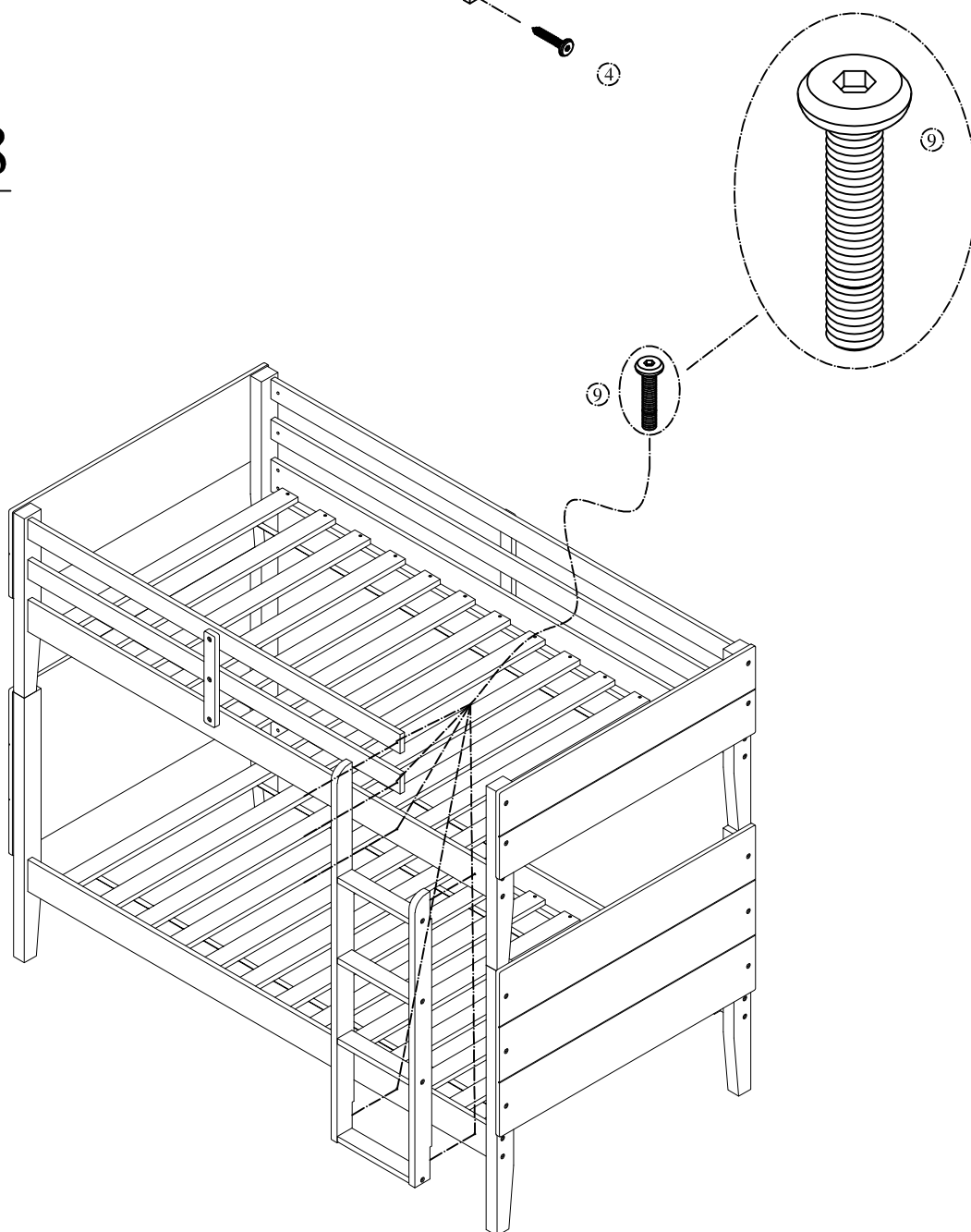
Step 6



Step 7



Step 8



ASSEMBLY COMPLETED