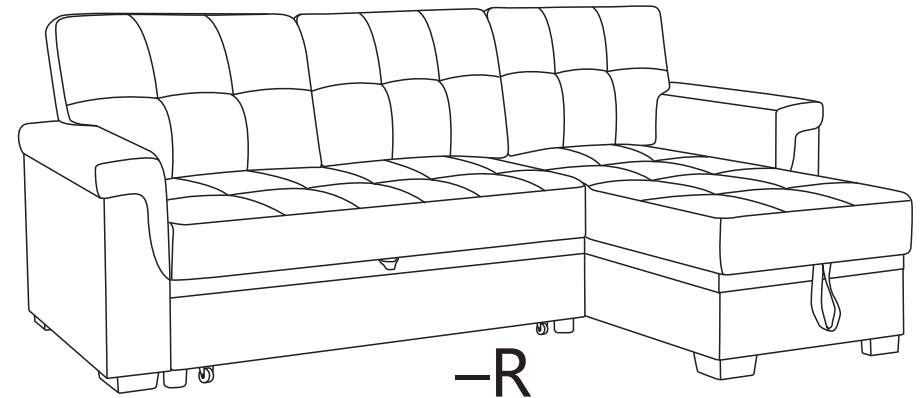
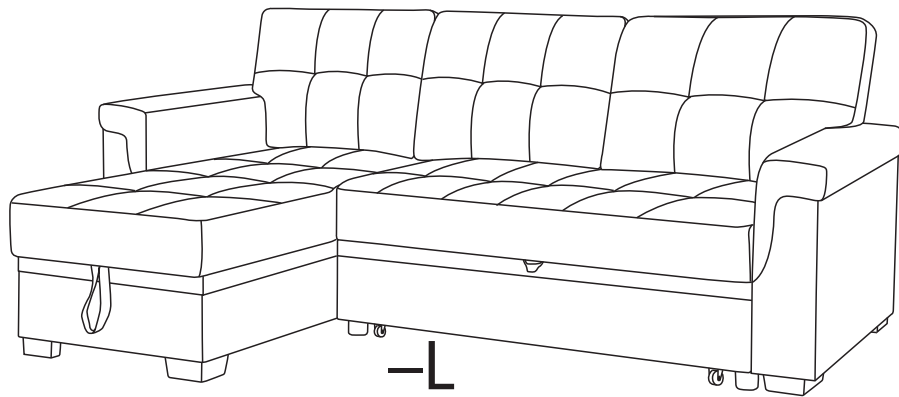
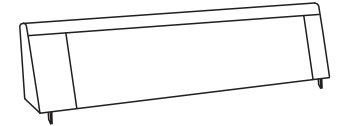
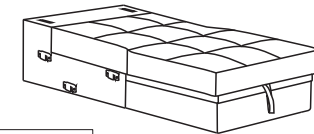
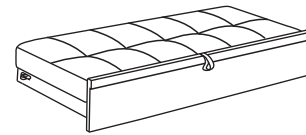
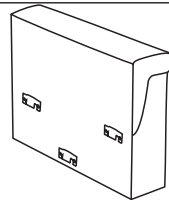
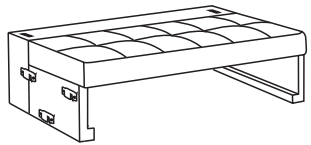


# ASSEMBLY INSTRUCTION

ITEM NO.:V81342



## PARTS LIST



**A**

X1

**B**

X1

**C**

X1

**D**

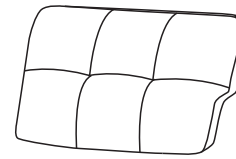
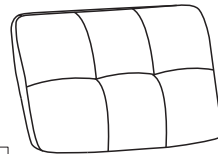
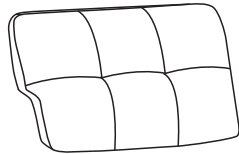
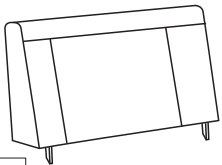
X1

**E**

X1

**F**

X1



**G**

X1

**H**

X1

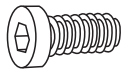
**I**

X1

**J**

X1

## HARDWARE LIST



**1** 1/4"X25  
X8



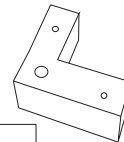
**2** M4  
X1



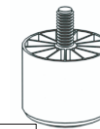
**3**  
X12



**4**  
X4



**5**  
X6



**6**  
X6

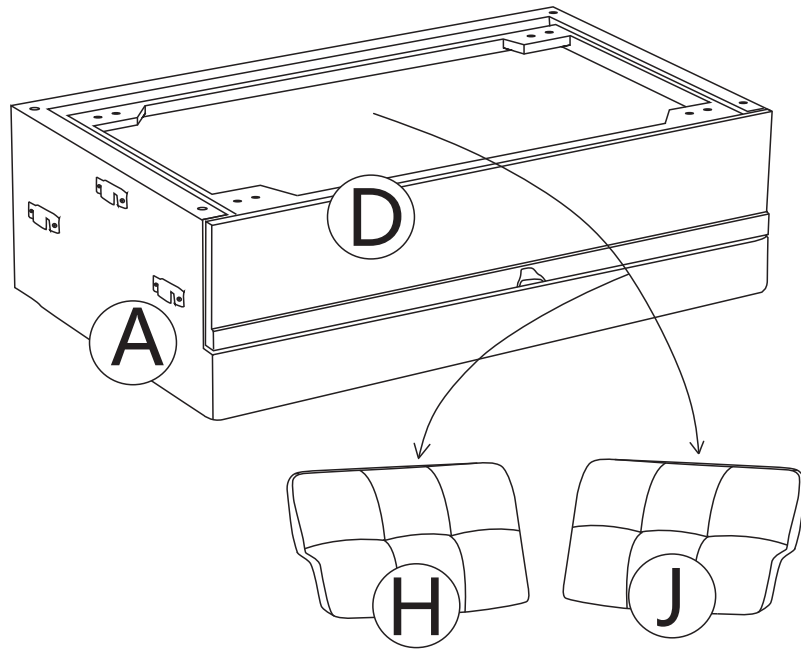


**7** 5/16"X60  
X6

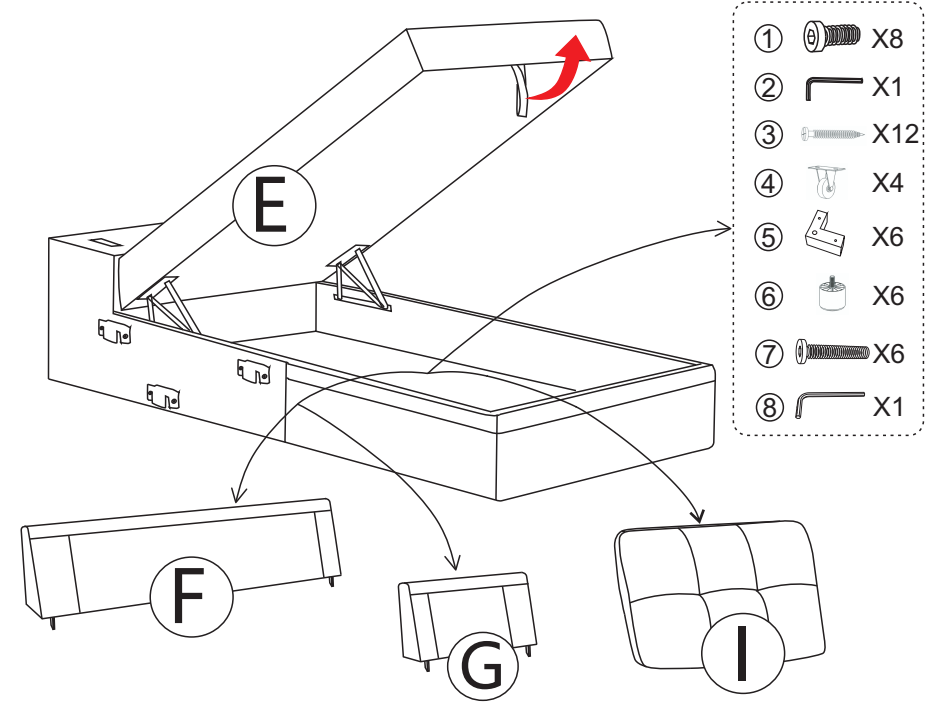


**8** M5  
X1

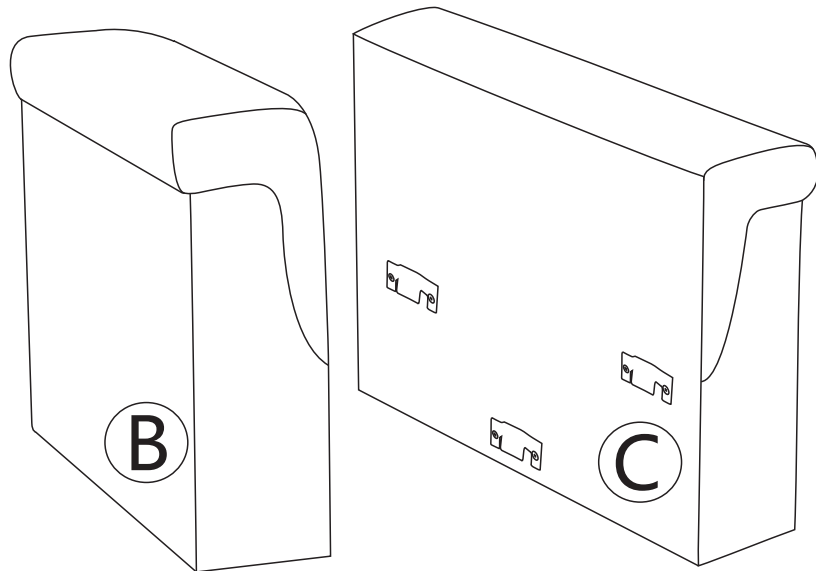
## BOX -1 HARDWARE LIST



## BOX -2 HARDWARE LIST



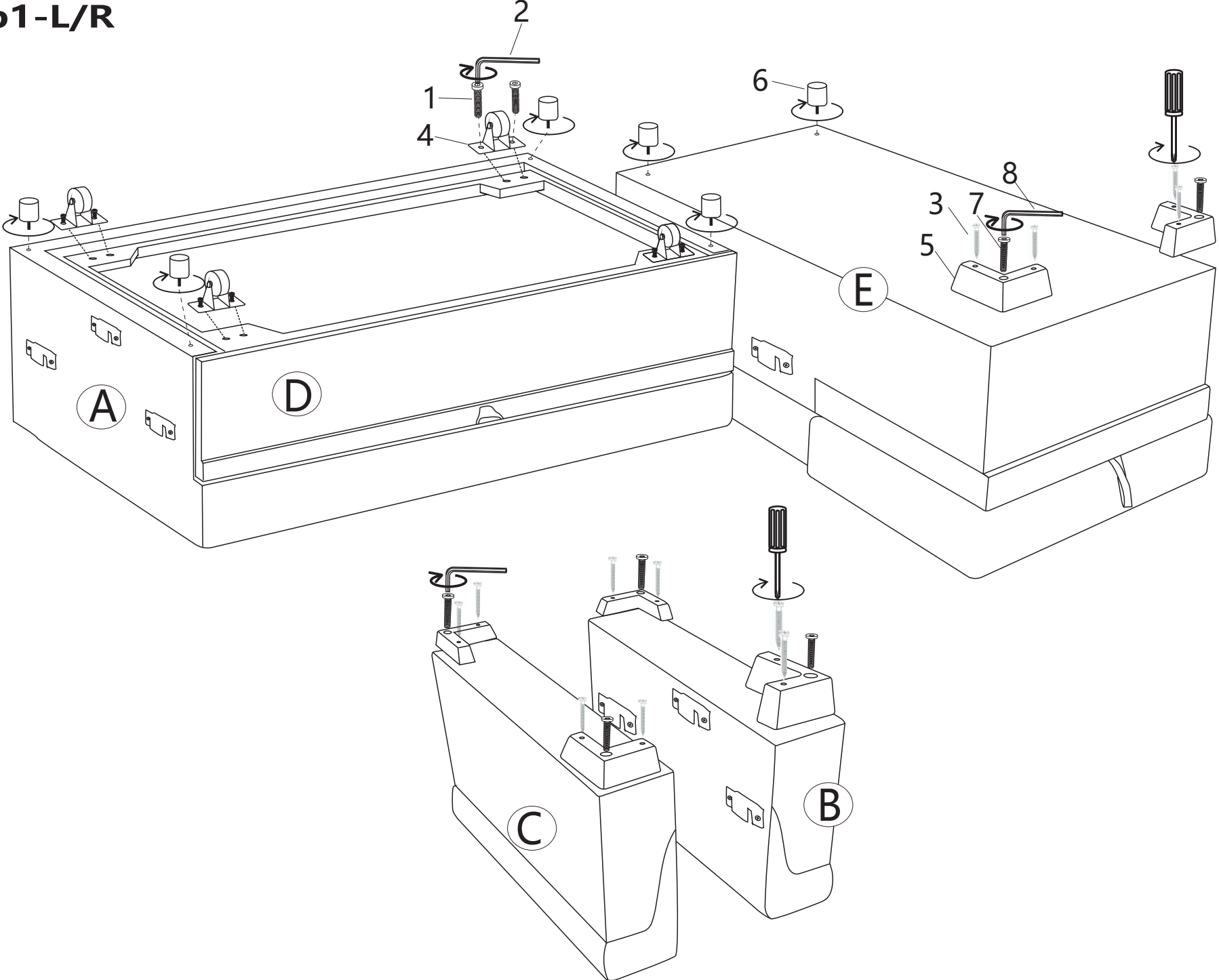
## BOX -3 HARDWARE LIST



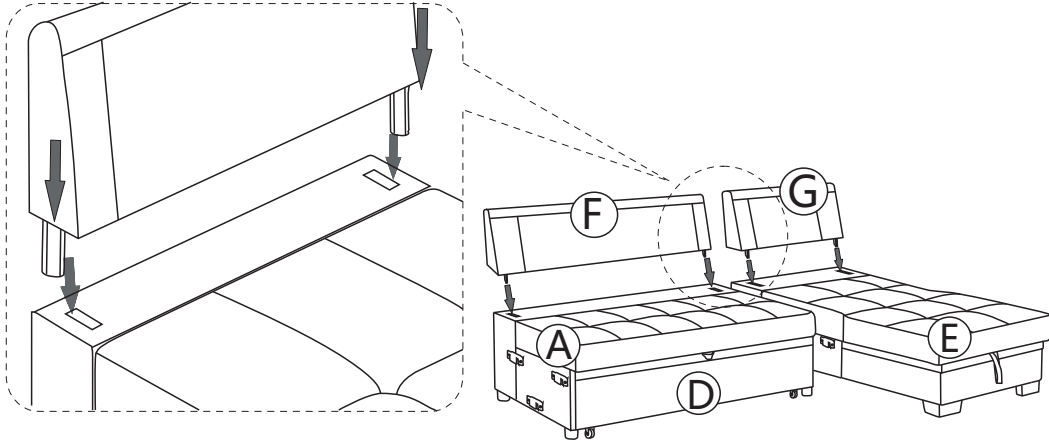
## Unpacking steps:

1. BOX-2
2. BOX-1
3. BOX-3

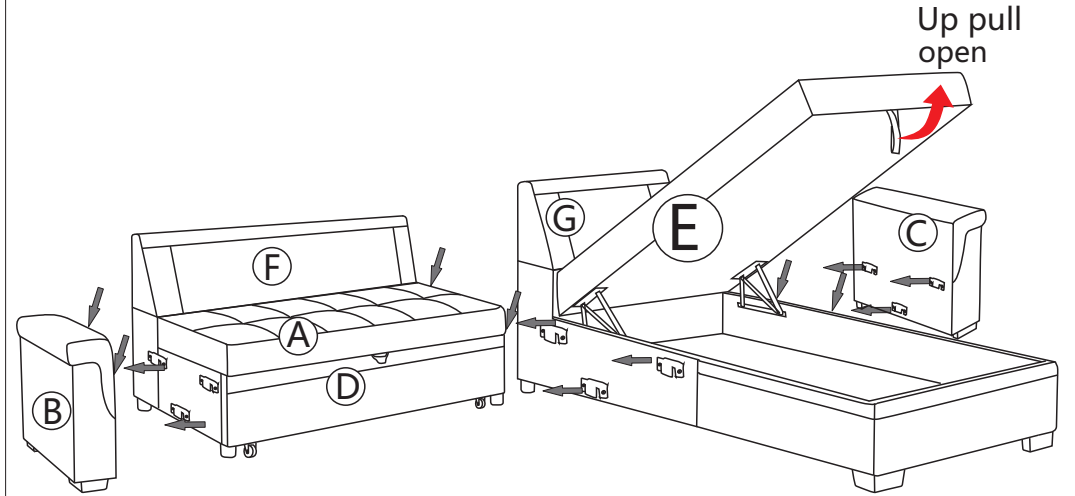
# Step1-L/R



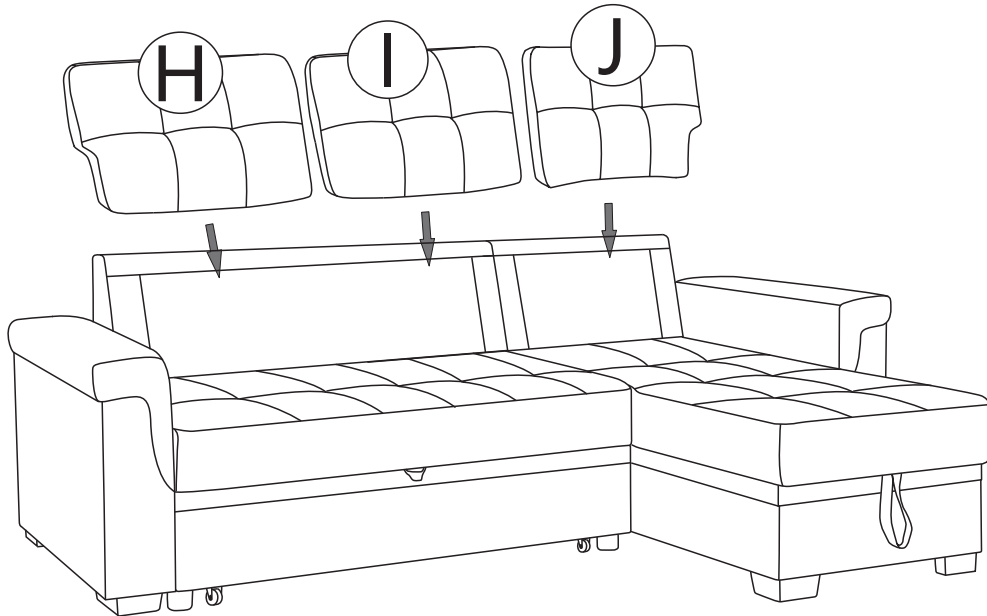
## Step2-L/R



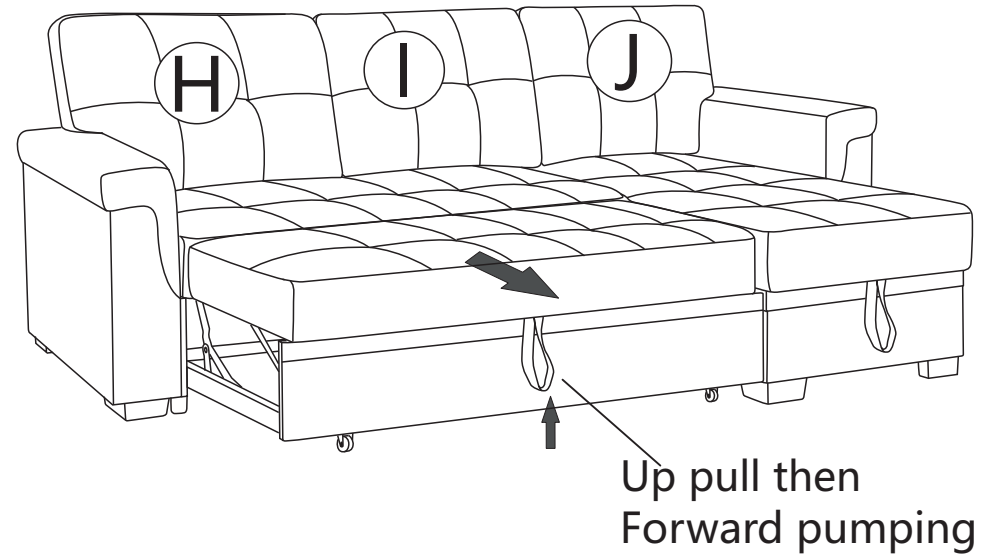
## Step3-R



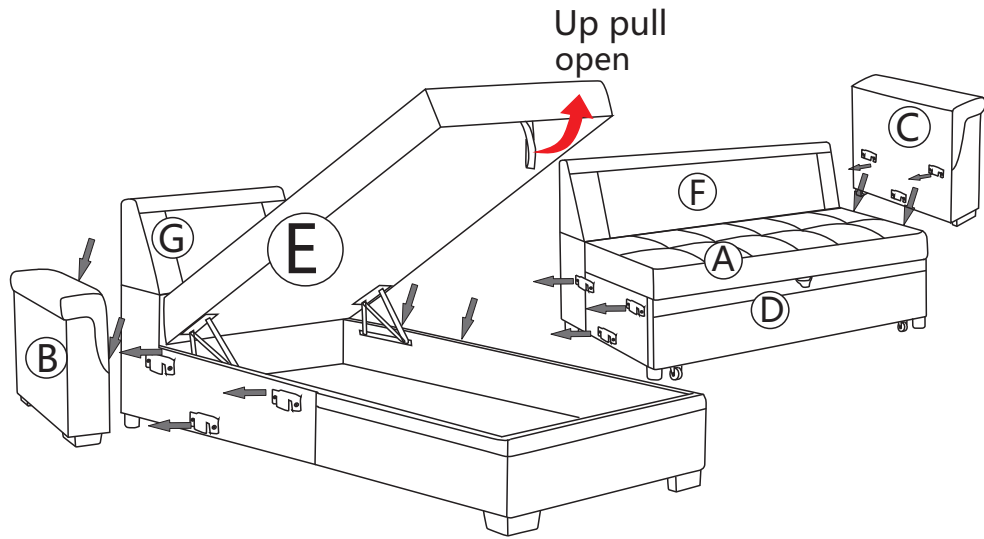
## Step4-R



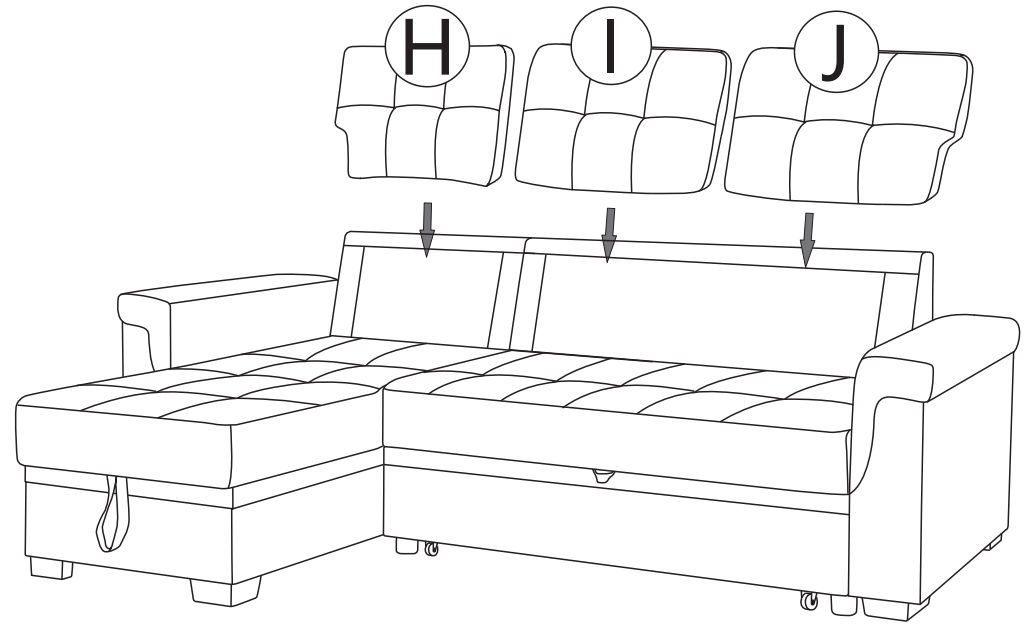
## Step5-R



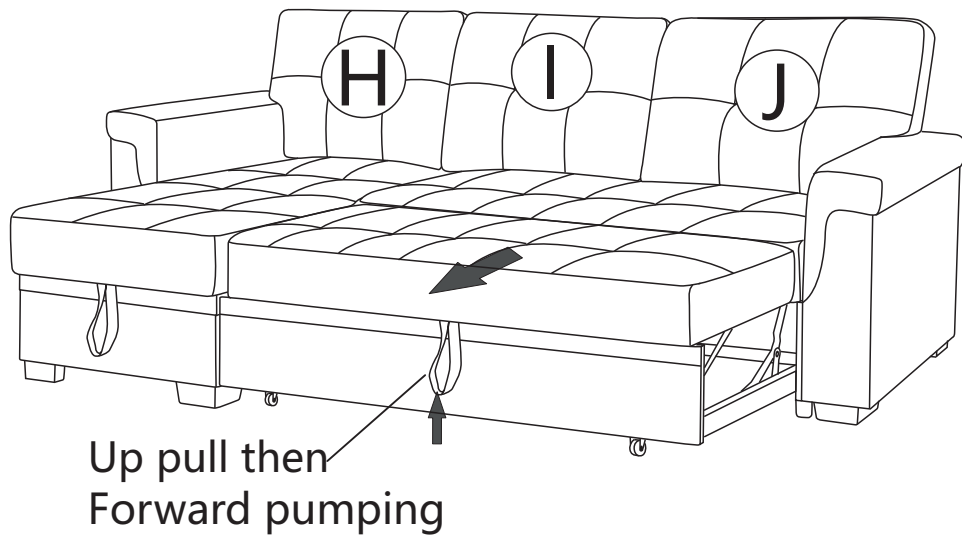
### Step3-L



### Step4-L



### Step5-L



### Step6-L

