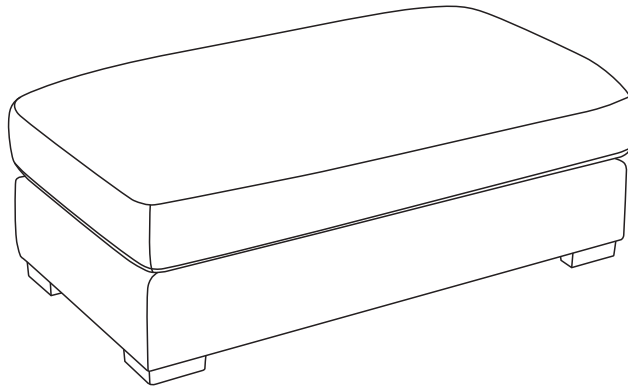
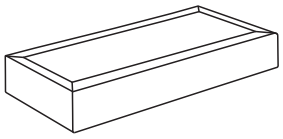


ASSEMBLY INSTRUCTION

ITEM NO.:DV7705/DV7706/DV7707



PARTS LIST

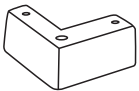


A X1

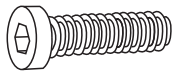


B X1

HARDWARE LIST



1 X4



2 X4



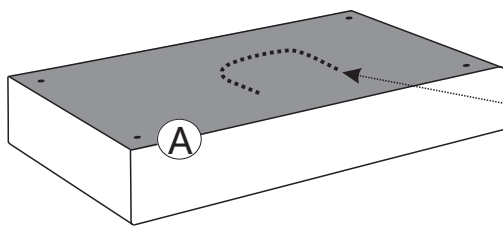
3 X1



4 X8

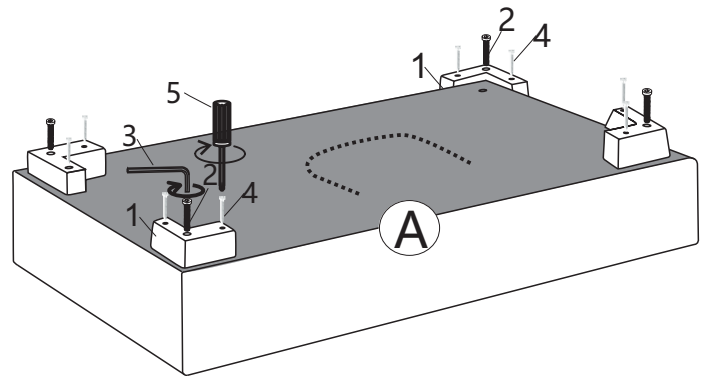


5 X1



- ① X4
- ② X4
- ③ X1
- ④ X8
- ⑤ X1

Step1



Step2

