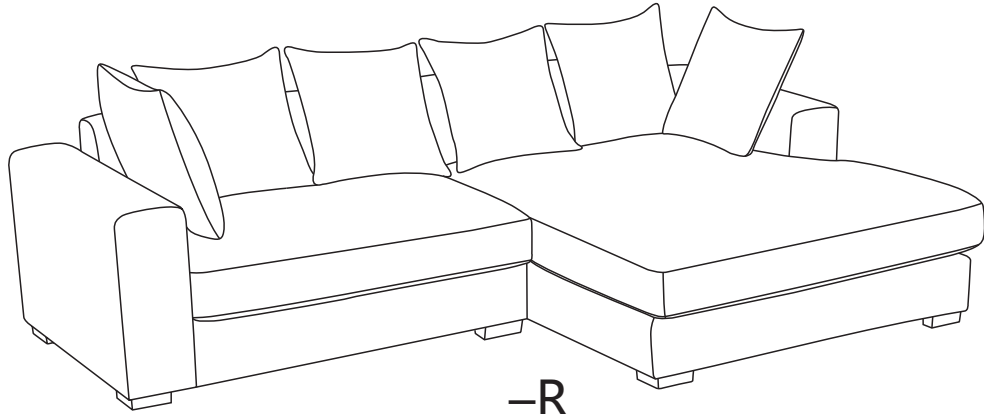


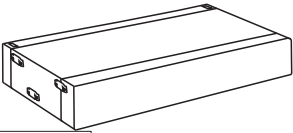
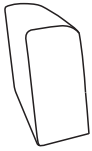
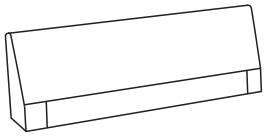

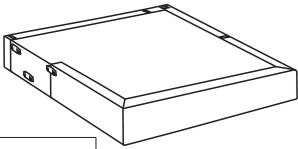

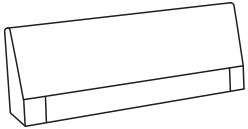

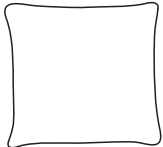
ASSEMBLY INSTRUCTION

ITEM NO.:DV7705/DV7706/DV7707

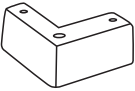
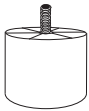

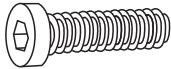





-R

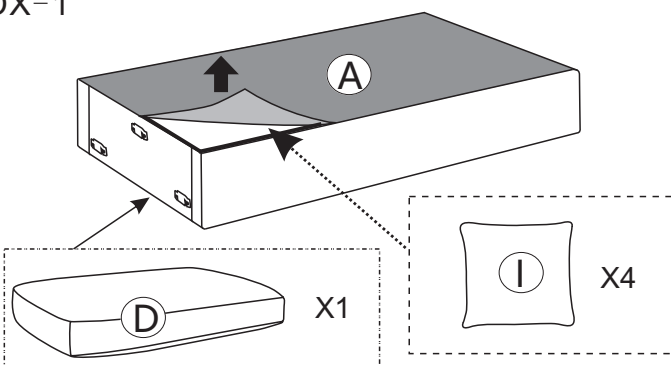
PARTS LIST

				
A X1	B X1	C X1	D X1	E X1
				
F X1	G X1	H X1	I X6	

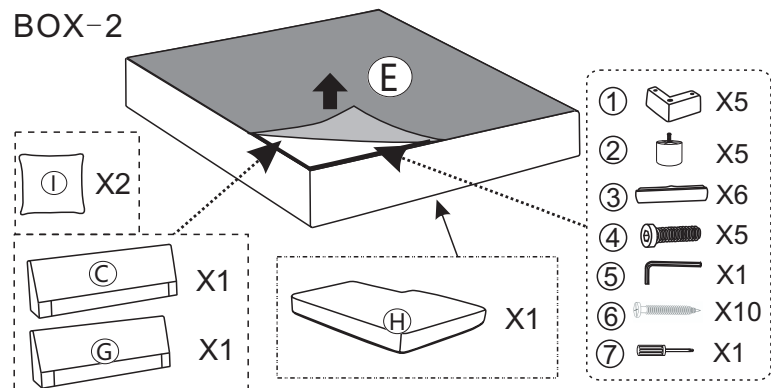
HARDWARE LIST

				
1 X5	2 X5	3 X6	4 X5	5 X1
				
6 X10	7 X1			

BOX-1

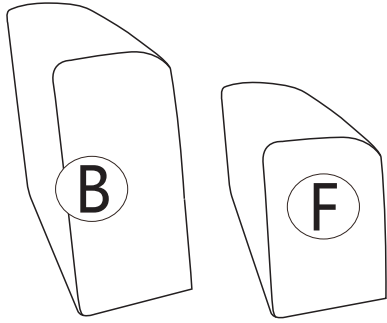


BOX-2

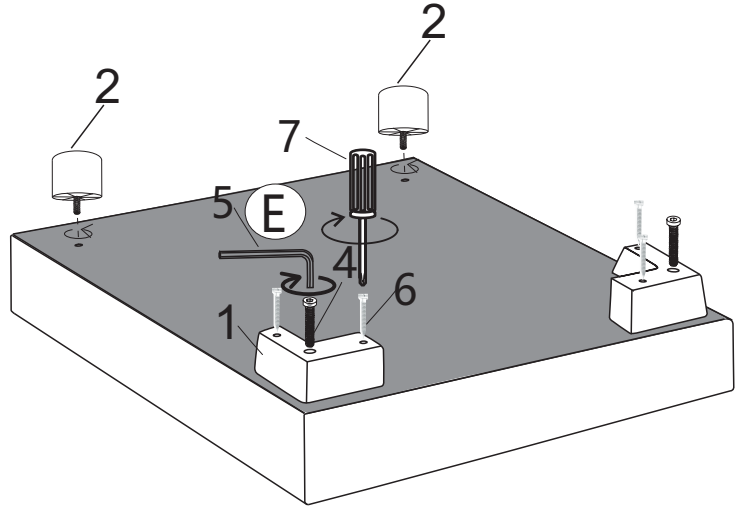
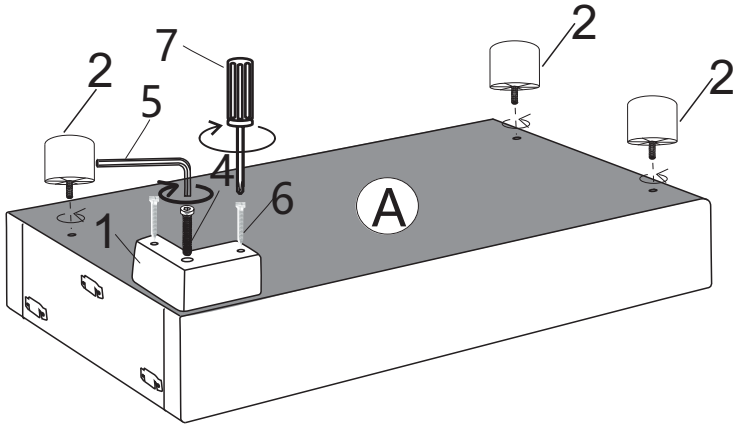
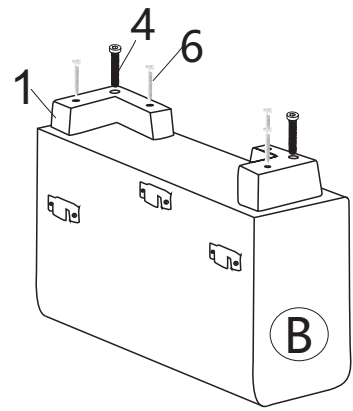


- ① X5
- ② X5
- ③ X6
- ④ X5
- ⑤ X1
- ⑥ X10
- ⑦ X1

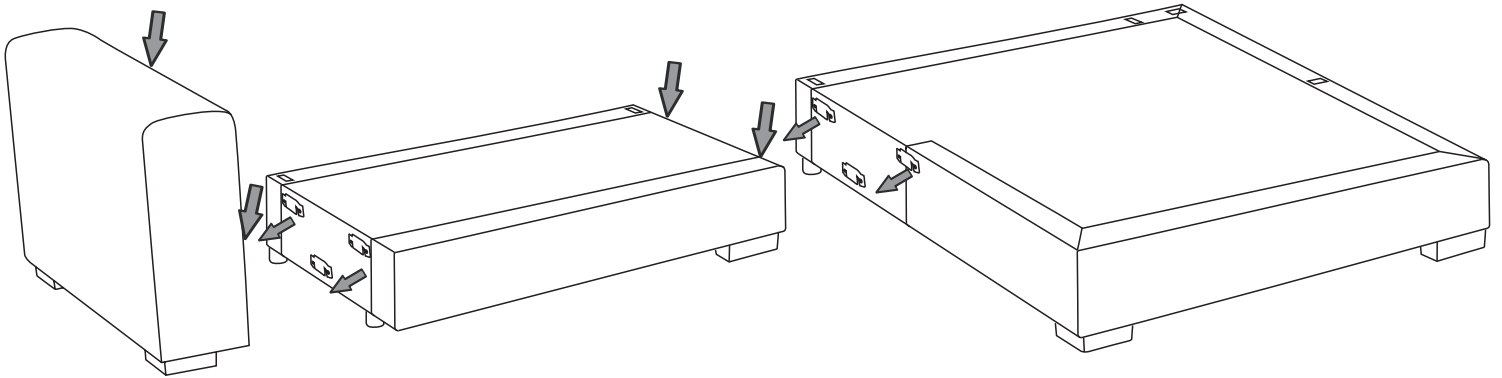
BOX-3



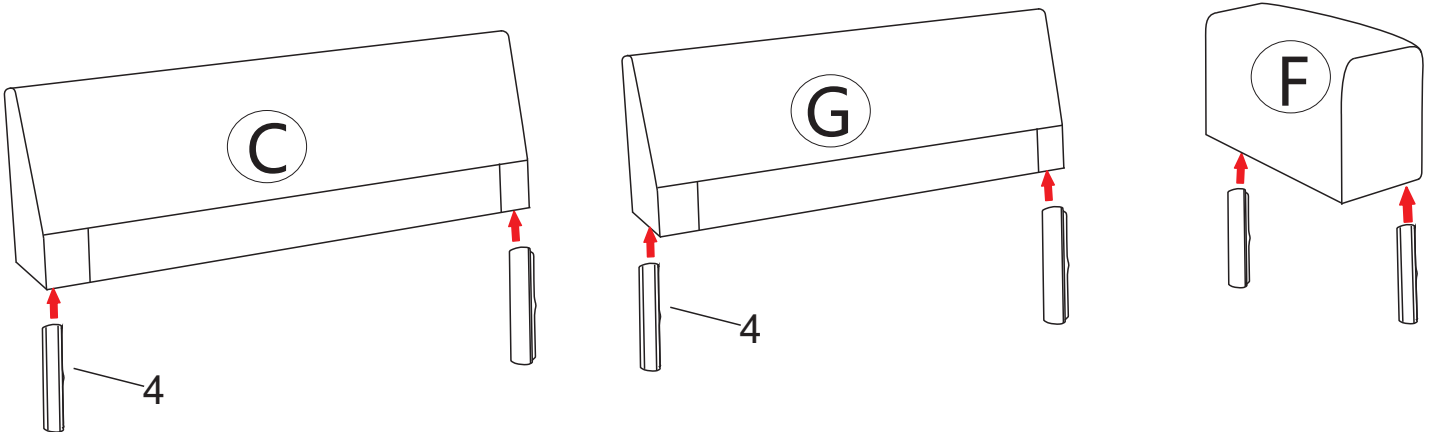
Step1



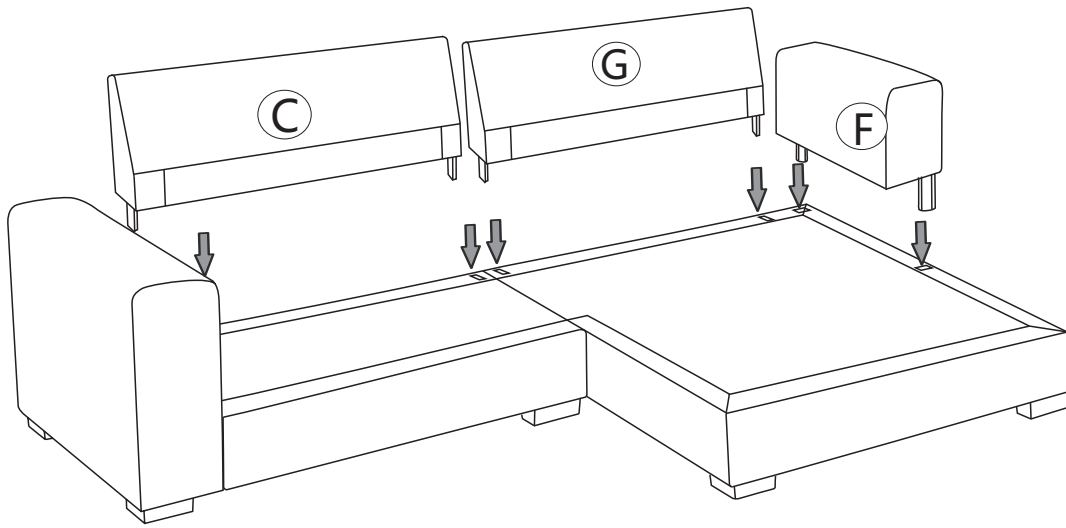
Step2



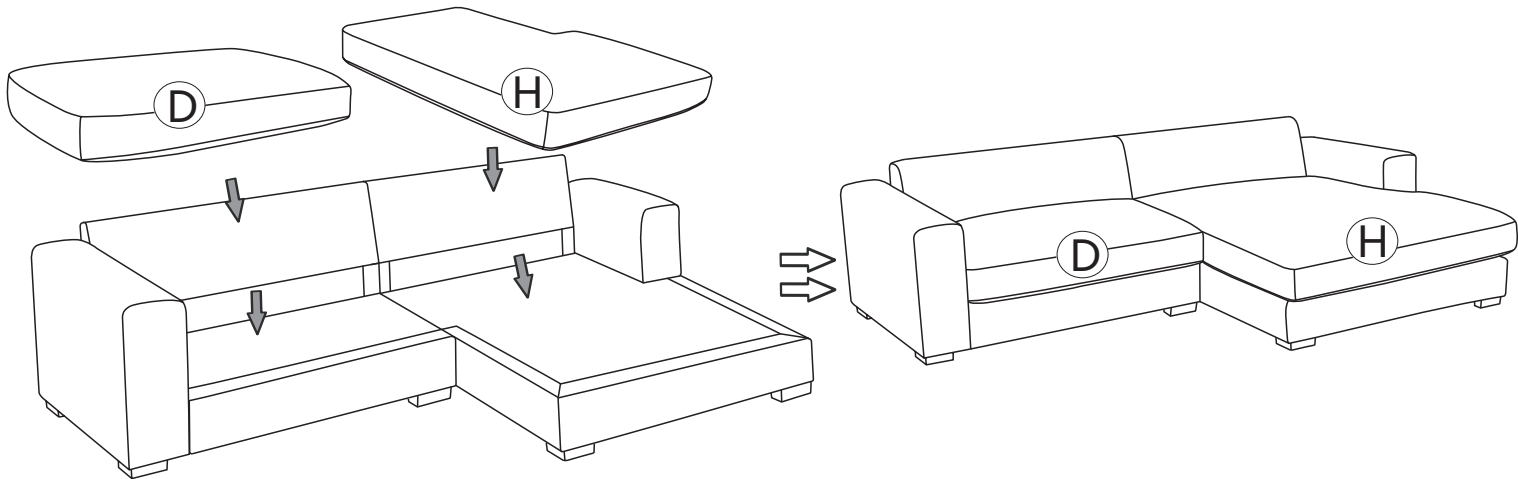
Step3 **Please pay attention to follow this step to assemble!**



Step4



Step5



Step6

