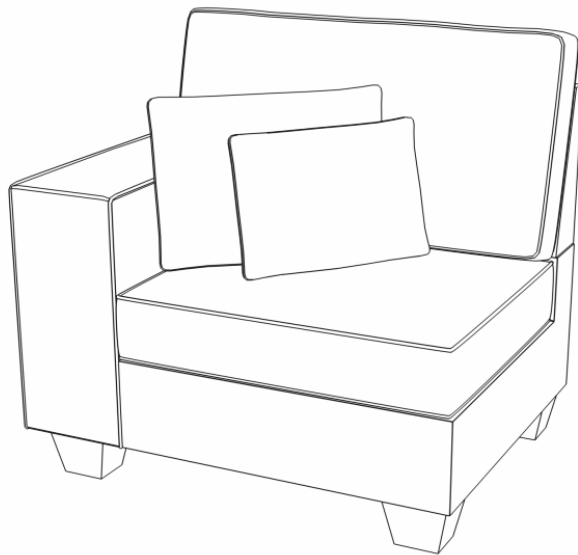
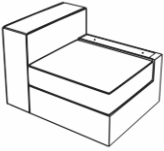

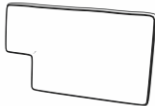




ASSEMBLY INSTRUCTION



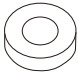
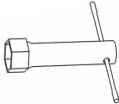

ITEM NO: D6014-L / D6015-L / D6115-L



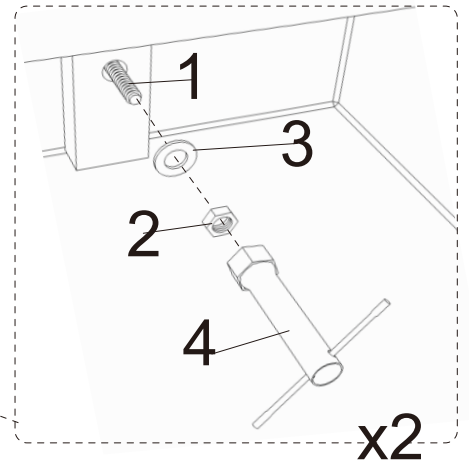
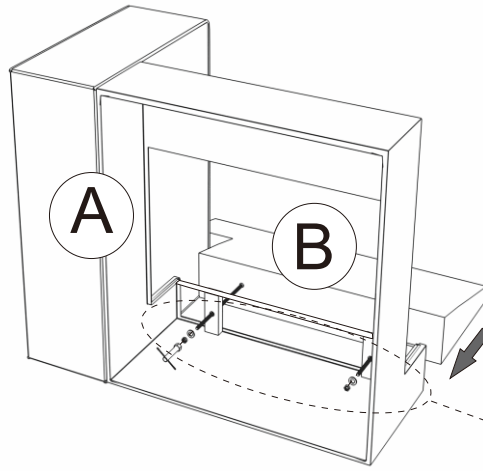
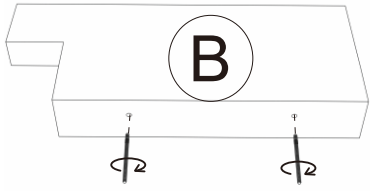
PARTS LIST

				
A x1	B x1	C x1	D x1	E x1

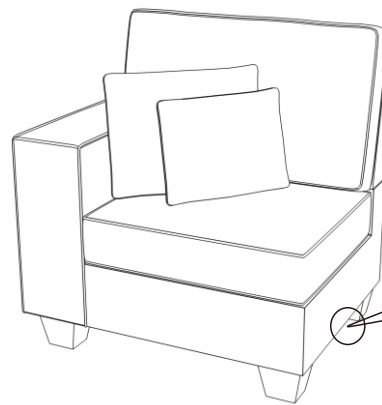
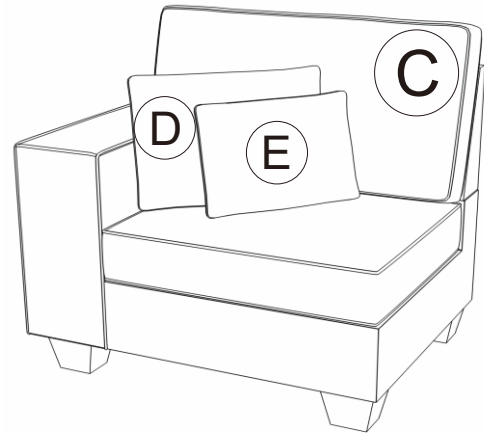
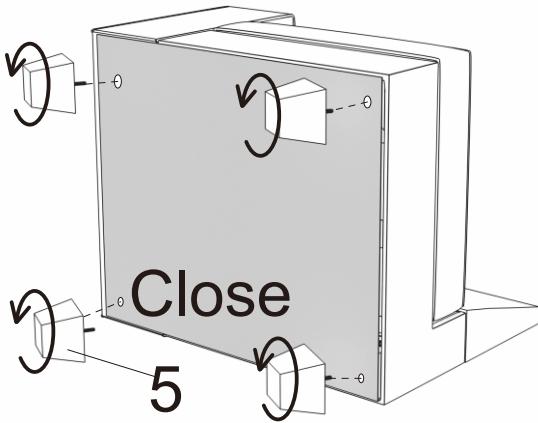
HARDWARE LIST

				
1 Bolt x2	2 Nut x2	3 Washer x2	4 Wrench x1	5 Leg x4

Step1



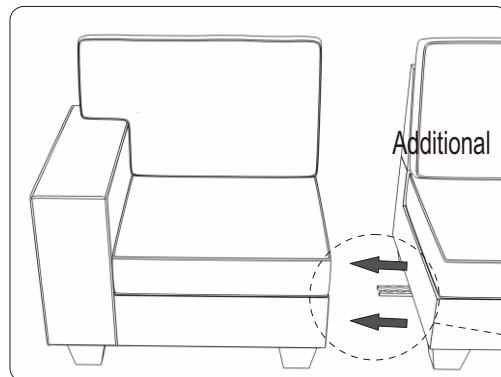
Step2



this is the bottom connector.



Can be combined with the same series of products.



Additional

