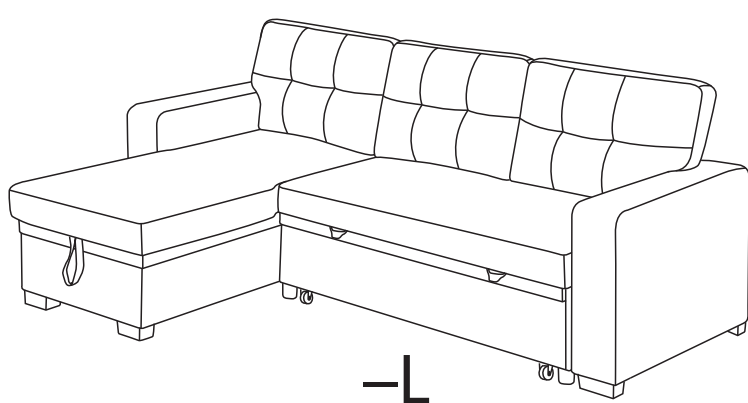
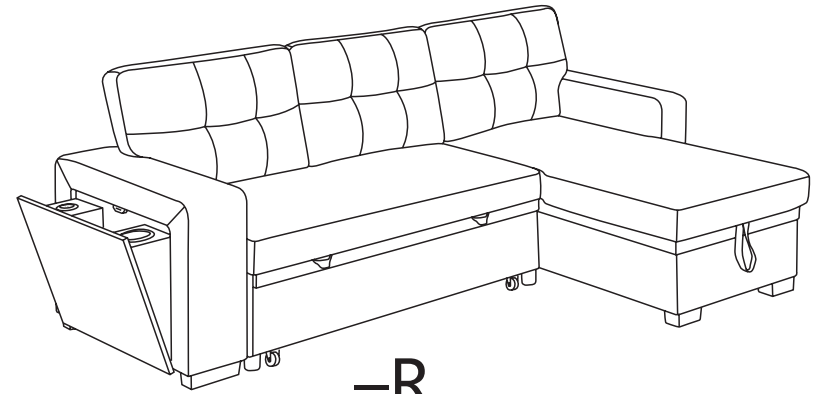


ASSEMBLY INSTRUCTION

ITEM NO.: DV5075/DV5076/DV5077/DV5078

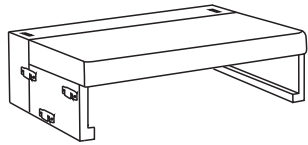


-L



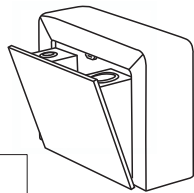
-R

PARTS LIST



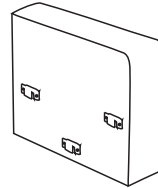
A

X1



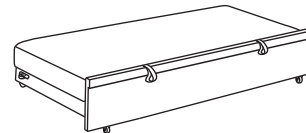
B

X1



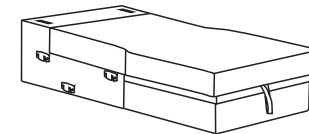
C

X1



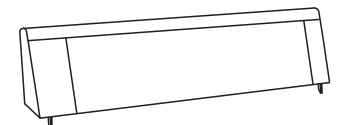
D

X1



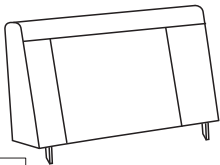
E

X1



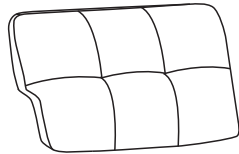
F

X1



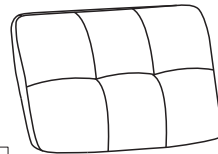
G

X1



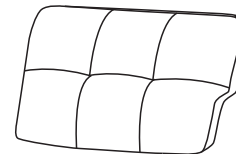
H

X1



I

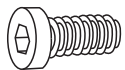
X1



J

X1

HARDWARE LIST



M6X25

1

X8



M4

2

X1



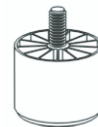
3

X4



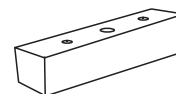
4

X4



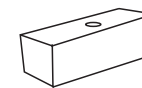
5

X6



6

X2



7

X4



M8X60

8

X6

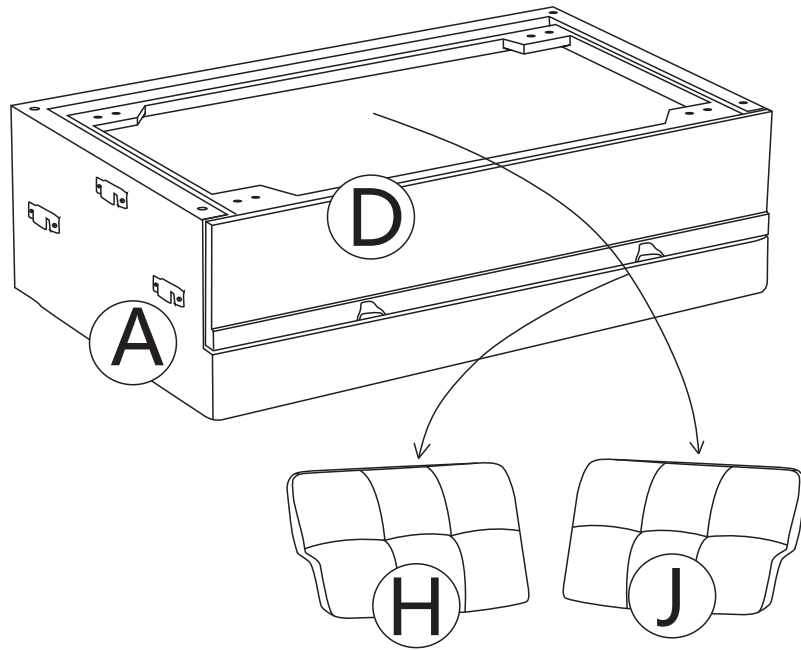


M5

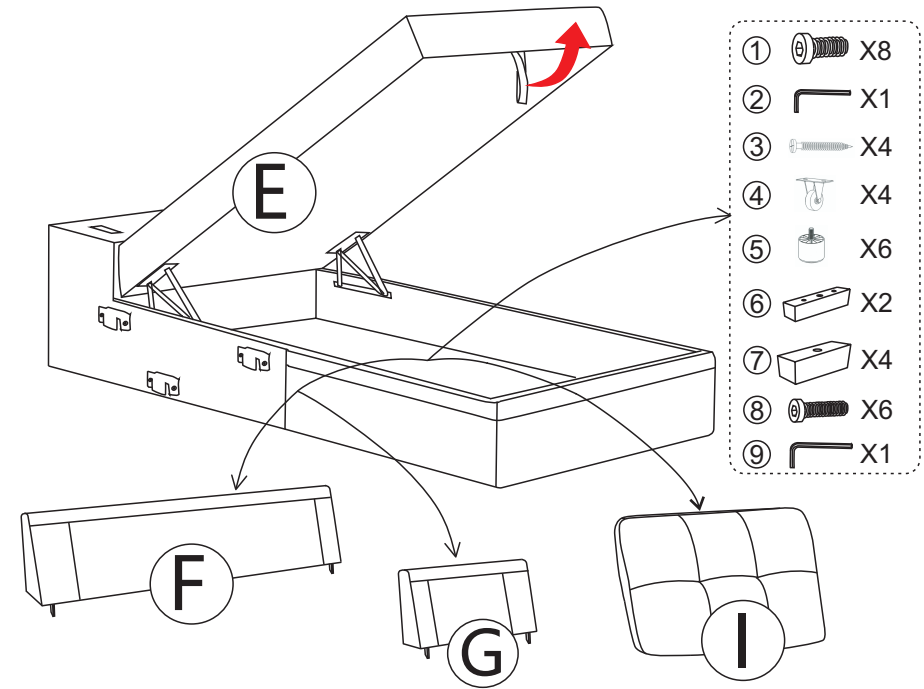
9

X1

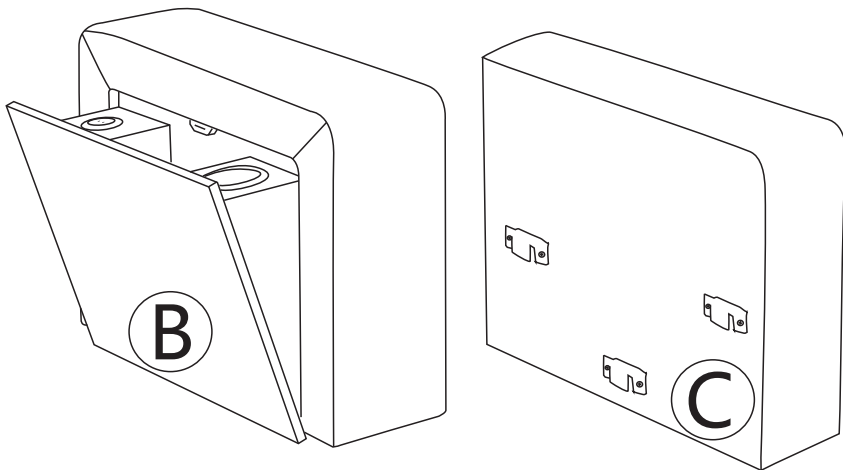
BOX -1 HARDWARE LIST



BOX -2 HARDWARE LIST



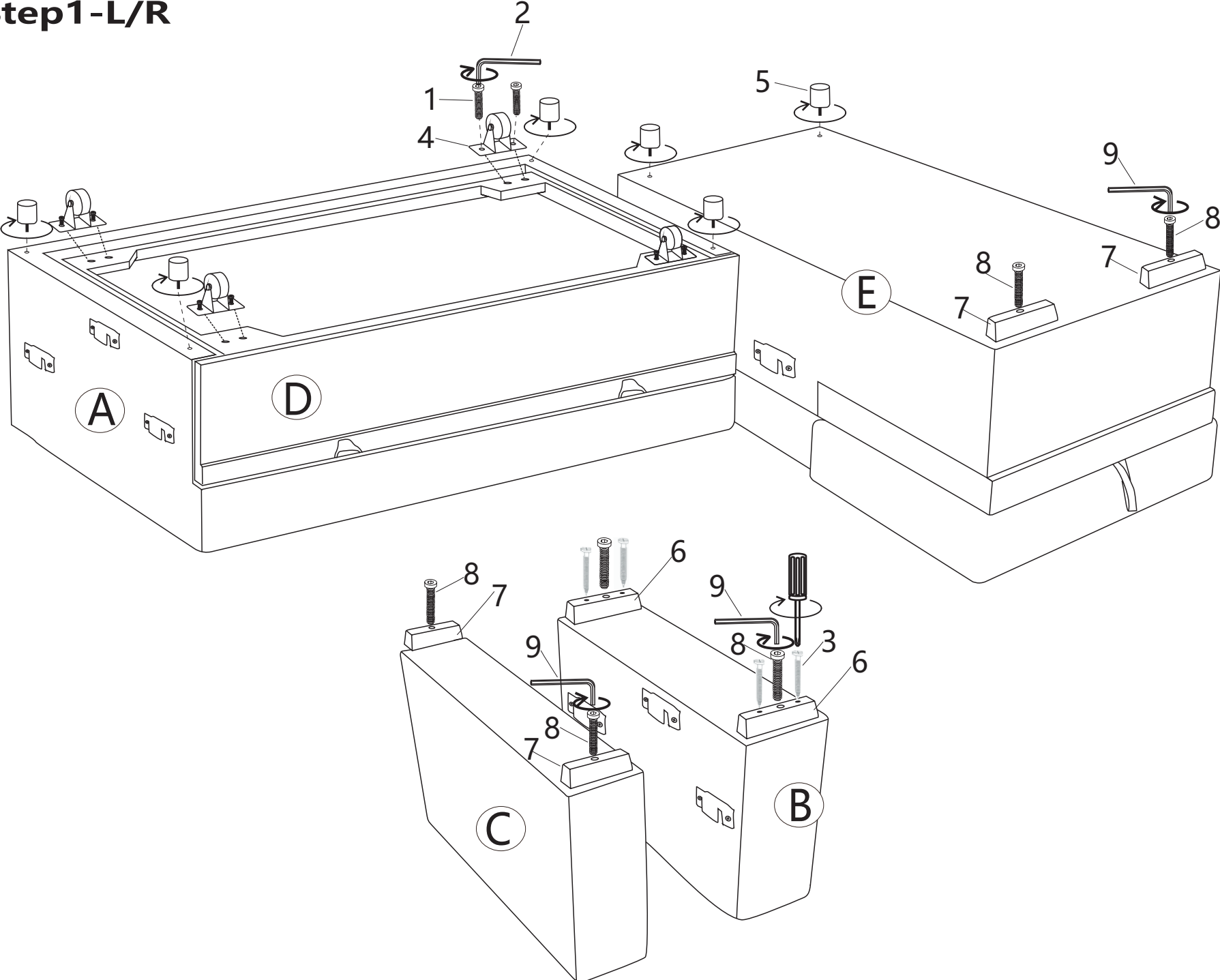
BOX -3 HARDWARE LIST



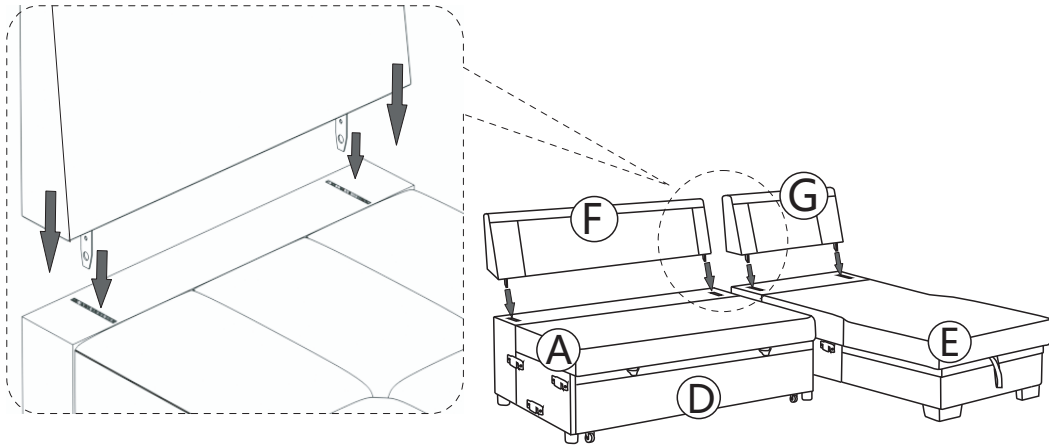
Unpacking steps:

1. BOX-2
2. BOX-1
3. BOX-3

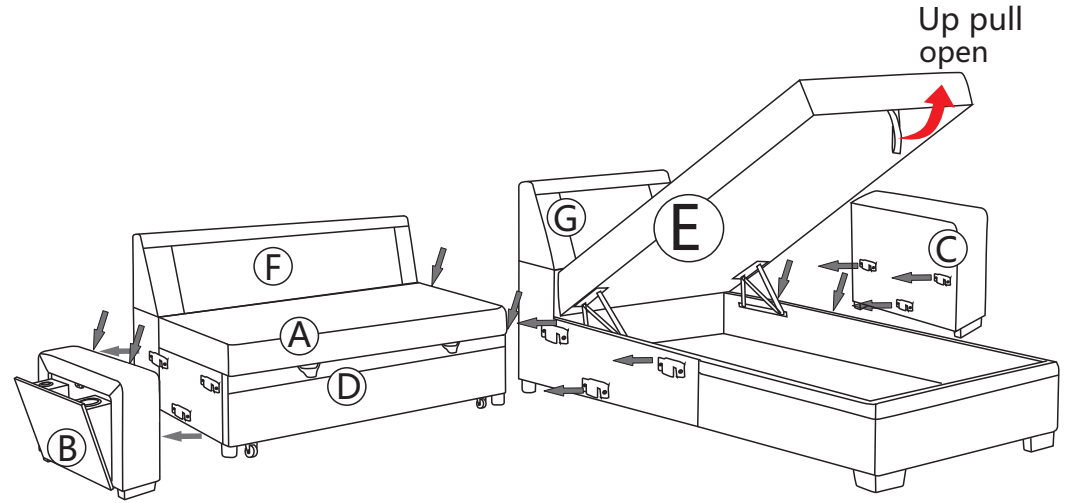
Step1-L/R



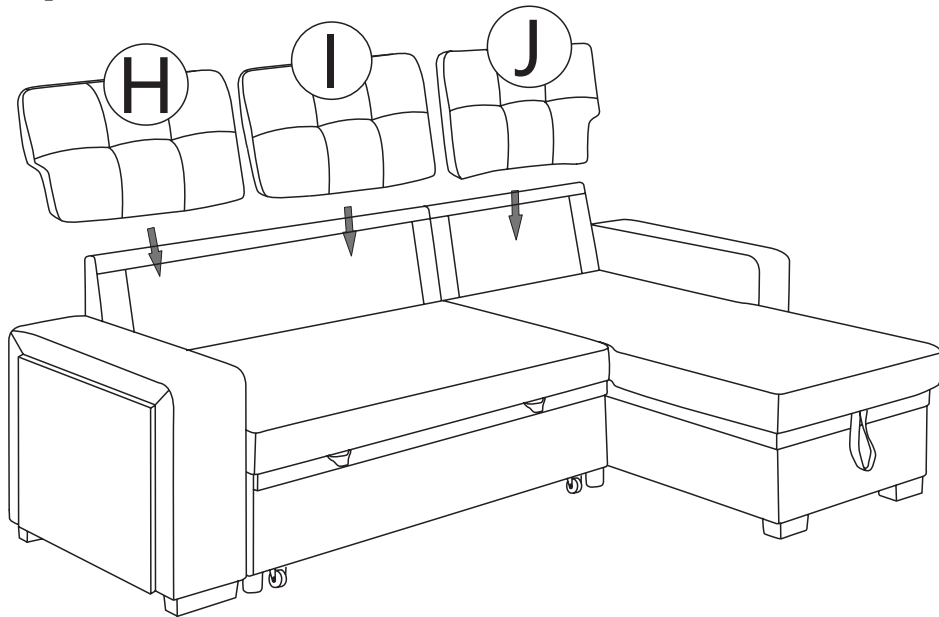
Step2-L/R



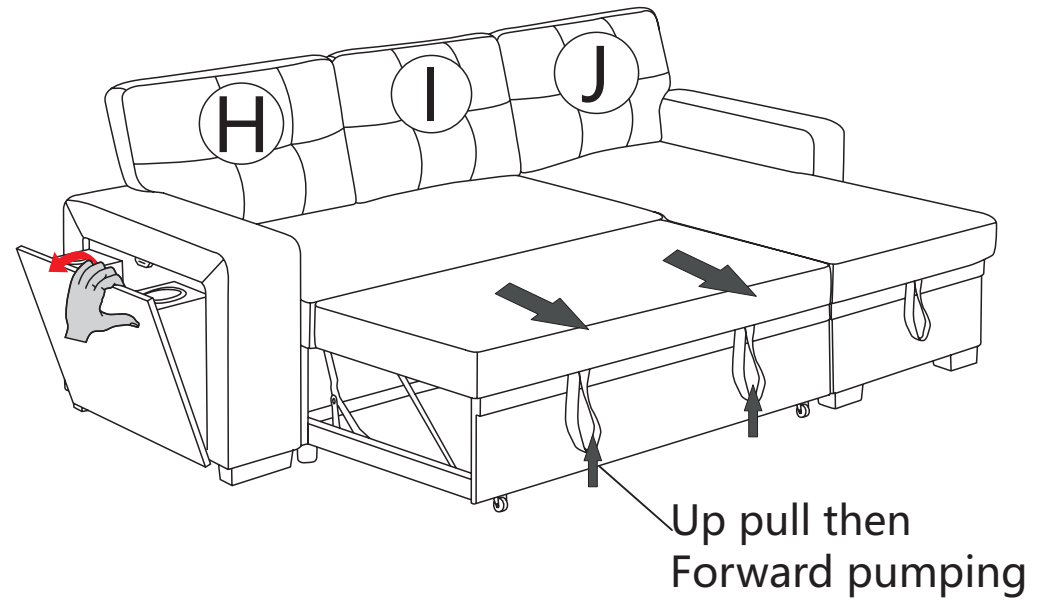
Step3-R



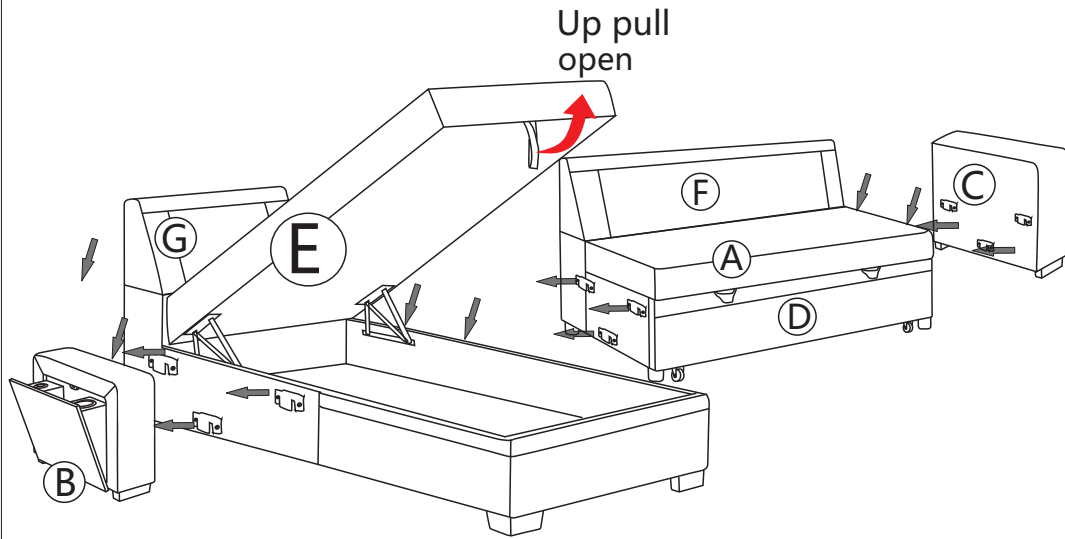
Step4-R



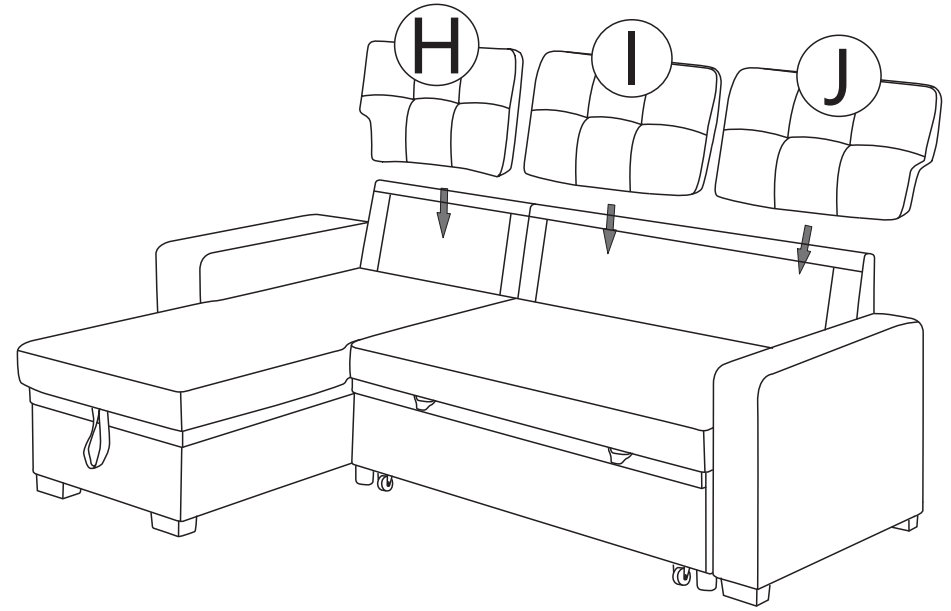
Step5-R



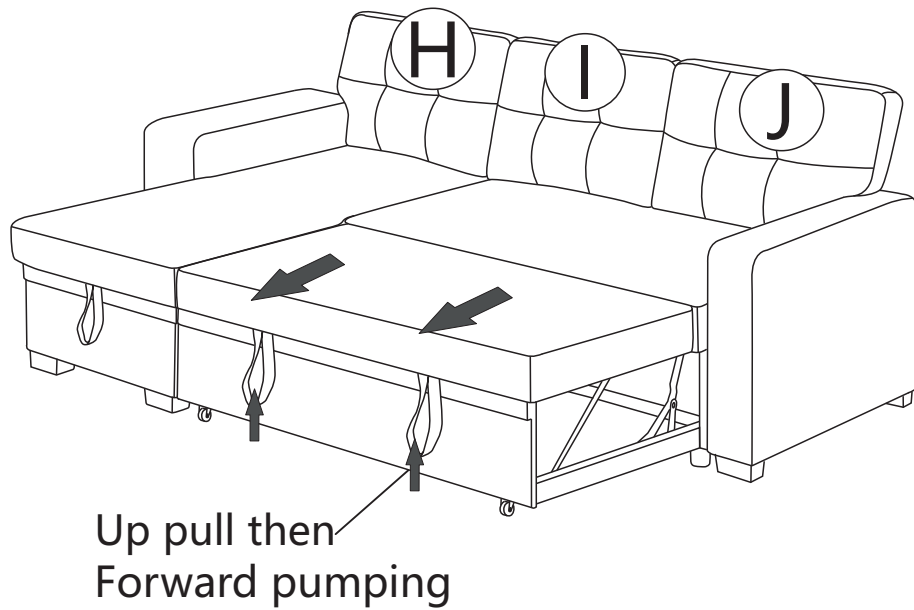
Step3-L



Step4-L



Step5-L



Step6-L

