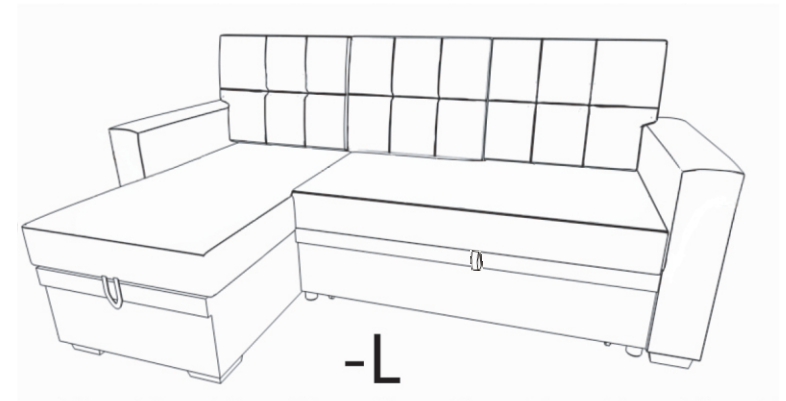
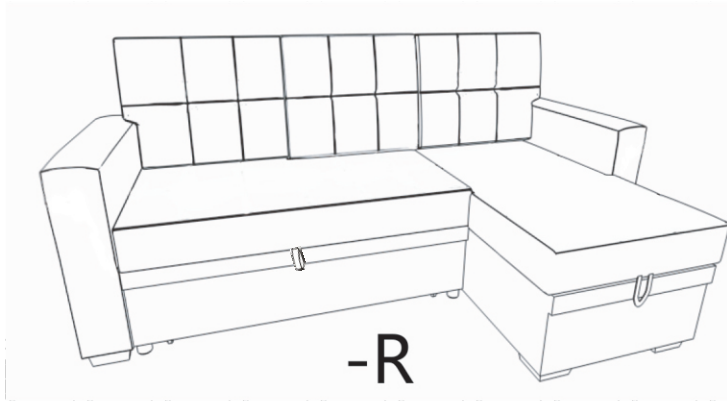

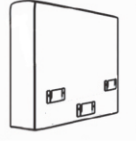
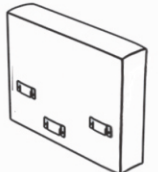
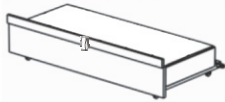

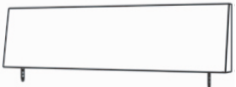

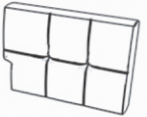

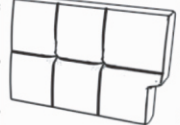




ASSEMBLY INSTRUCTION





ITEM NO.:DV5011/DV5012/DV5013/DV5014/DV5015/DV5016

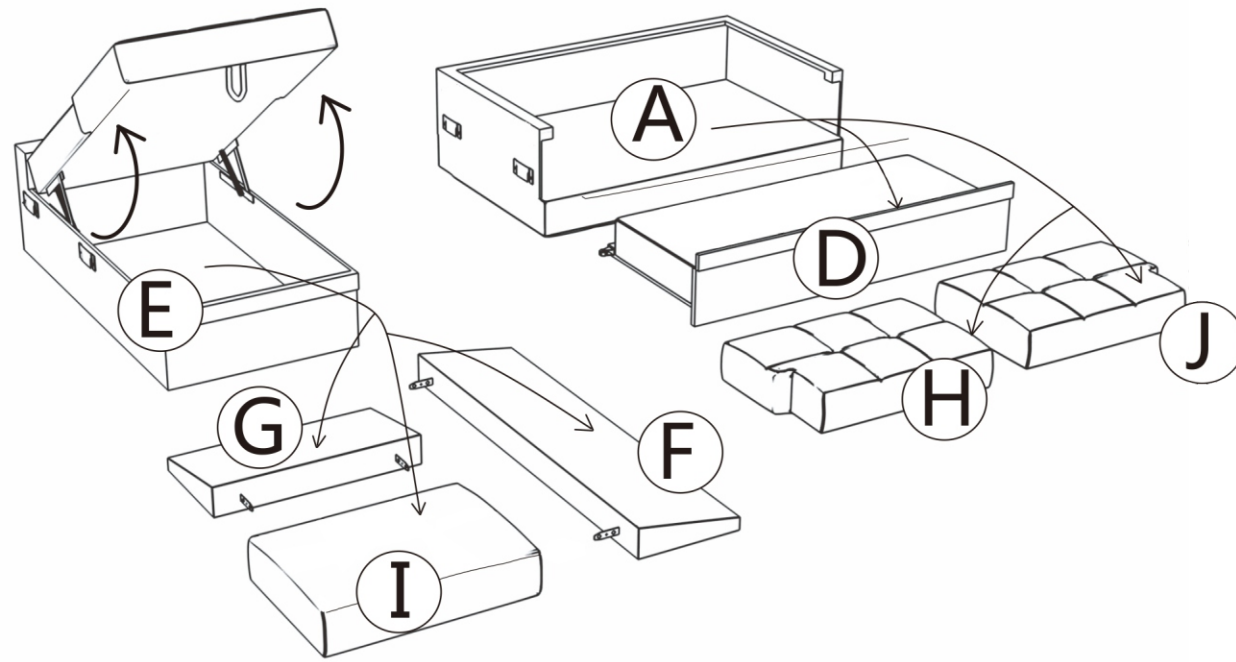


PARTS LIST

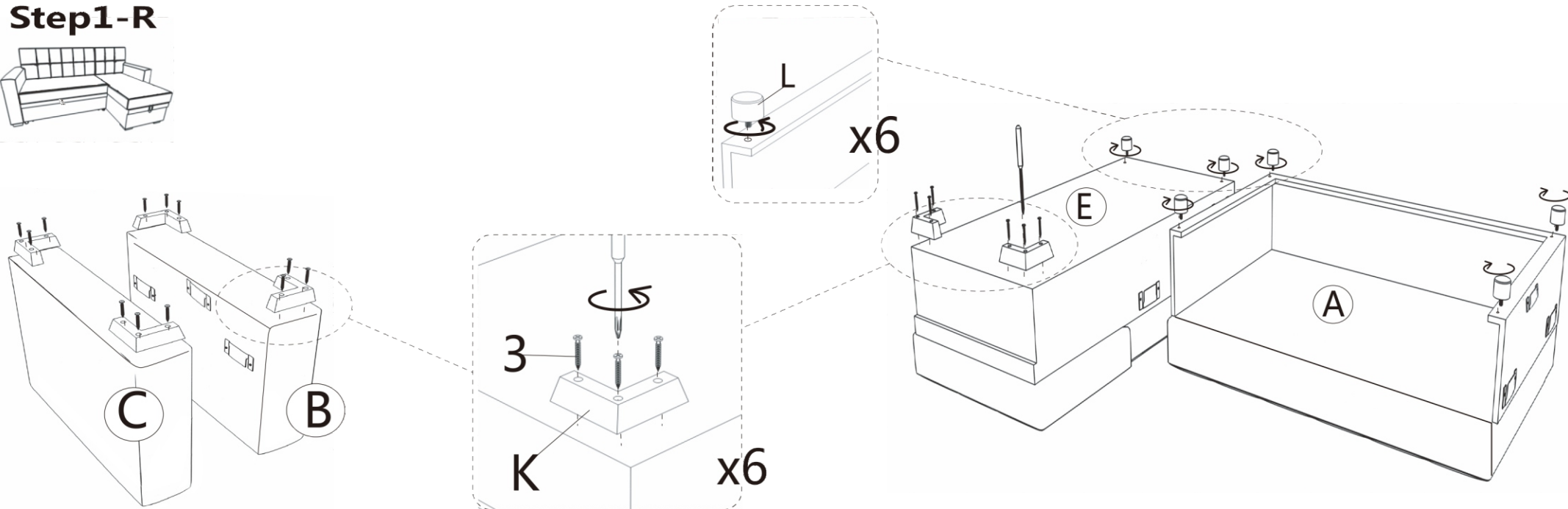
					
A x1	B x1	C x1	D x1	E x1	F x1
					
G x1	H x1	I x1	J x1	K x6	L x6

HARDWARE LIST

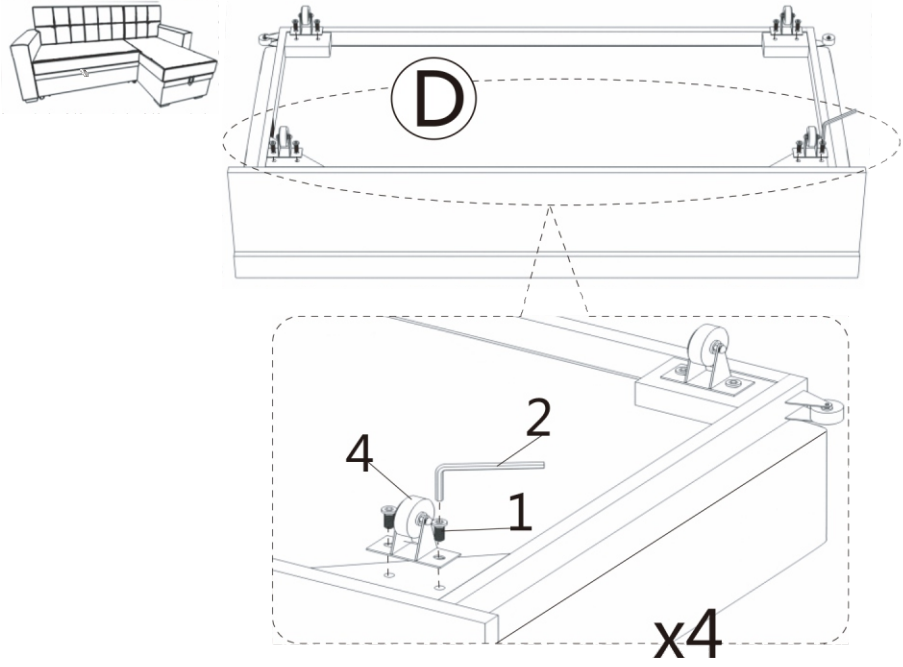
					
1 x8	2 x1	3 x18	4 x4		



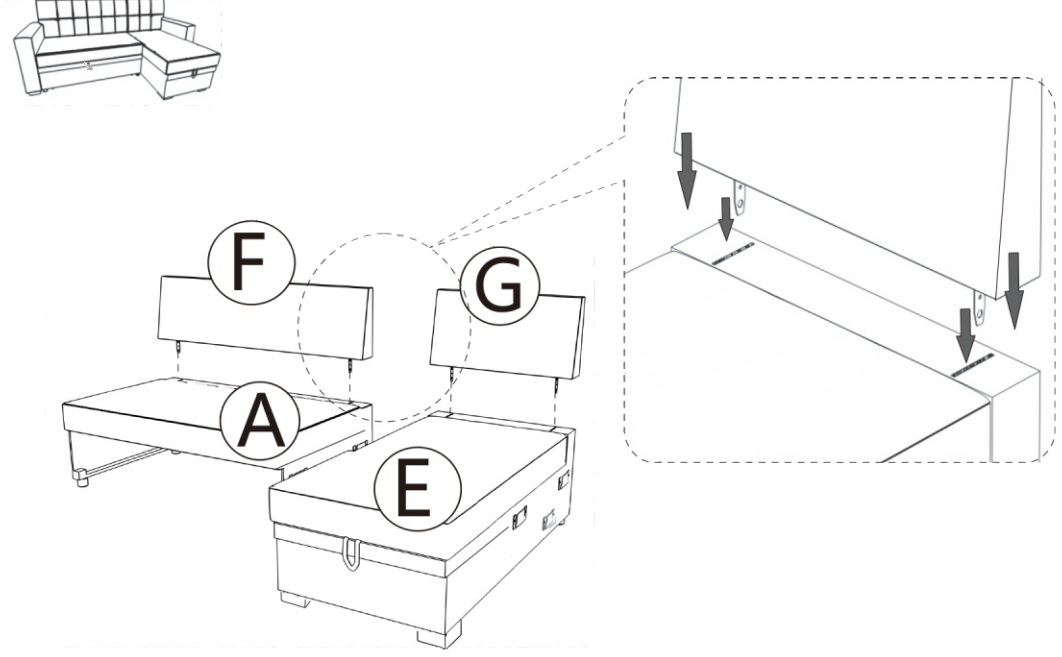
Step 1-R



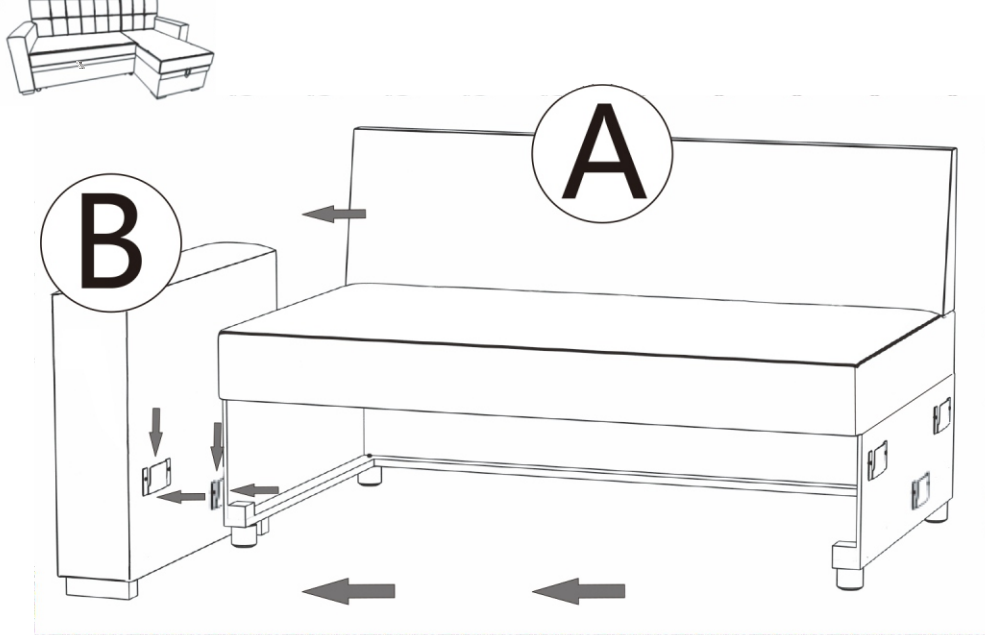
Step2-R



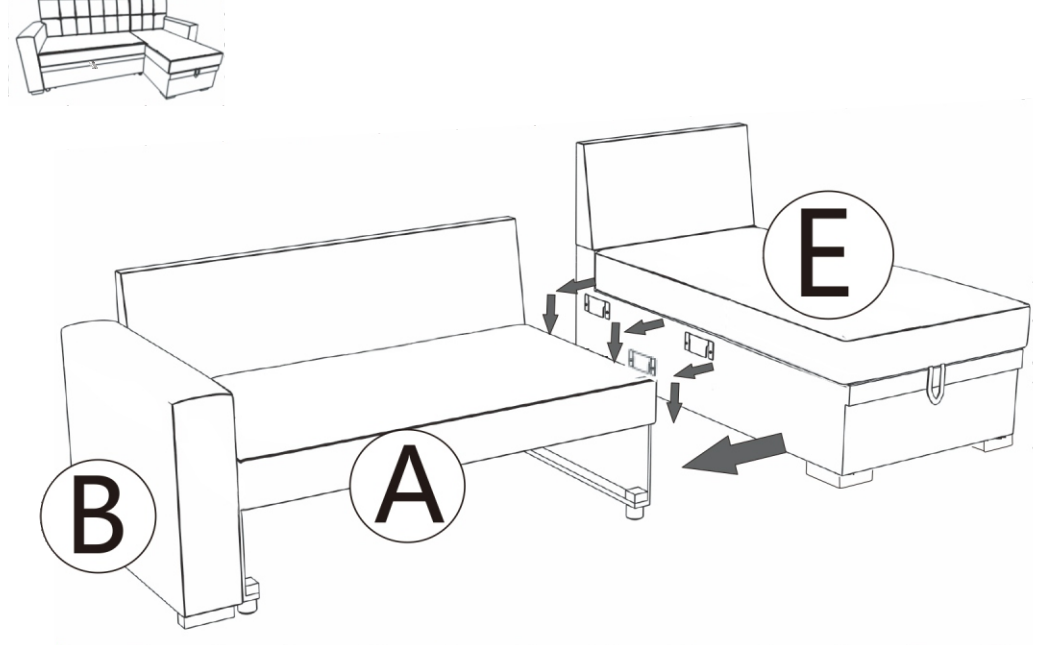
Step3-R



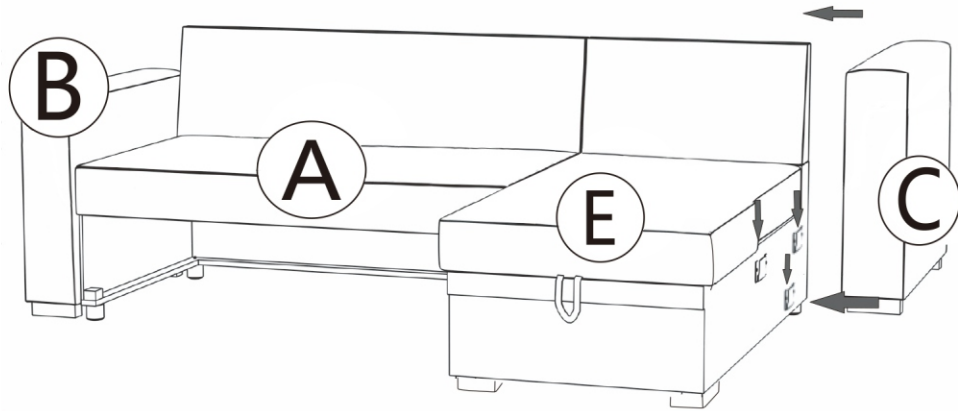
Step4-R



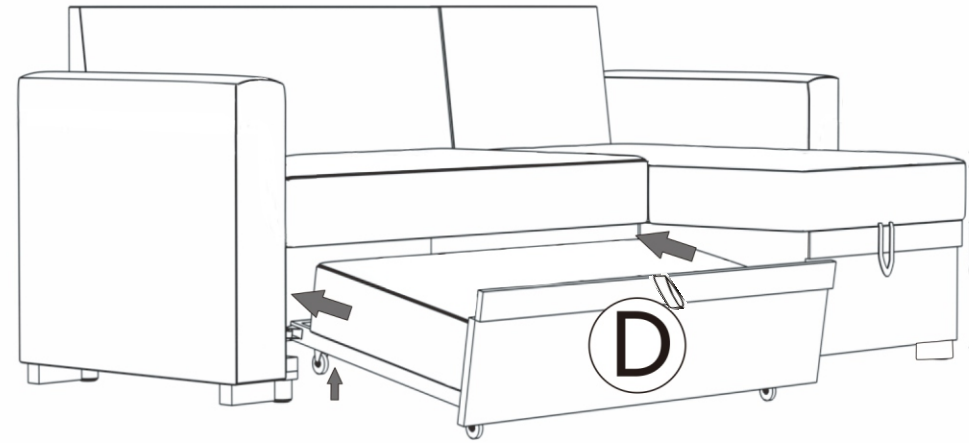
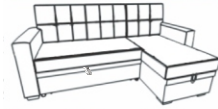
Step5-R



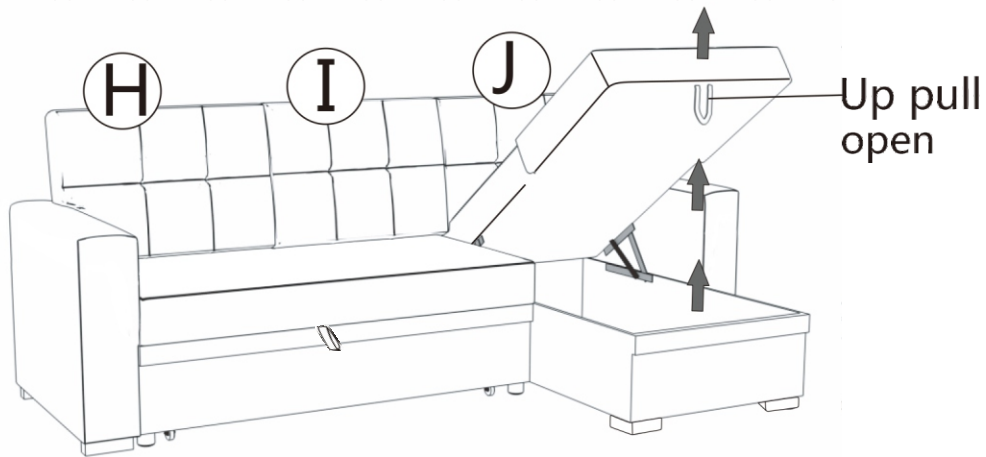
Step6-R



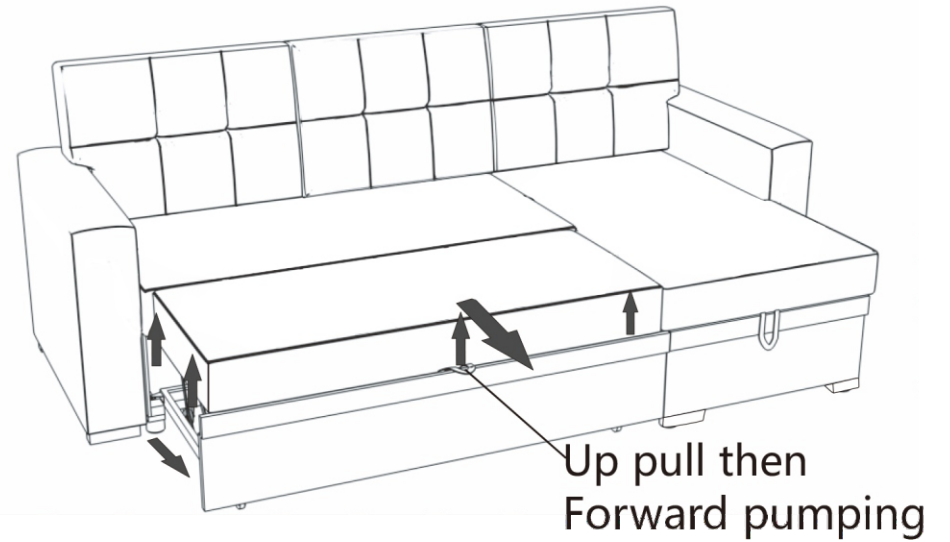
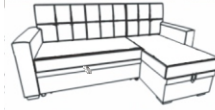
Step7-R



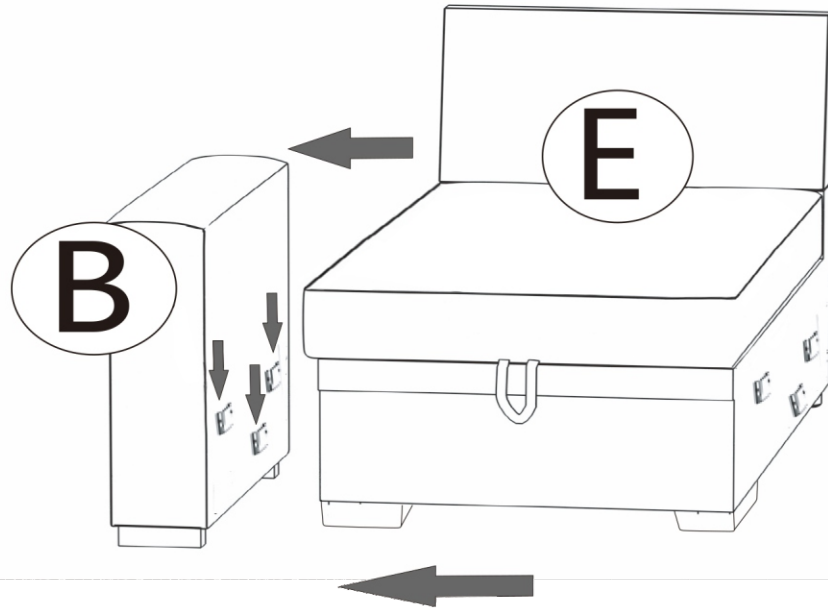
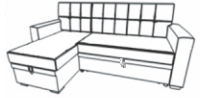
Step8-R



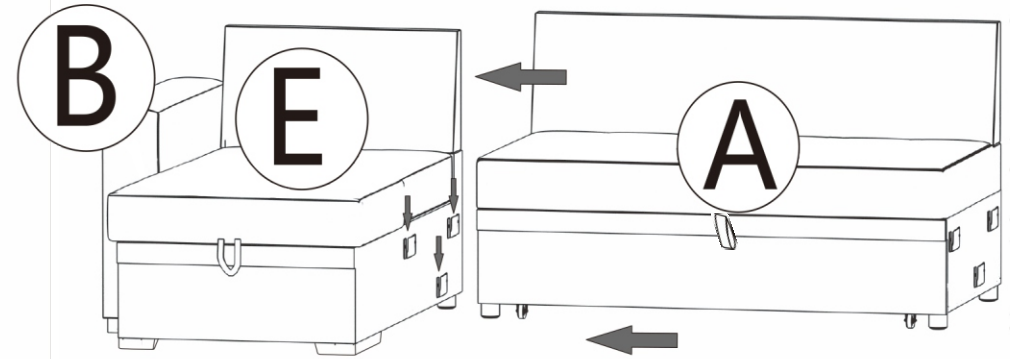
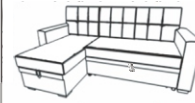
Step9-R



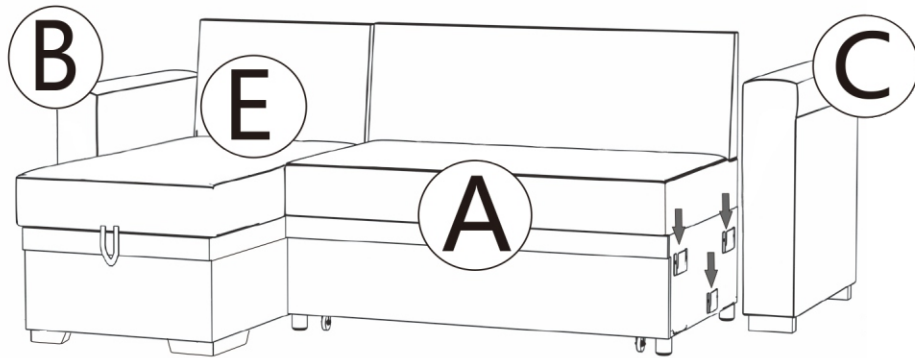
Step1-L



Step2-L



Step3-L



Step4-L

