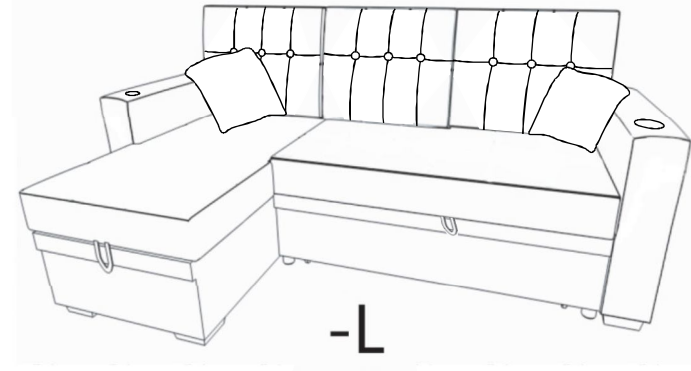
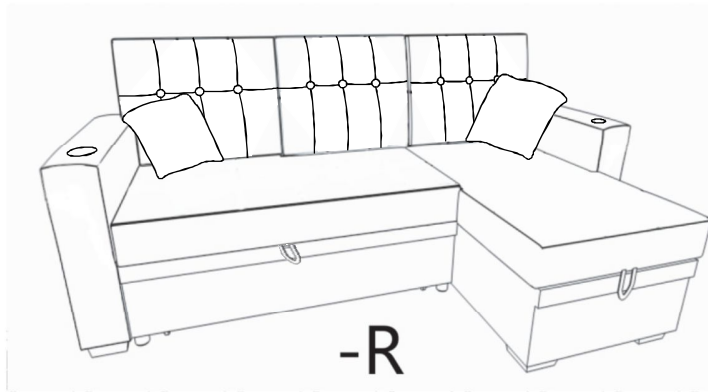
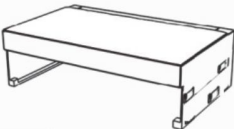
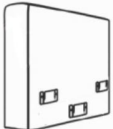
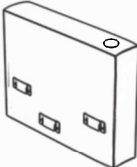
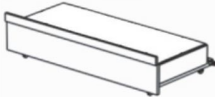

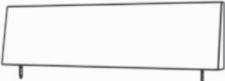

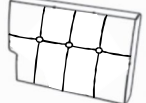

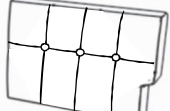
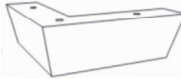



ASSEMBLY INSTRUCTION





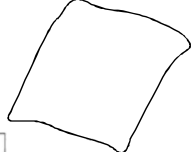
ITEM NO.:DV5321/DV5322/DV5323/DV5324/DV5325

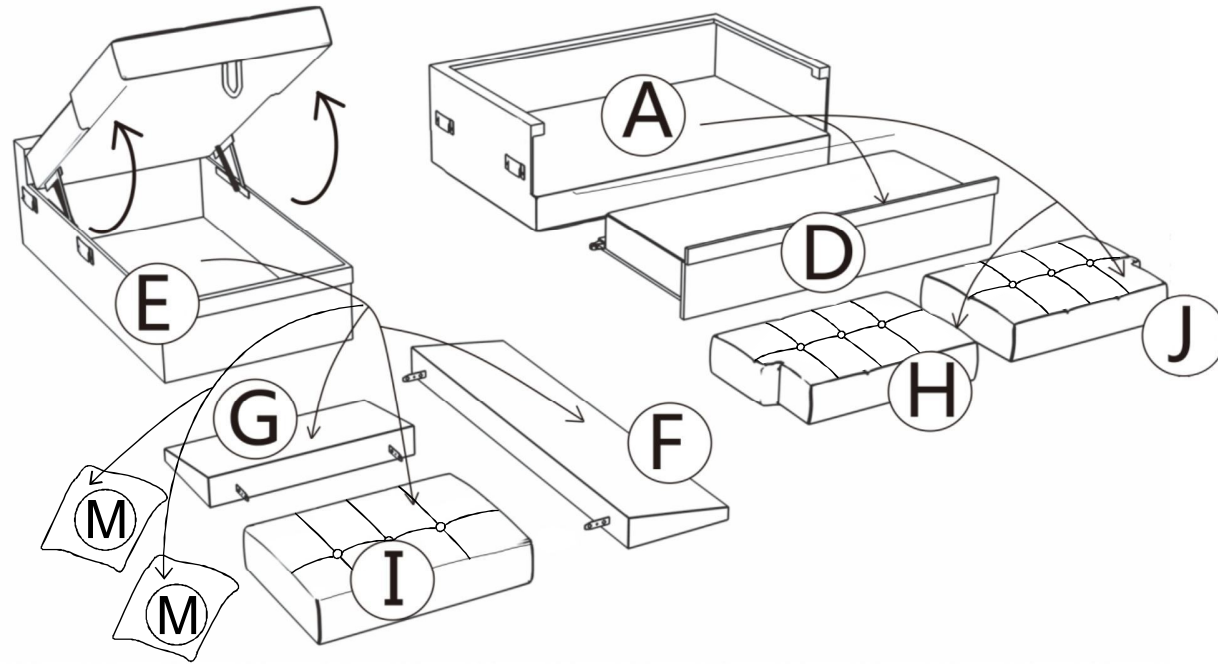


PARTS LIST

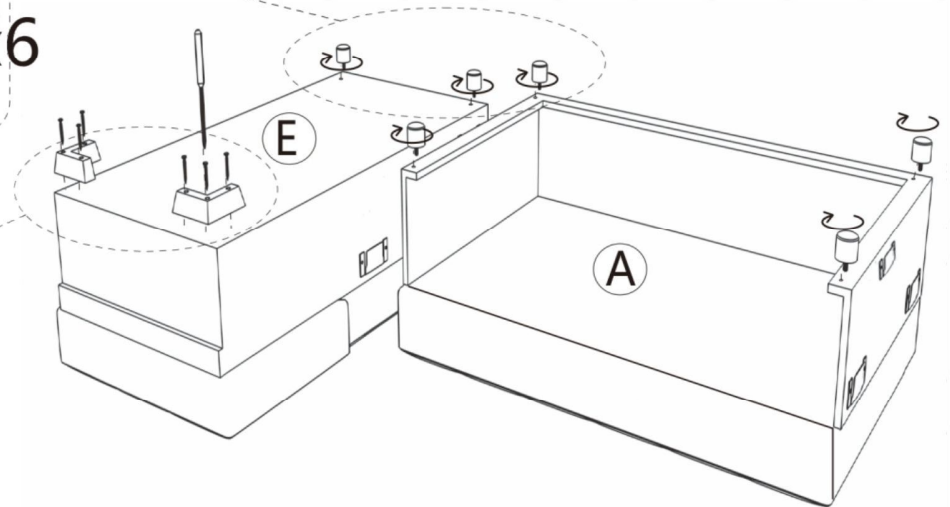
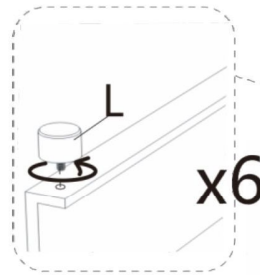
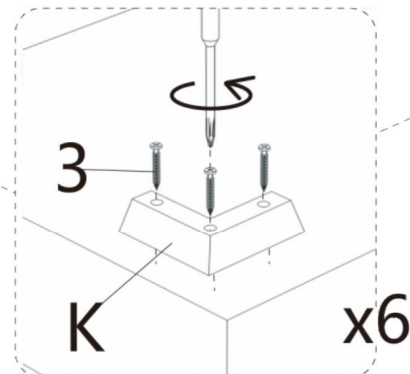
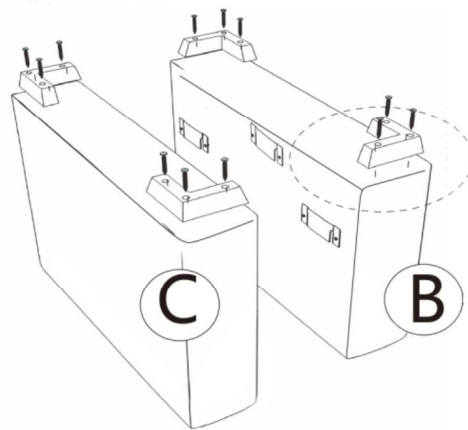
					
A x1	B x1	C x1	D x1	E x1	F x1
					
G x1	H x1	I x1	J x1	K x6	L x6

HARDWARE LIST

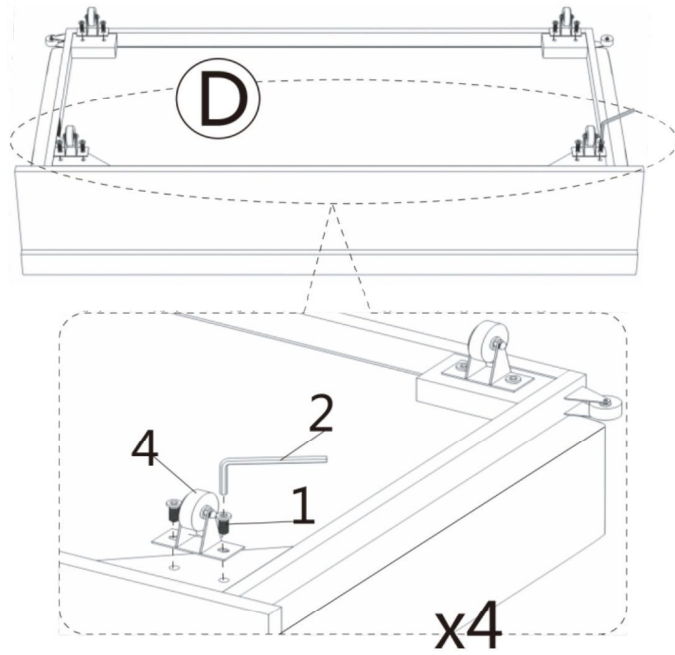
				
1 x8	2 x1	3 x18	4 x4	M x2



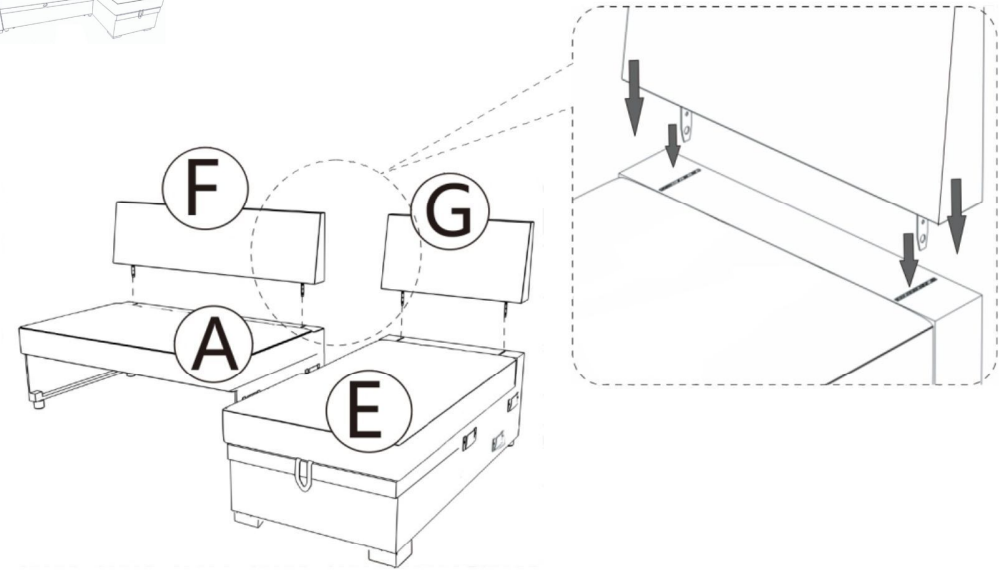
Step 1-R



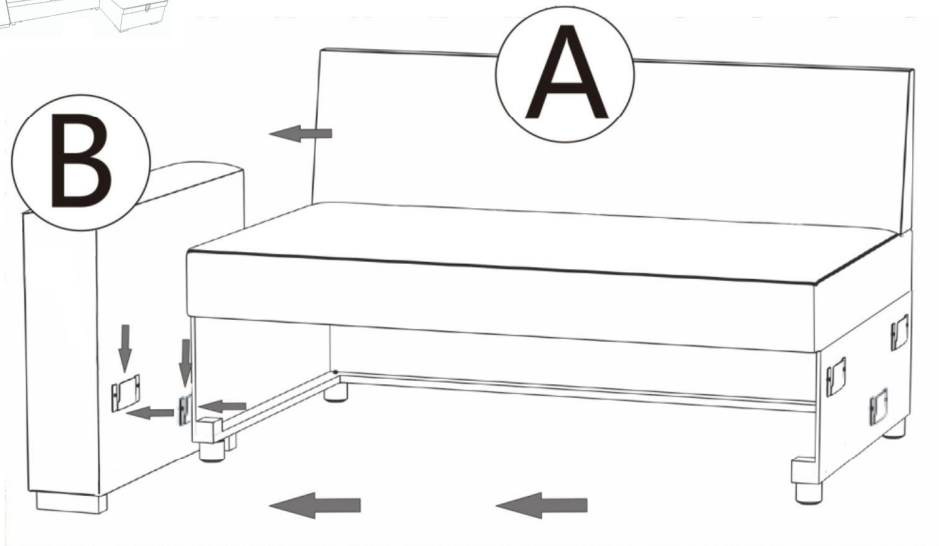
Step2-R



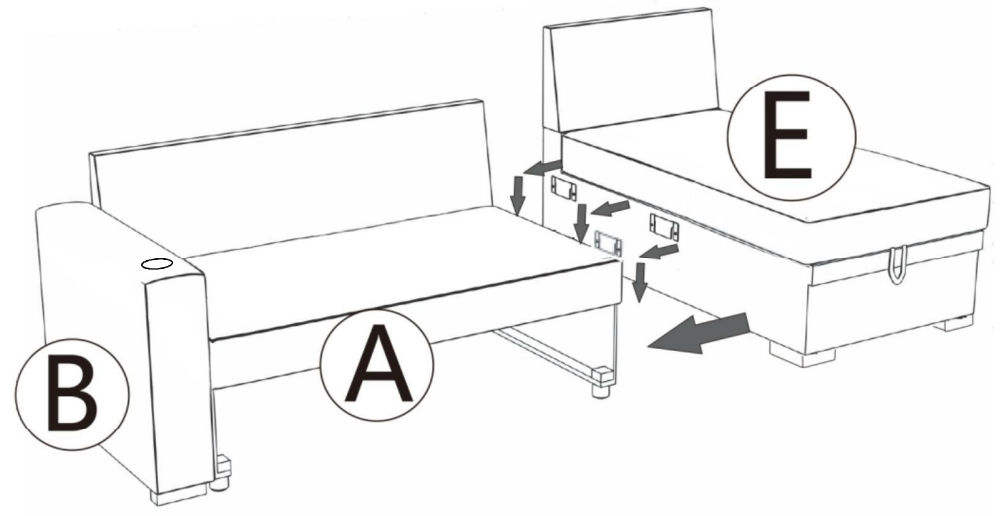
Step3-R



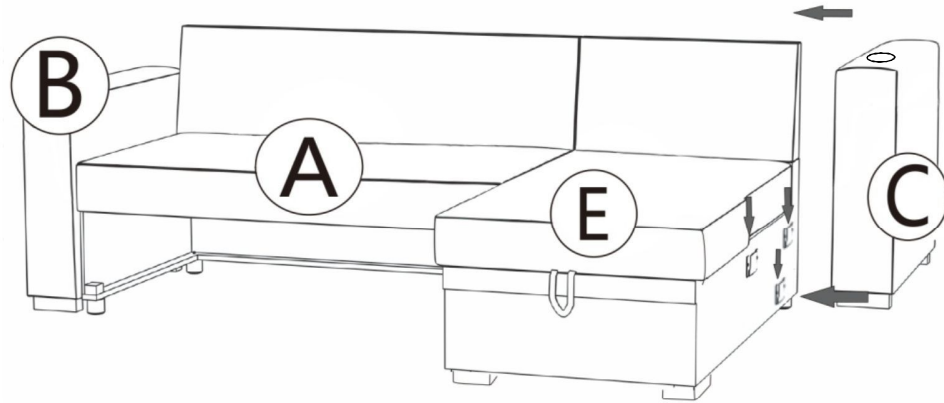
Step4-R



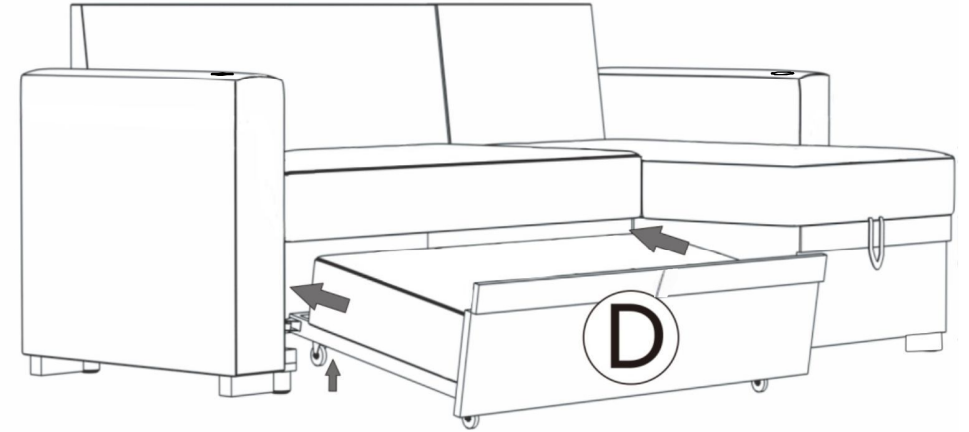
Step5-R



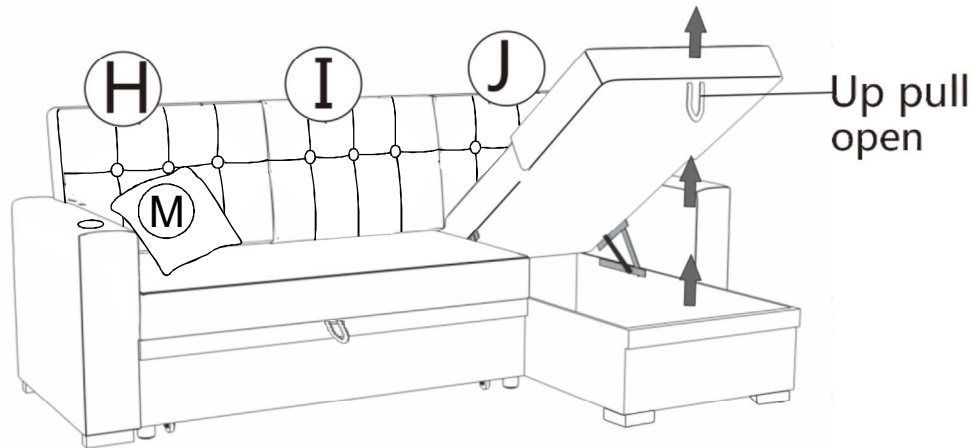
Step6-R



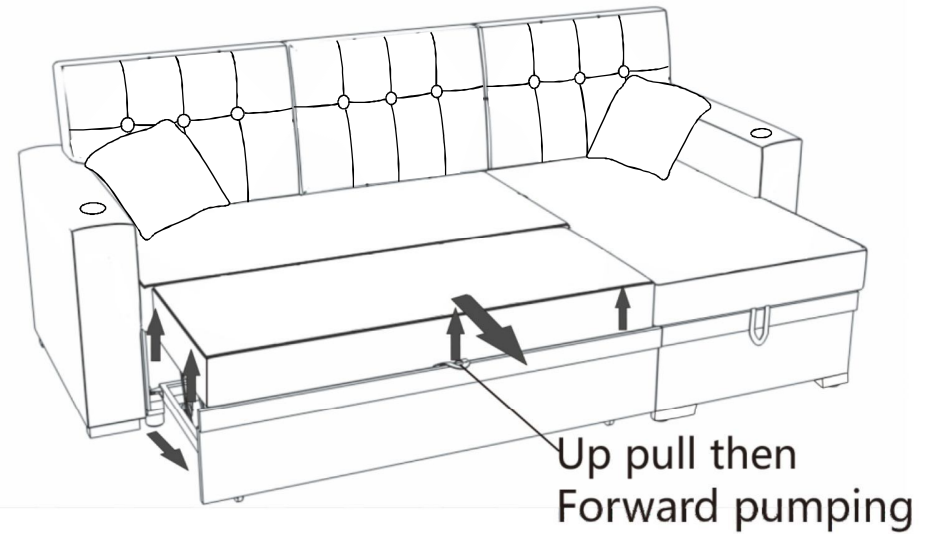
Step7-R



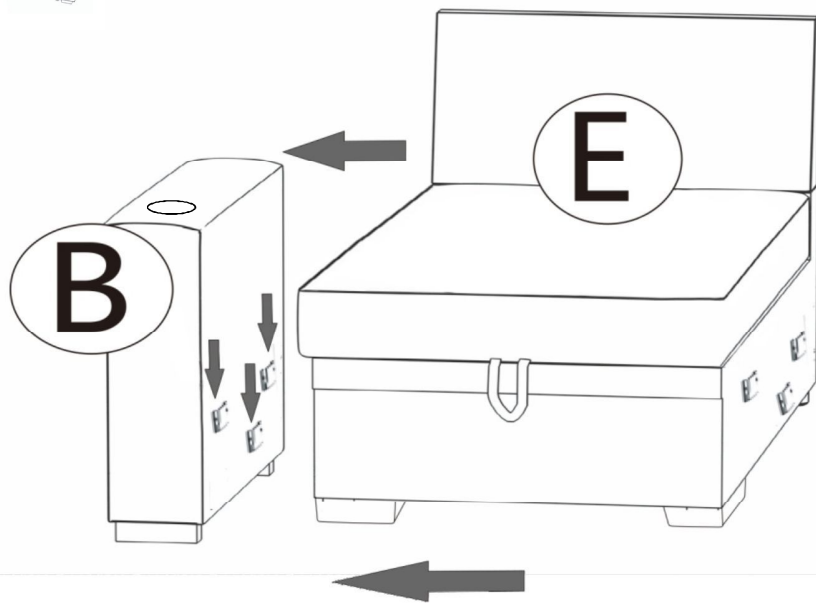
Step8-R



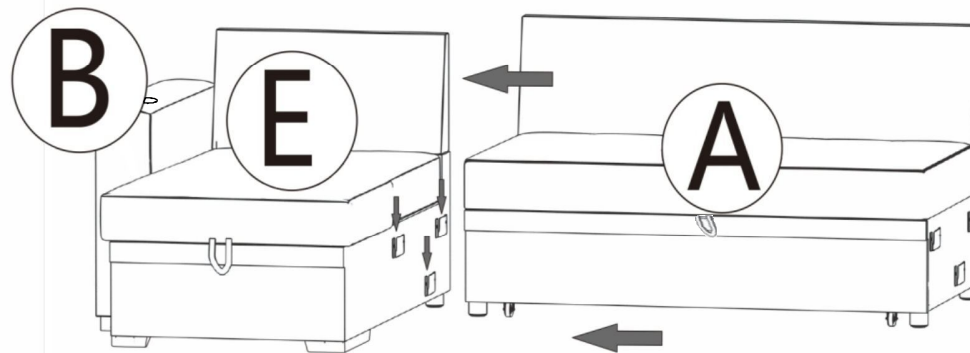
Step9-R



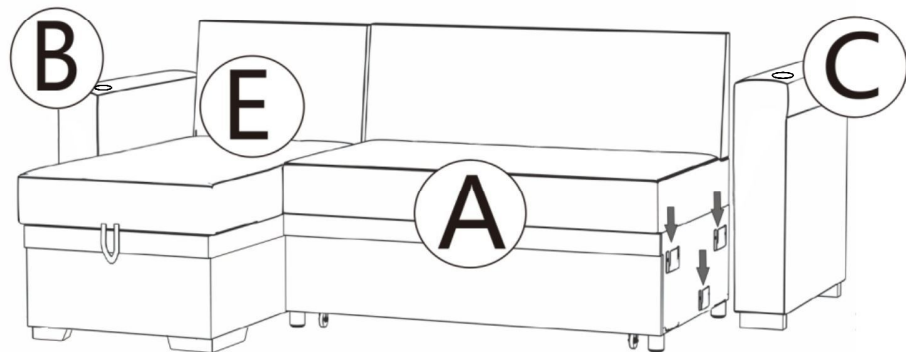
Step1-L



Step2-L



Step3-L



Step4-L

