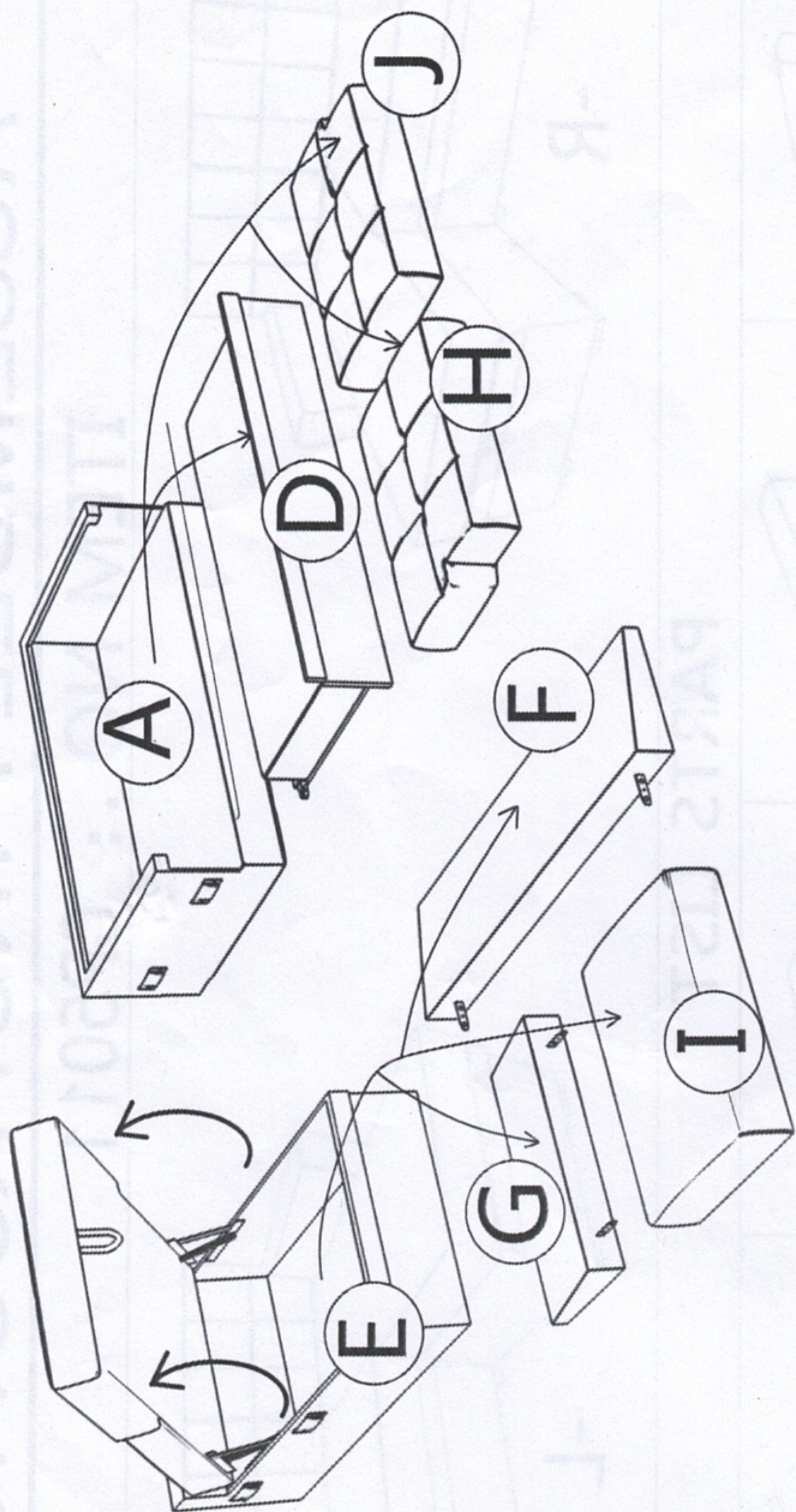


ASSEMBLY INSTRUCTION



Step 1-R

