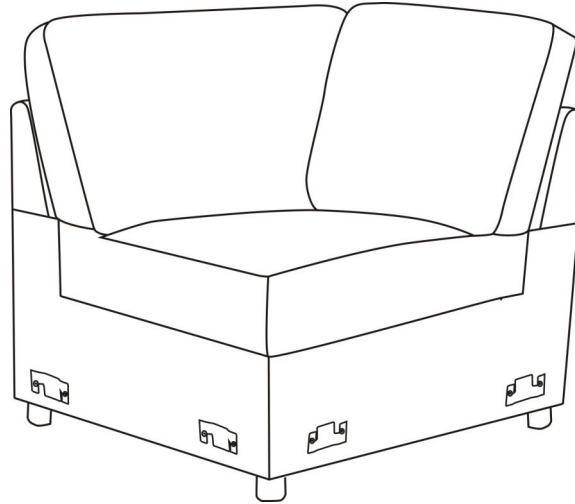
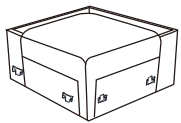


ASSEMBLY INSTRUCTION

ITEM NO.:DV2601/2602/2603/2604

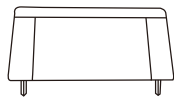


PARTS LIST



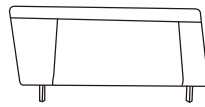
A

x1



B

x1



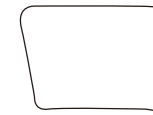
C

x1



D

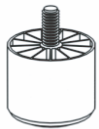
x1



E

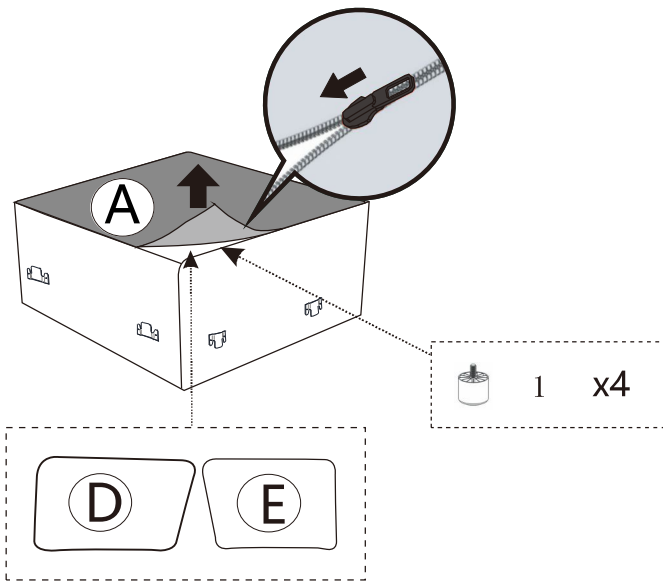
x1

HARDWARE LIST

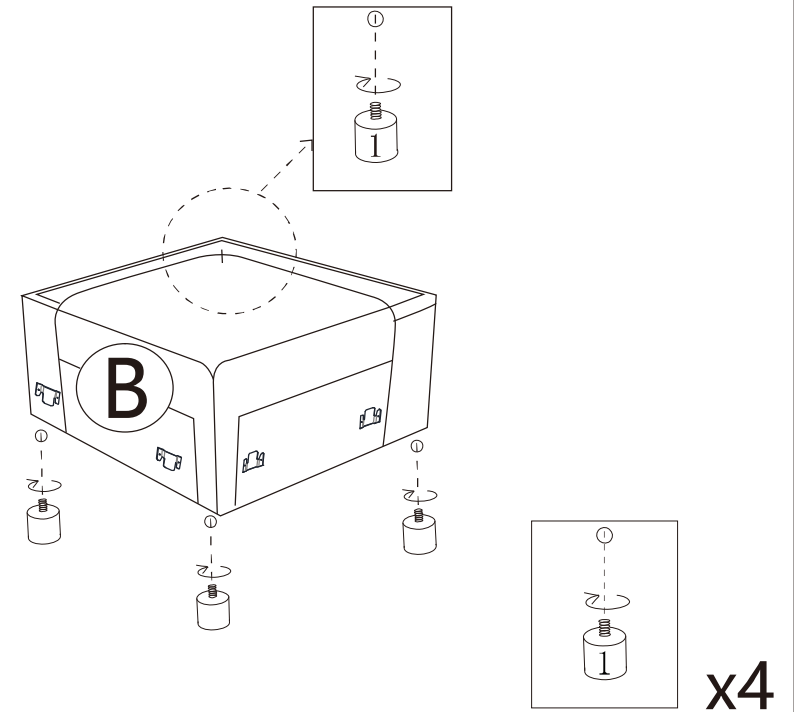


1

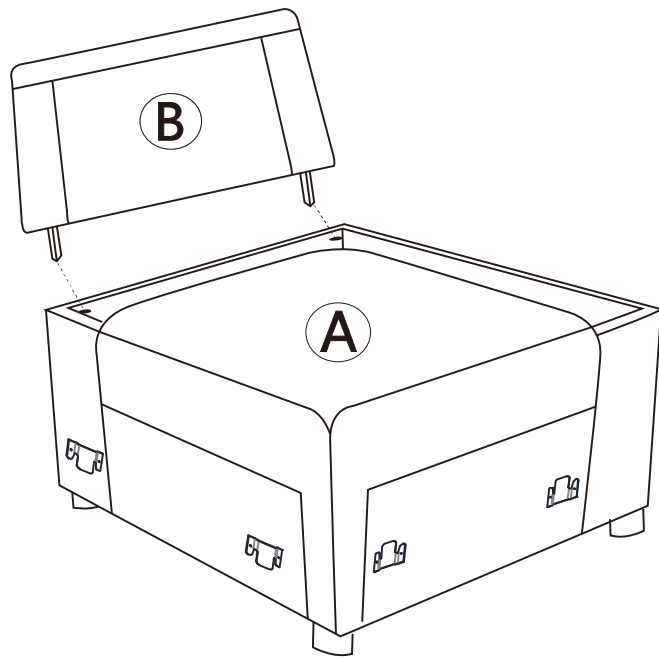
x4



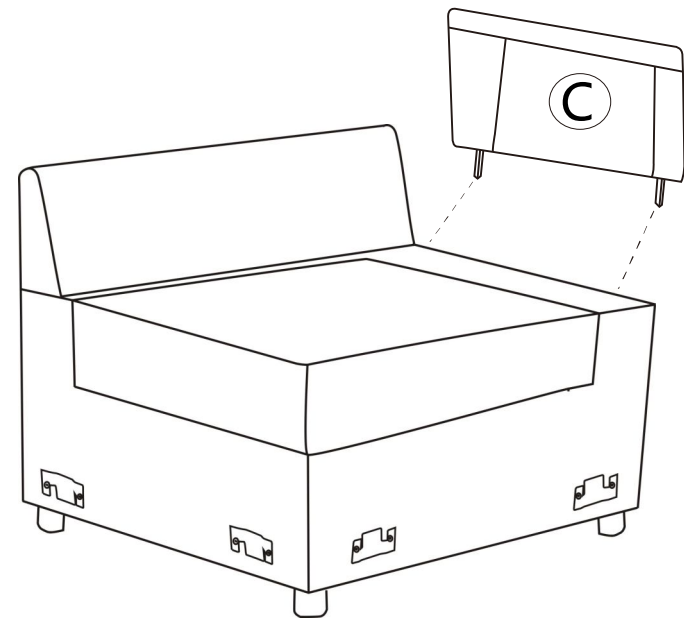
Step1



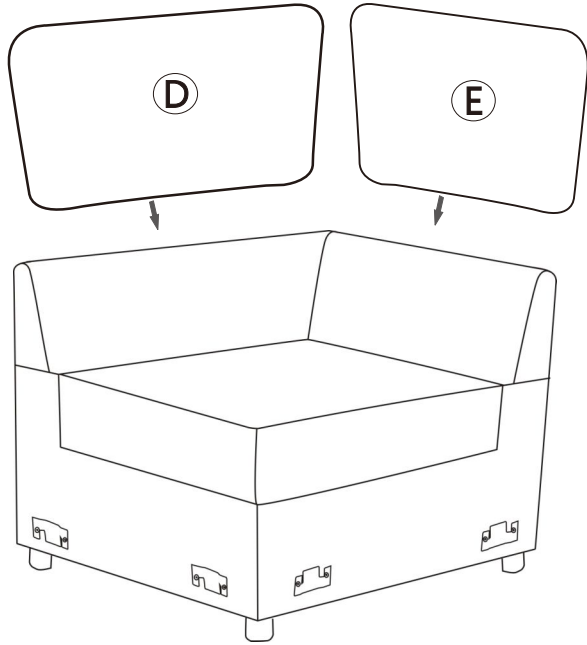
Step2



Step3



Step4



Step5

