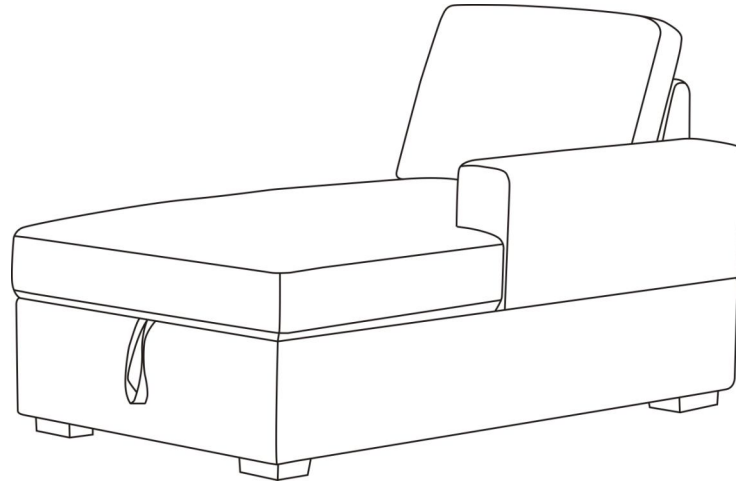
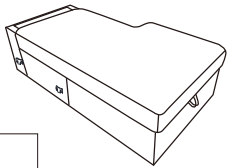


ASSEMBLY INSTRUCTION

ITEM NO.:DV2601/2602/2603/2604

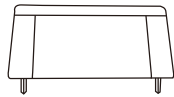


PARTS LIST



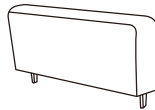
A

x1



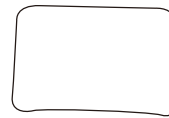
B

x1



C

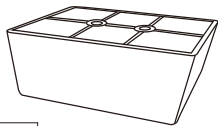
x1



D

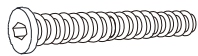
x1

HARDWARE LIST



1

x3



2

x6



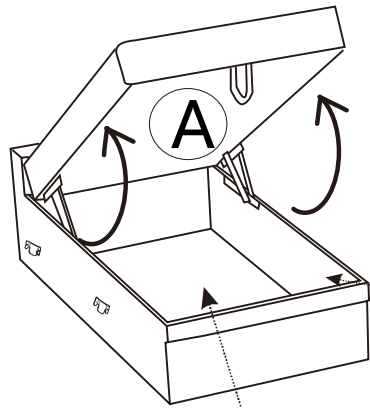
3





x1

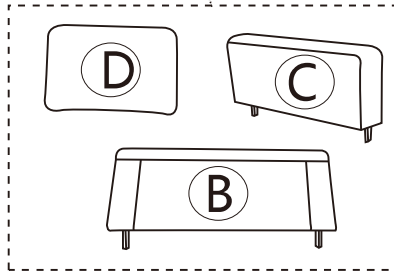


4

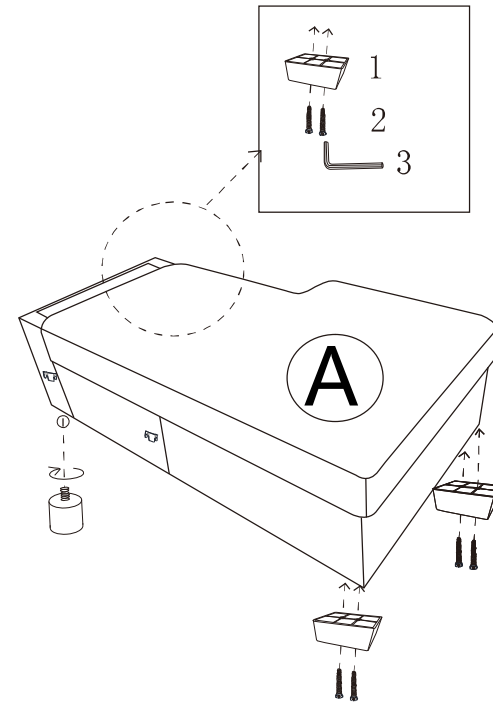
x1



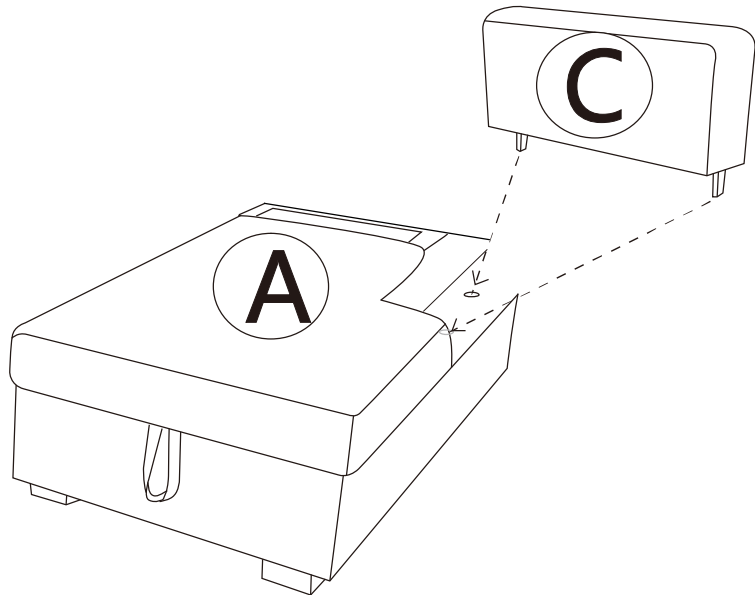
- | | | |
|---|---|----|
|  | 1 | x3 |
|  | 2 | x6 |
|  | 3 | x1 |
|  | 4 | x1 |



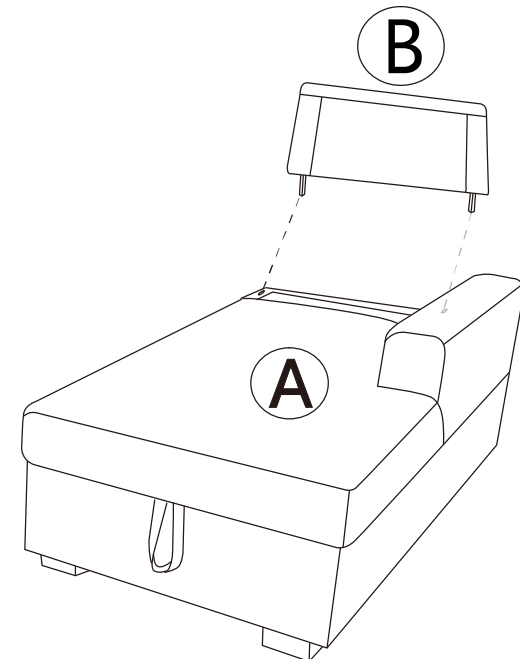
Step1



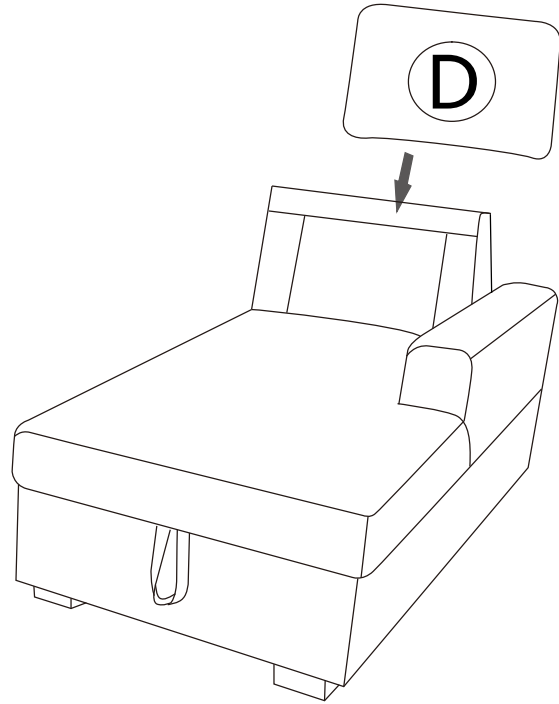
Step2



Step3



Step4



Step5

