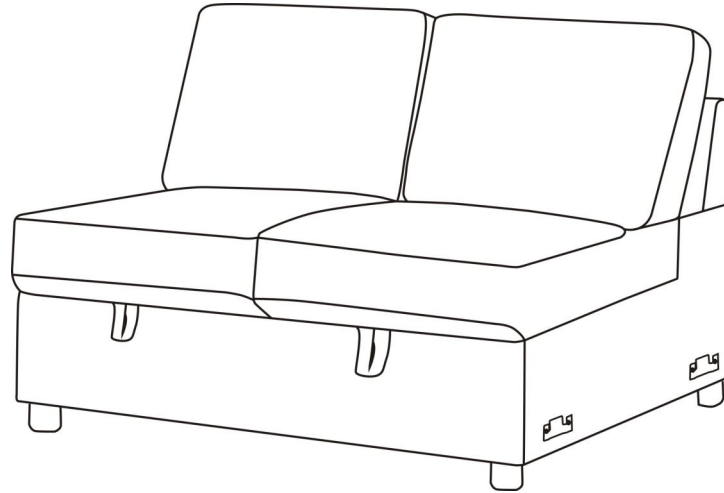
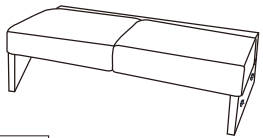


# ASSEMBLY INSTRUCTION

ITEM NO.:DV2601/2602/2603/2604

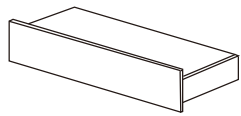


## PARTS LIST



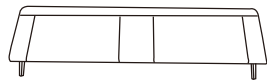
**A**

x1



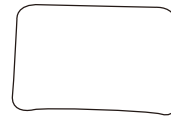
**B**

x1



**C**

x1



**D**

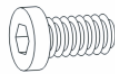
x2

## HARDWARE LIST



**1**

x4



**2**

x8



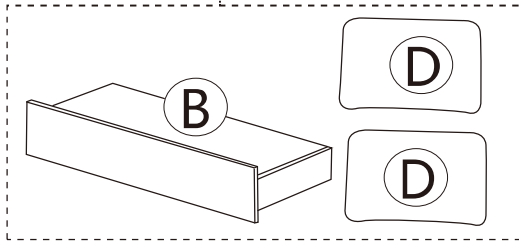
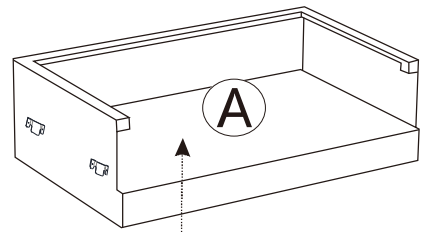
**3**

x1



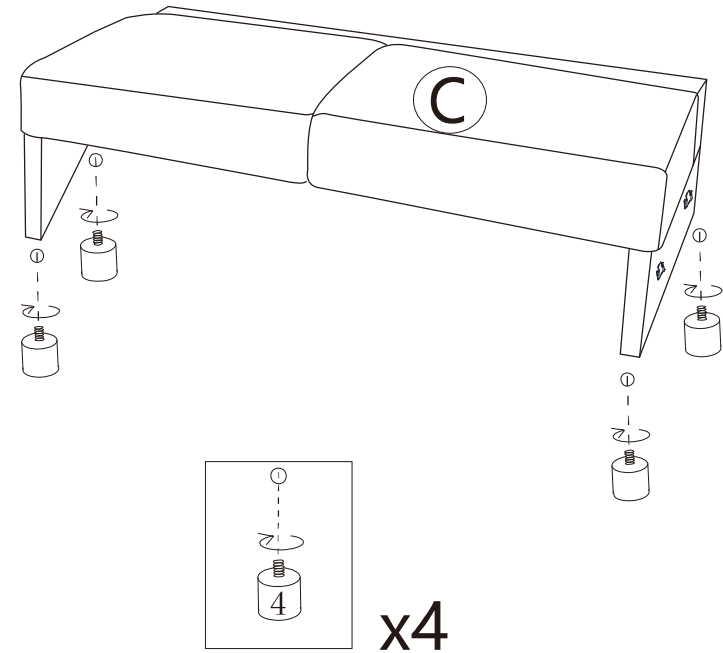
**4**

x4

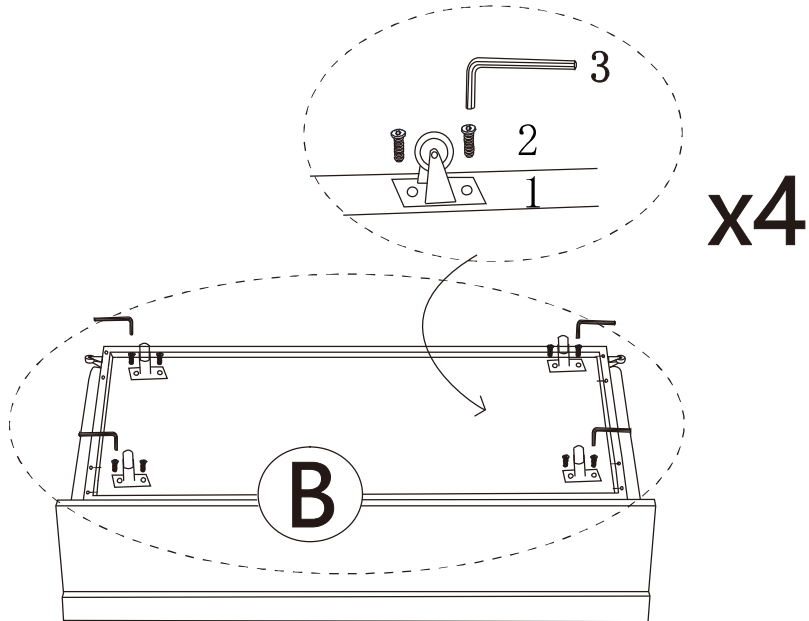


- |  |   |    |
|--|---|----|
|  | 1 | x4 |
|  | 2 | x8 |
|  | 3 | x1 |
|  | 4 | x4 |

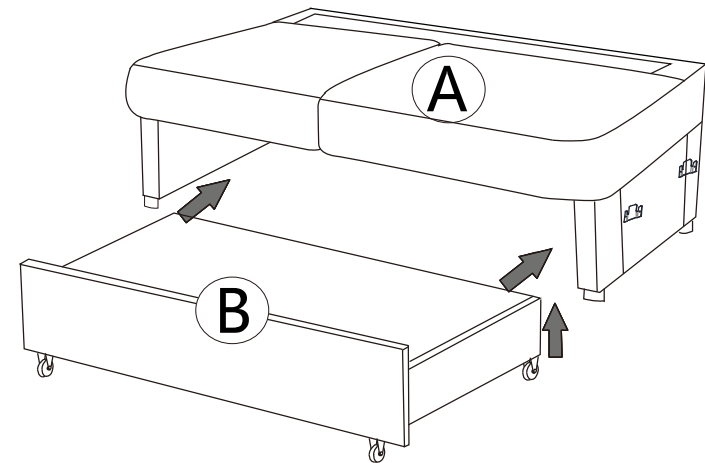
### Step1



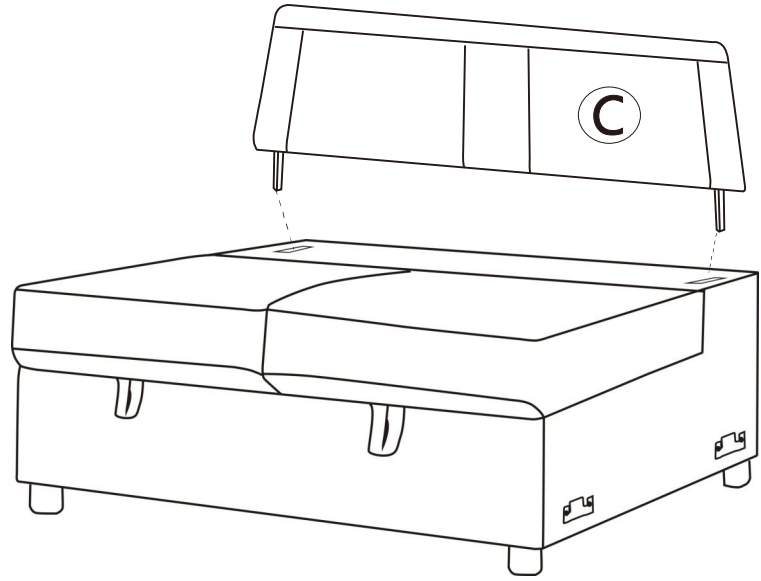
### Step2



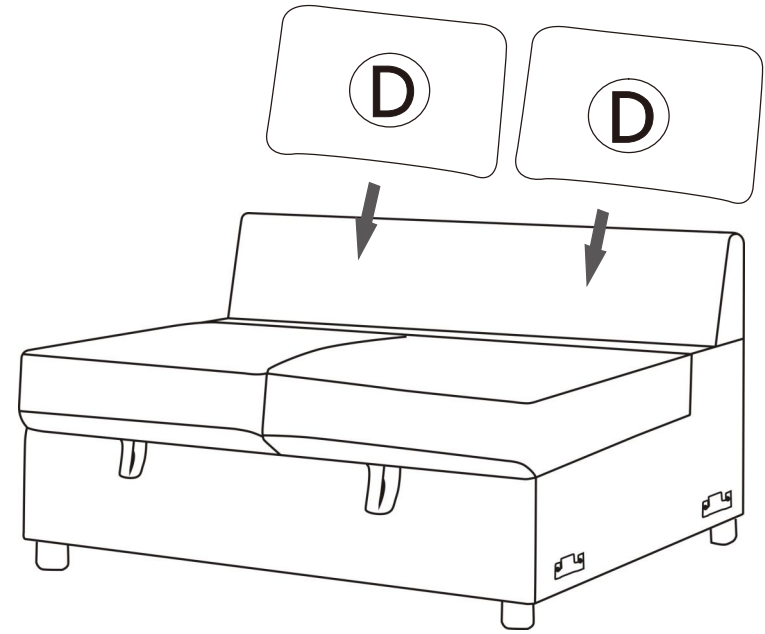
### Step3



### Step4



### Step5



### Step6

