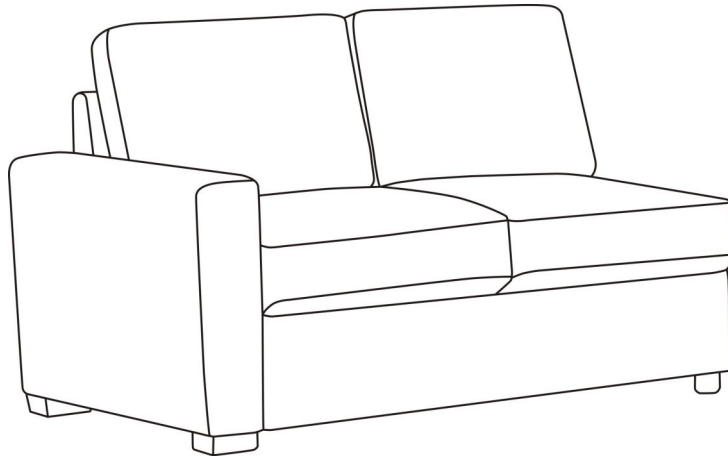
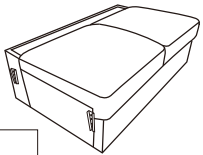


ASSEMBLY INSTRUCTION

ITEM NO.:DV2601/2602/2603/2604

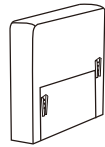


PARTS LIST



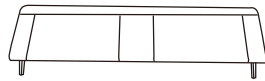
A

x1



B

x1



C

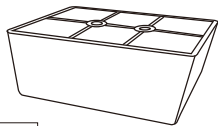
x1



D

x2

HARDWARE LIST



1

x2



2

x4



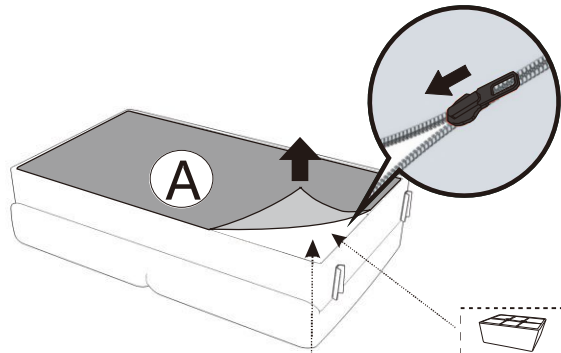
3

x1

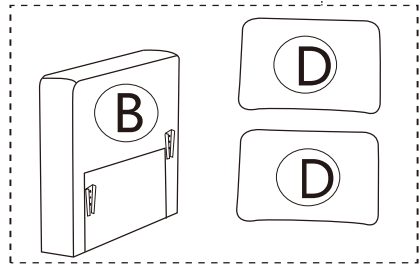


4

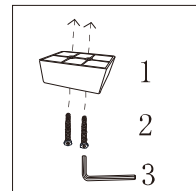
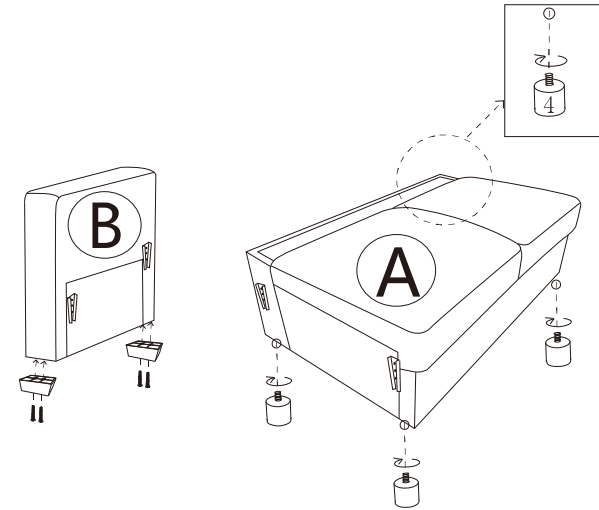
x4



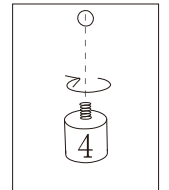
- | | | |
|--|---|----|
| | 1 | x2 |
| | 2 | x4 |
| | 3 | x1 |
| | 4 | x4 |



Step 1

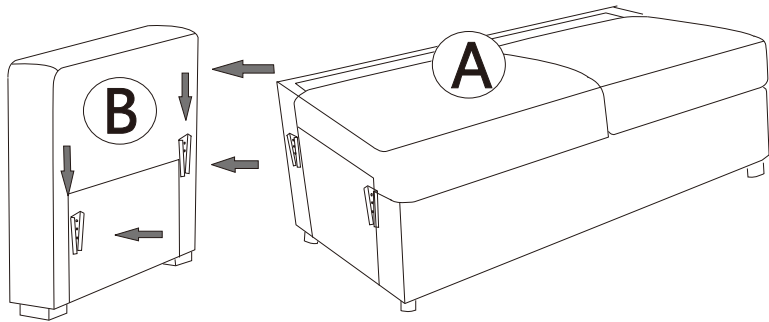


x2

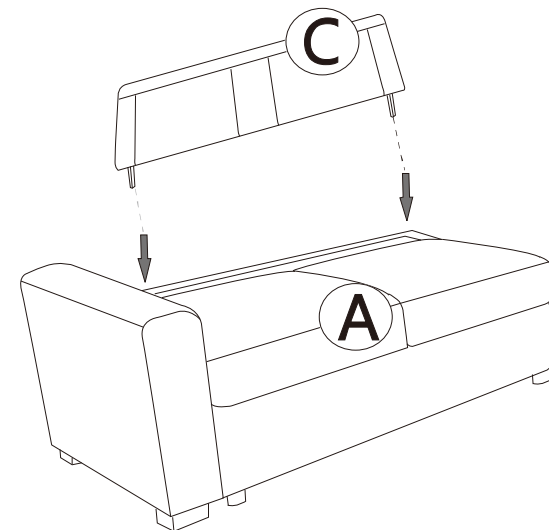


x4

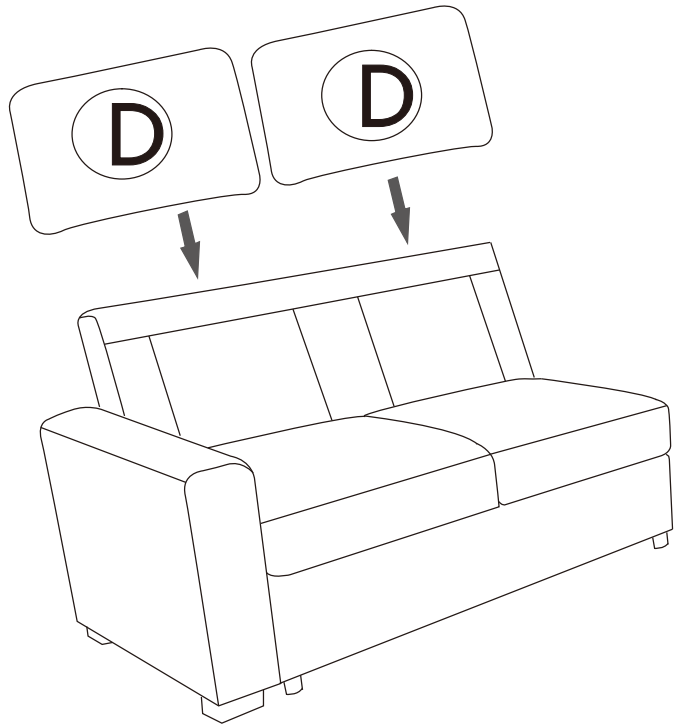
Step 2



Step 3



Step4



Step5

