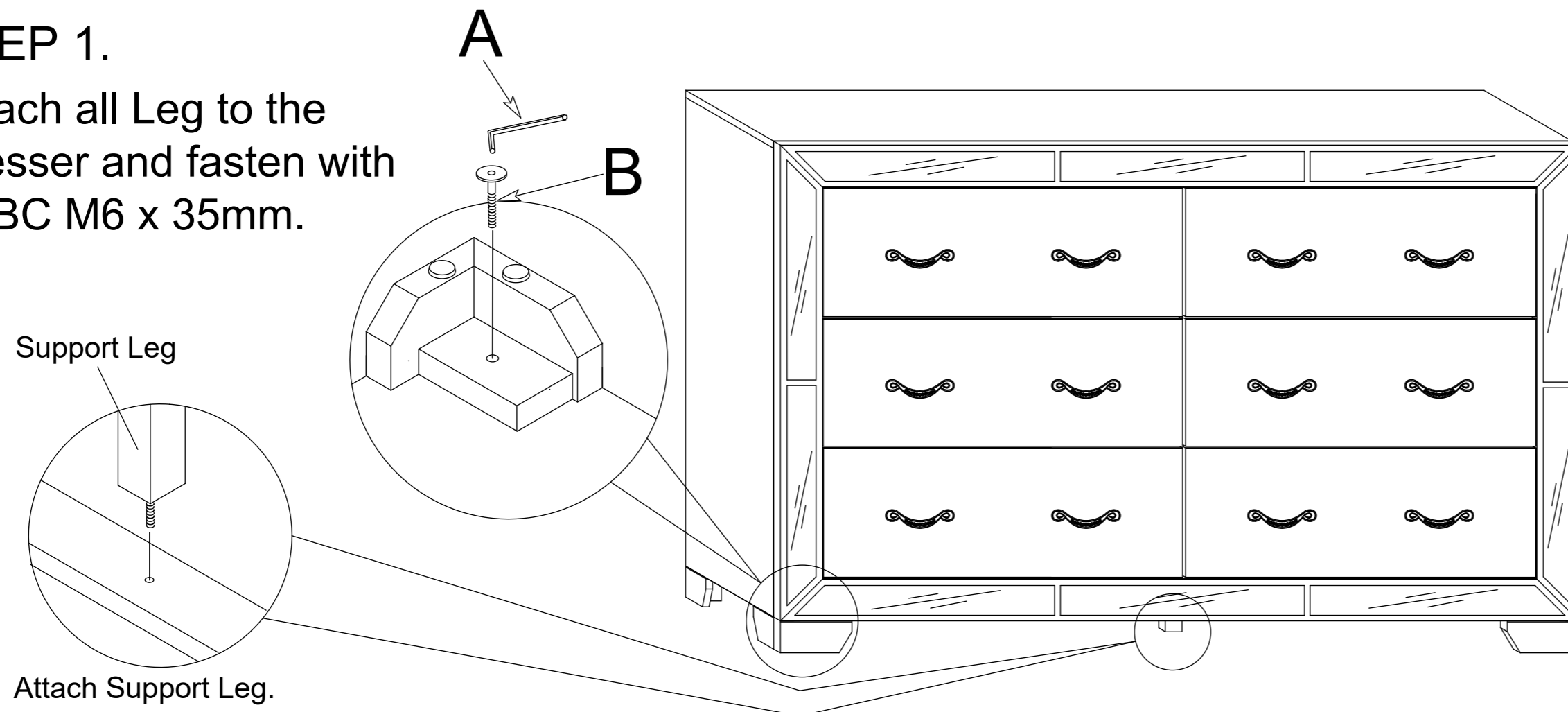


ASSEMBLY INSTRUCTION

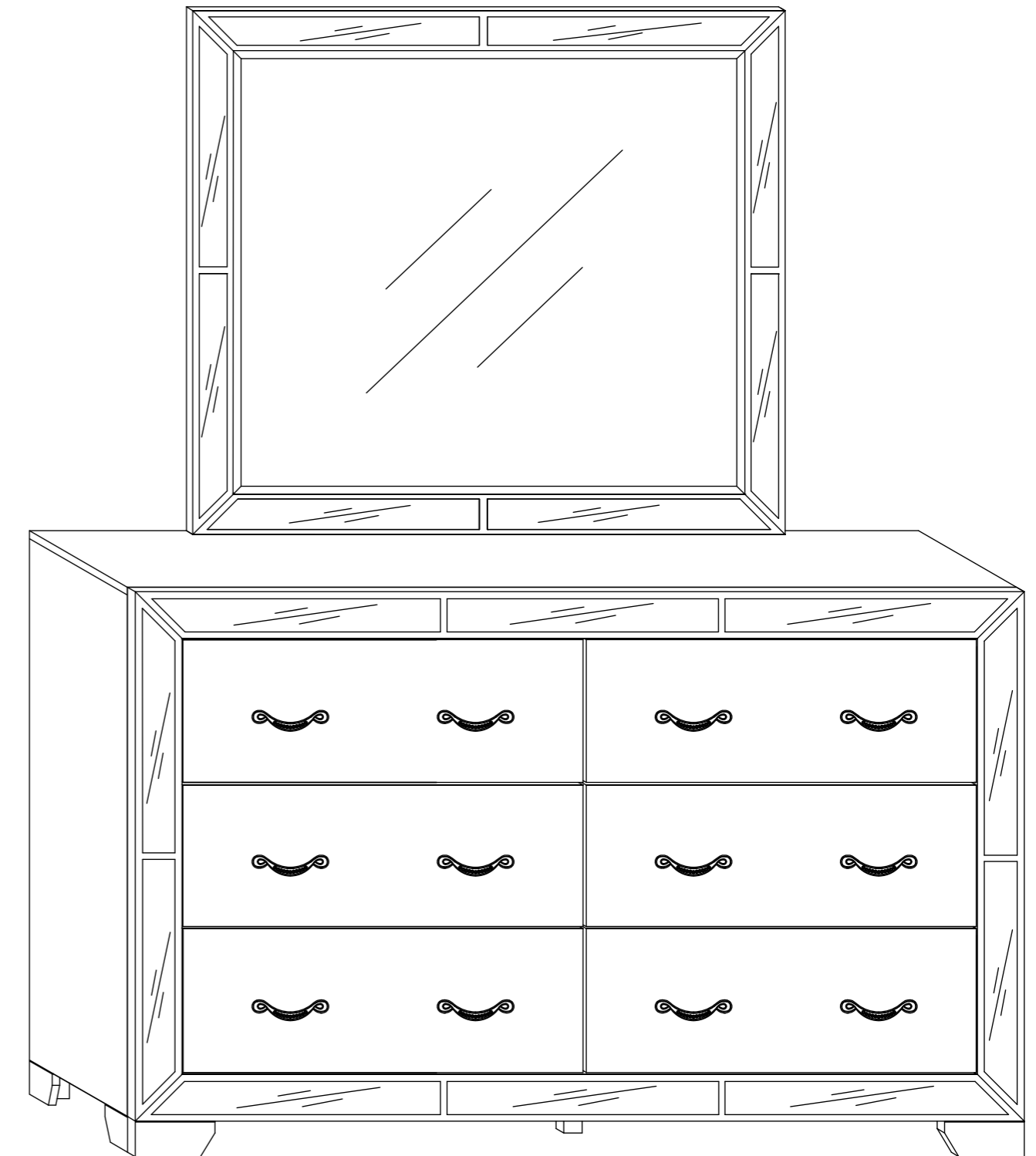
G004800 (DRESSER&MIRROR)

STEP 1.

Attach all Leg to the Dresser and fasten with JCBC M6 x 35mm.

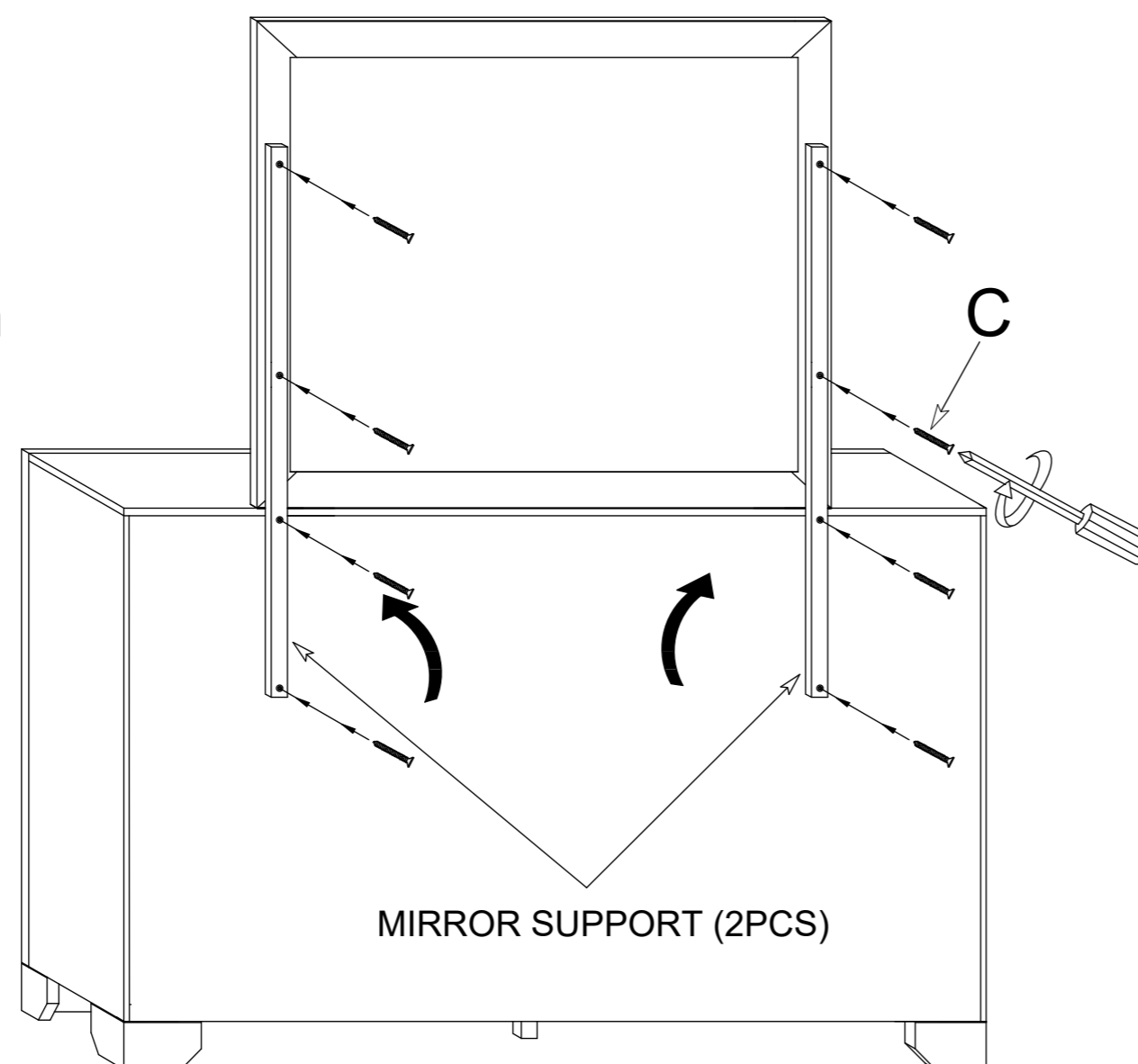



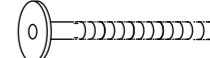

COMPLETE SET.



STEP 2.

Place the Mirror Frame on the top of Dresser, turn the Mirror Support Rail upward at the back of Dresser then Tighten with CSK Crew.



NO	HARDWARE DESCRIPTION	QTY
A.	Allen Key 	1PC
B.	JCBC Bolt M6 x 35mm 	4PCS
C.	Chipboard Screw M4 X 28mm 	8PCS
Screw Driver Not Provide !!!		