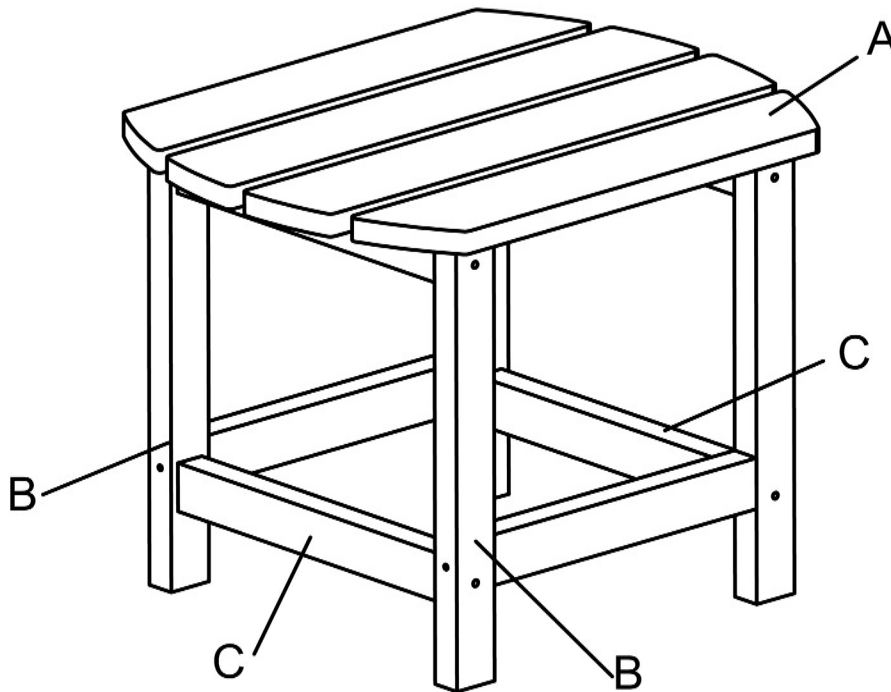




ASSEMBLY INSTRUCTIONS MODEL: LUX-1520

STRUCTURE DIAGRAM:

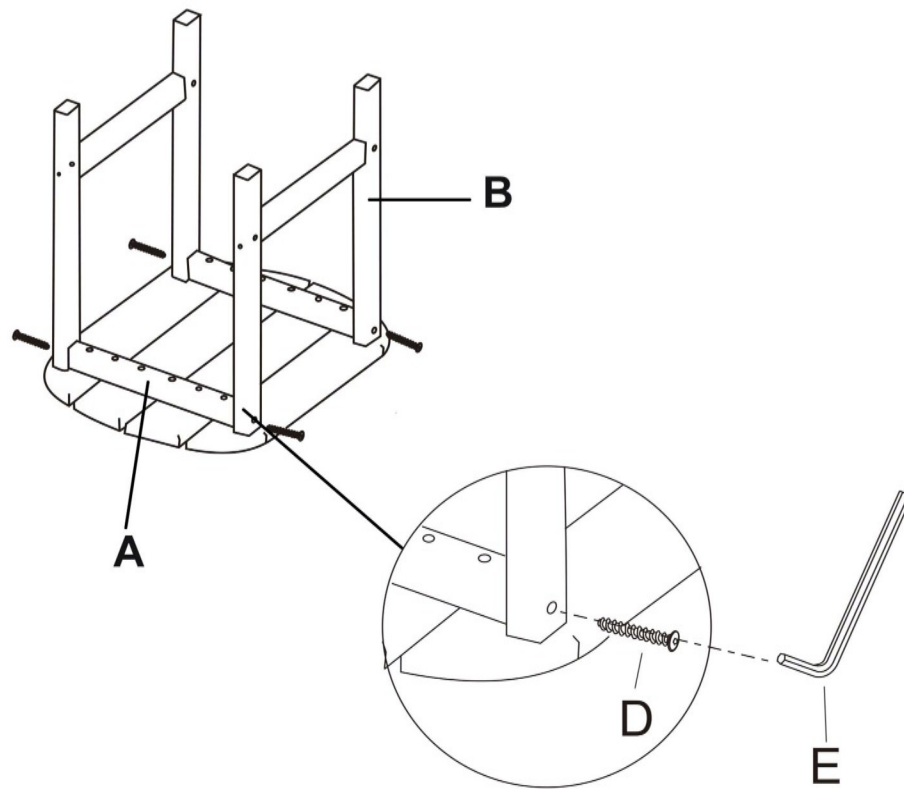


CHAIR PARTS INCLUDED:

(A) Table Top	1 unit
(B) Side Frames	2 units
(C) Braces	2 units
(D) Bolts 1.5"	8 units
(E) Allen Wrench	1 unit

Step 1:

Attach Side Frames (B) to Table Top (A) using Bolts 1.5" (D)



Step 2:

Attach Braces (C) to Side Frames (B) to using Bolts 1.5" (D)

