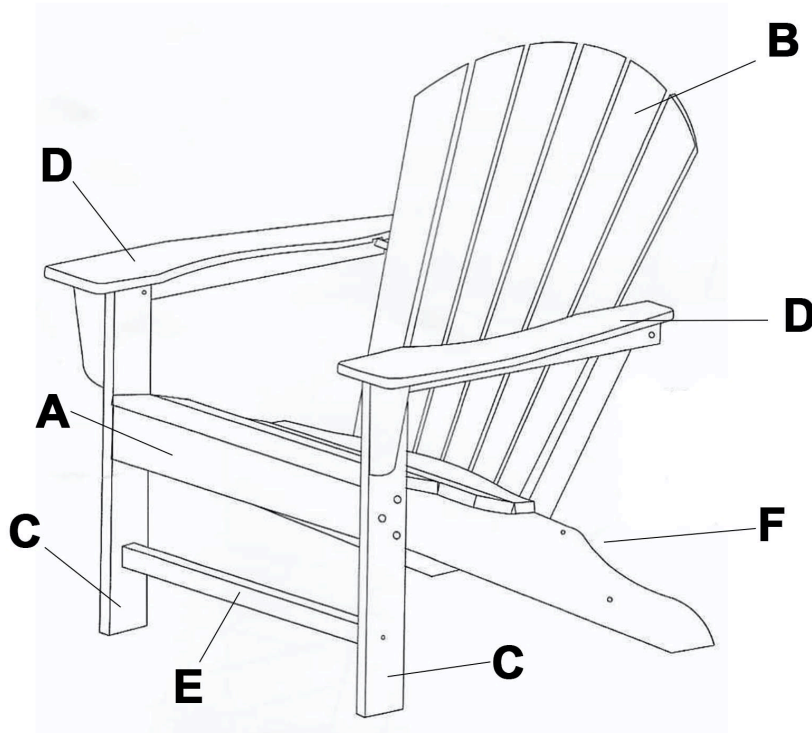




ASSEMBLY INSTRUCTIONS MODEL: LUX-1518

STRUCTURE DIAGRAM:



CHAIR PARTS INCLUDED:

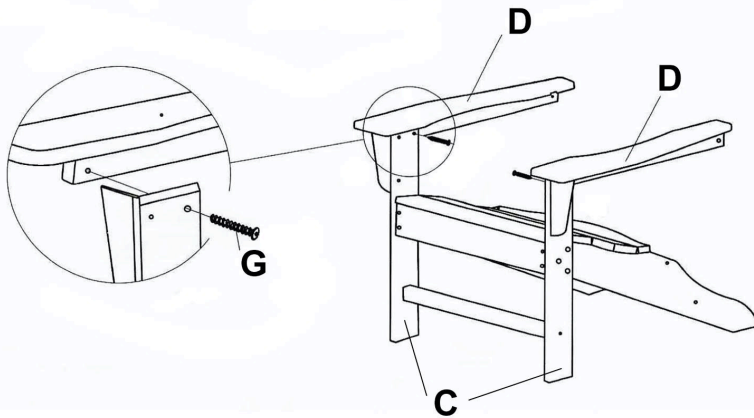
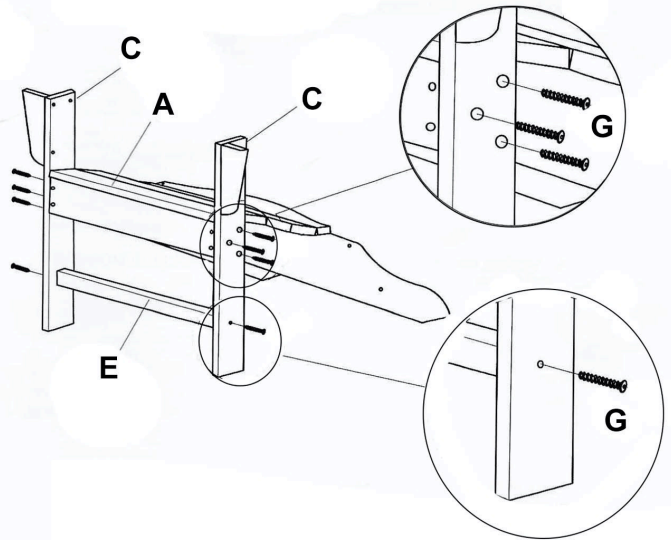
| | |
|--------------------------|----------|
| (A) Seat | 1 unit |
| (B) Backrest | 1 unit |
| (C) Front Leg | 2 units |
| (D) Arm Rest | 2 units |
| (E) Front Long Brace 22" | 1 unit |
| (F) Rear Brace 20" | 1 unit |
| (G) 2" Bolt | 14 units |
| (H) 3.15" Bolt | 2 units |
| (I) Allen Wrench | 1 unit |

For Assistance Call 1-855-68-LUXEO or 855-685-8936

Step 1:

Attach both Front Legs (C) to Seat (A) using Bolts (G)

Attach Front Long Brace (E) between 2 Front Legs (C) using Bolts (G)



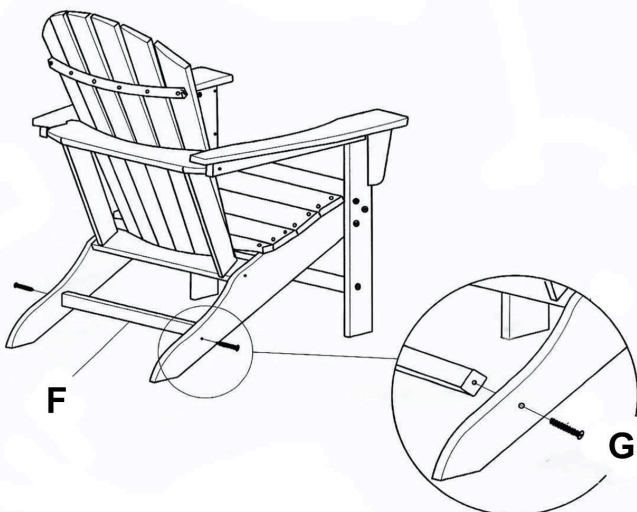
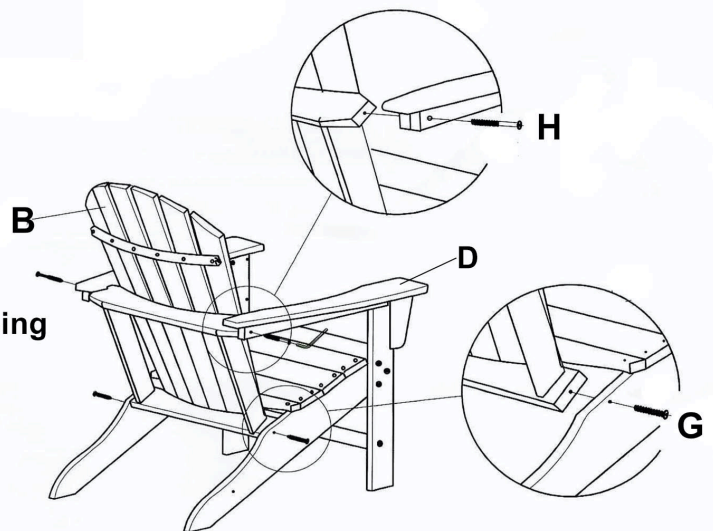
Step 2:

Attach both Arm Rests (D) to Front Legs (C) using Bolts (G)

Step 3:

Attach Backrest (B) to Seat (A) using Bolts (G).

Attach Backrest (B) to Rear Arm Rests (D) using Bolts (H)



Step 4:

Attach Rear Brace (F) to rear legs using Bolts (G)

WARNING: DO NOT SIT ON ARM REST.