

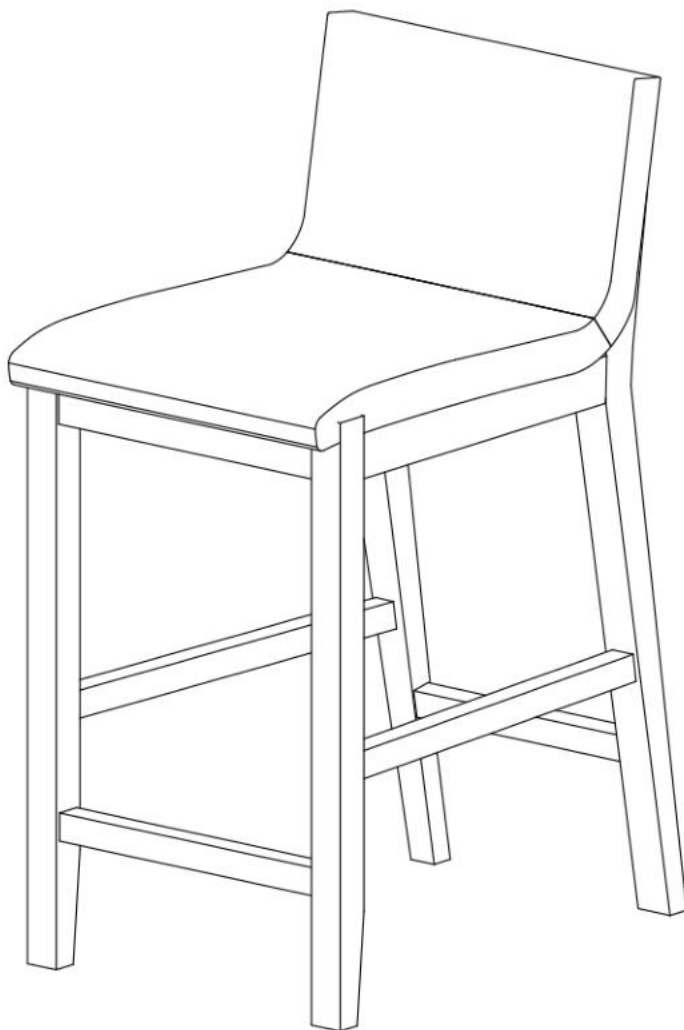


Best Master Furniture™
The Imported Furniture Specialist

MODEL : CH25 -BAR CHAIR
MODEL : CH 42 -BAR CHAIR

ASSEMBLY INSTRUCTIONS

Hours of Operation
MON-FRI 8:00AM - 4:00PM (PT)



TOOLS REQUIRED



Screwdriver
(Not included)



Allen key
(Included)



2 - People

Enjoying this product? We'd love your 5-star review!
If you have any issues, our support team is happy to help.



Best Master Furniture™
The Imported Furniture Specialist



Thank you for your purchase



Monday-Friday
8:00AM - 4:00PM PT



@Email
inquiries@bestmasterfurnitures.com



www.bestmasterfurnitures.com



CHECK BEFORE STARTING

Are you missing anything?

Please double check all hardware and parts match the assembly guide before putting the product together. If damaged, we suggest you put the item back in the box and start your claim or return

Should we send any replacements?

If there are any manufacturer defects or missing pieces please contact us for replacements. If purchased online, please contact the website of where you purchased it from, DIRECTLY

IMPORTANT INFO before assembly:

If there's a problem with the parts do not attempt to assemble the product

- Place all parts on a clean and smooth surface such as a rug/carpet to avoid parts from being scratched
- When tightening screws to product do not overtighten until product is fully setup
- If product is too heavy for a single person to carry do not attempt and ask for assistance
- DO NOT DRAG or PUSH item to desired location. Must be carried when moving
- If item is not working as intended please review the assembly guide to see if any steps were missed or incorrectly built. If there's a problem with part please contact seller for additional assistance
- Please keep all hardware and small parts away from pets/infants
- Please wear gloves or protective gear to protect from getting cuts
- It is normal for new furniture to have an off gassing smell. Please air out furniture near a window for a few hours or a day before placing it in its desired location
- All products may have a slight color and texture variation due to different shipments, natural materials, screen- resolutions, or lighting in home. Images are rendered by different devices or websites

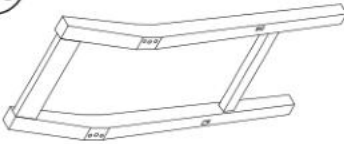
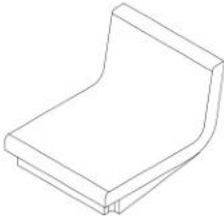

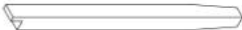





Best Master Furniture™
The Imported Furniture Specialist




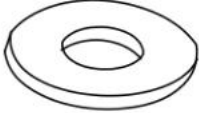

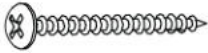



Model : CH25/C42 -BAR CHAIR

PARTS LIST

<p>(A)</p>  <p>Chair Back Assembly = 1pc</p>	<p>(B)</p>  <p>Seat Cushion Assembly =1pc</p>	<p>(C)</p>  <p>Left Front Leg = 1 pc</p>	
<p>(D)</p>  <p>Right Front Leg = 1 pc</p>	<p>(E)</p>  <p>Left Side Stretchers=1pc</p>	<p>(F)</p>  <p>Right Side Stretchers=1pc</p>	<p>(G)</p>  <p>Front Footrest=1pc</p>

HARDWARE LIST

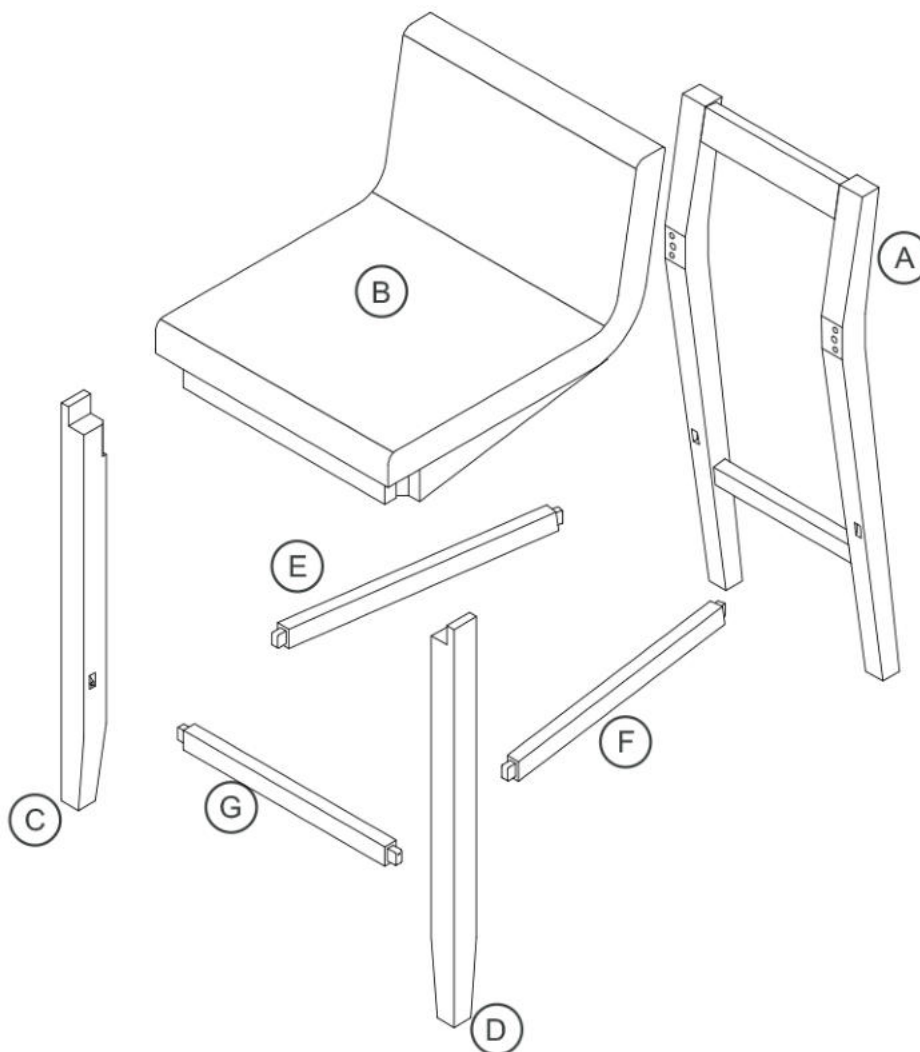
<p>(1)</p>  <p>1/4" x60mm Hex Button Head Bolt =10pcs</p>	<p>(2)</p>  <p>1/4" Lock Washer=10pcs</p>	<p>(3)</p>  <p>1/4"x 12 Flat Washer =2pcs</p>
<p>(4)</p>  <p>1/4"x 16 Flat Washer =8pcs</p>	<p>(5)</p>  <p>Allen Key K4 =1pc</p>	<p>(6)</p>  <p>M4*38MM Philips-Head Screw =6pcs</p>
<p>(7)</p>  <p>Wood Plugs =2pcs</p>		



Best Master Furniture™
The Imported Furniture Specialist



Model : CH25/C42 -BAR CHAIR










1. Do not tighten bolts / screws completely until all bolts / screws are lined up and inserted into holes.
2. Do not over tighten screws and bolts to avoid stripping.
3. Please use hand tools to assemble this product.




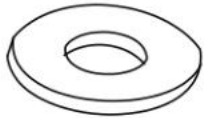



PARTS

check that you've received all parts listed below

PARTS LIST

<p>A</p>  <p>Chair Back Assembly = 1pc</p>	<p>B</p>  <p>Seat Cushion Assembly = 1pc</p>	<p>C</p>  <p>Left Front Leg = 1 pc</p>	
<p>D</p>  <p>Right Front Leg = 1 pc</p>	<p>E</p>  <p>Left Side Stretchers=1pc</p>	<p>F</p>  <p>Right Side Stretchers=1pc</p>	<p>G</p>  <p>Front Footrest=1pc</p>

HARDWARE LIST

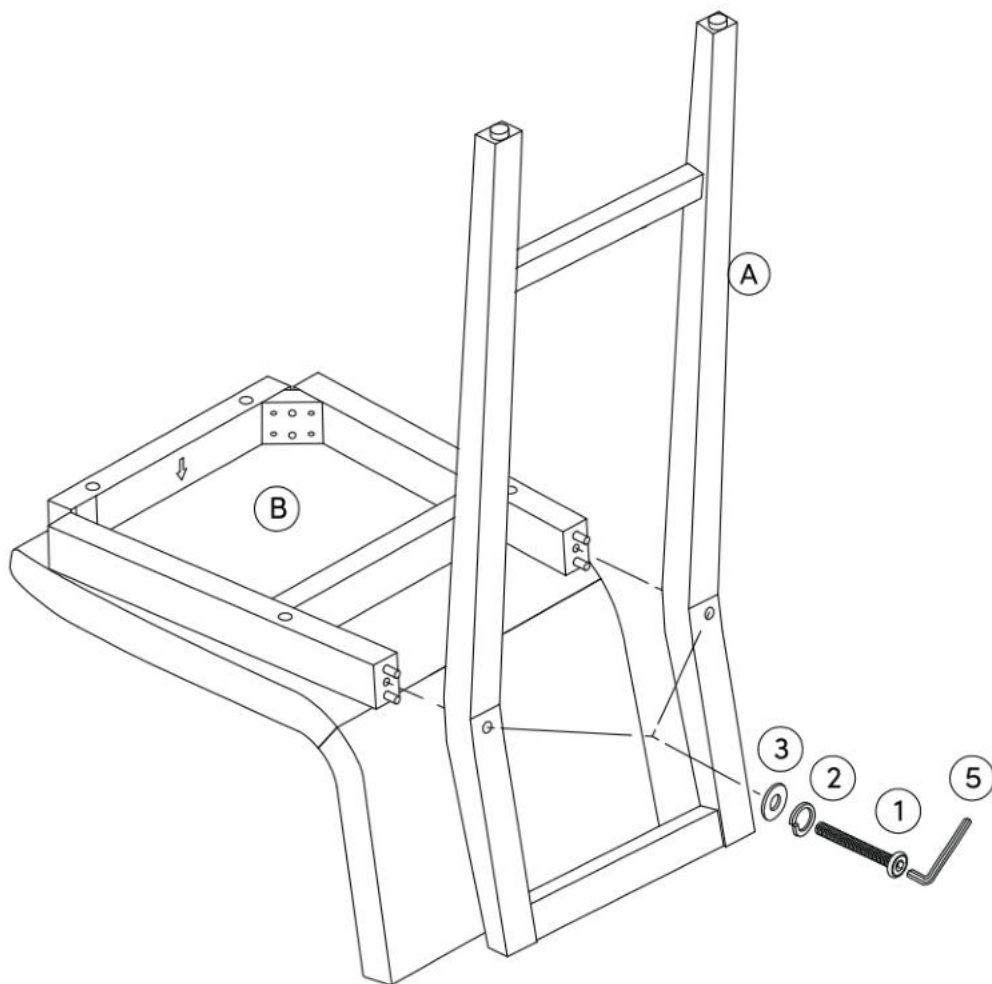
<p>1</p>  <p>1/4" x 60mm Hex Button Head Bolt =10pcs</p>	<p>2</p>  <p>1/4" Lock Washer=10pcs</p>	<p>3</p>  <p>1/4"x 12 Flat Washer =2pcs</p>
<p>4</p>  <p>1/4"x 16 Flat Washer =8pcs</p>	<p>5</p>  <p>Allen Key K4 =1pc</p>	<p>6</p>  <p>M4*38MM Philips-Head Screw =6pcs</p>
<p>7</p>  <p>Wood Plugs =2pcs</p>		

Step 1

Attach the Chair Back (A) to the Frame Seat (B) using the ¼ x 60mm Hex Button Head Bolts (1). First place the ¼ inch Flat Washer (3), then the ¼ inch Lock Washer (2), then the ¼ x 60mm Hex Button Head Bolt (1). Tighten using the Allen Key (5).



Do NOT overtighten hardware.
Tighten only to 75% for now.



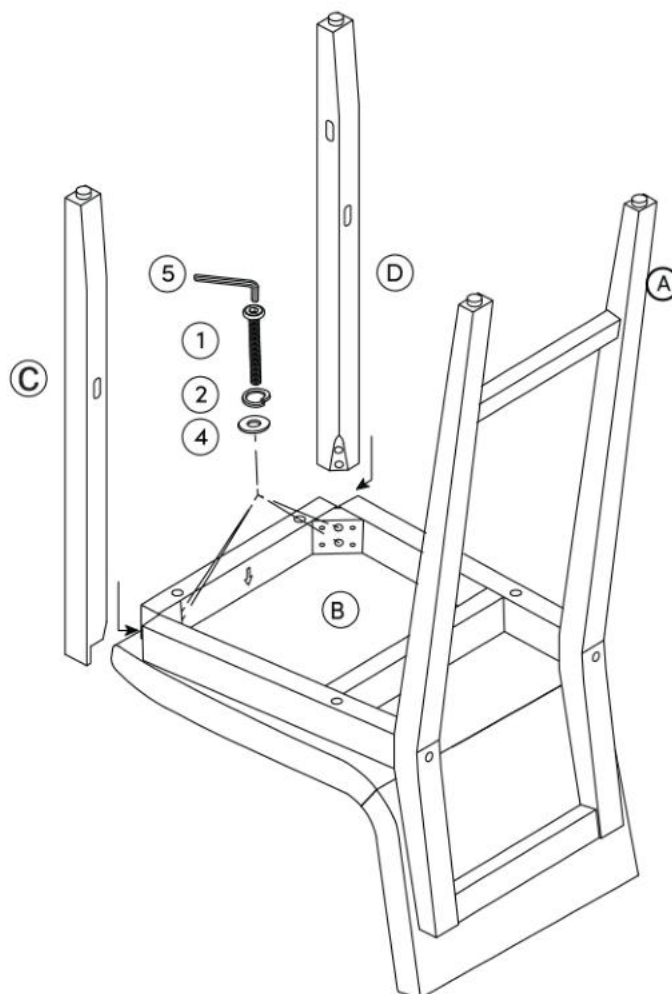
Step 2

Now let's secure those Legs (D)(E) in place!

Consider this your workout of the day.



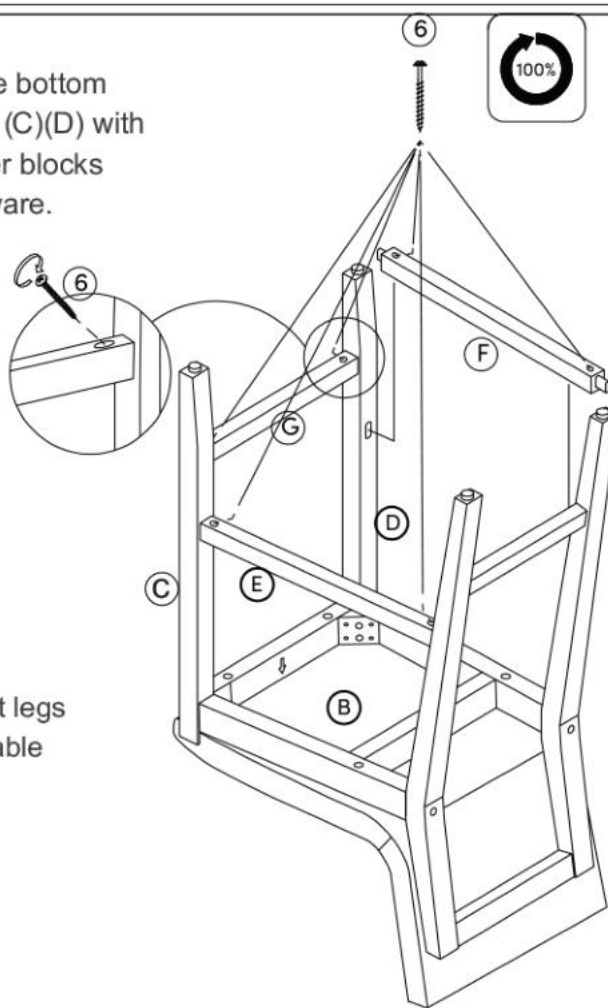
Do NOT overtighten hardware.
Tighten only to 75% for now.



Important Note: Front legs are NOT interchangeable (see following page).

Step 3

Match the sticker on the bottom of the Front Chair Legs (C)(D) with the sticker on the corner blocks before tightening hardware.



If you are having trouble getting the screws to catch, we recommend carefully using an electric screwdriver or drill with necessary bit for this step.

Do not over-tighten, holes may become stripped.

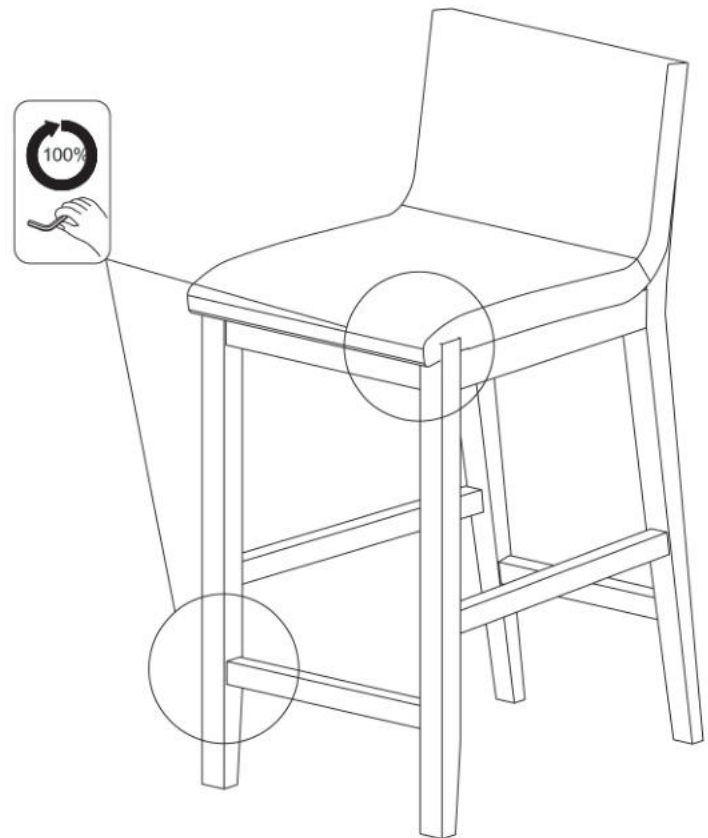
Important Note: Front legs are NOT interchangeable (see following page).

Step 4

Now flip the stool over on a flat surface and make sure all legs are touching before tightening everything to 100%.

If your stool feels a little wobbly or unstable, re-address all fasteners to ensure they are 100% tightened.

If your stool STILL feels a little wobbly or unstable, try loosening some of the fastener connections slightly in order to allow yourself to re-level all the legs on a flat surface before going back around & re-tightening everything back to 100%.

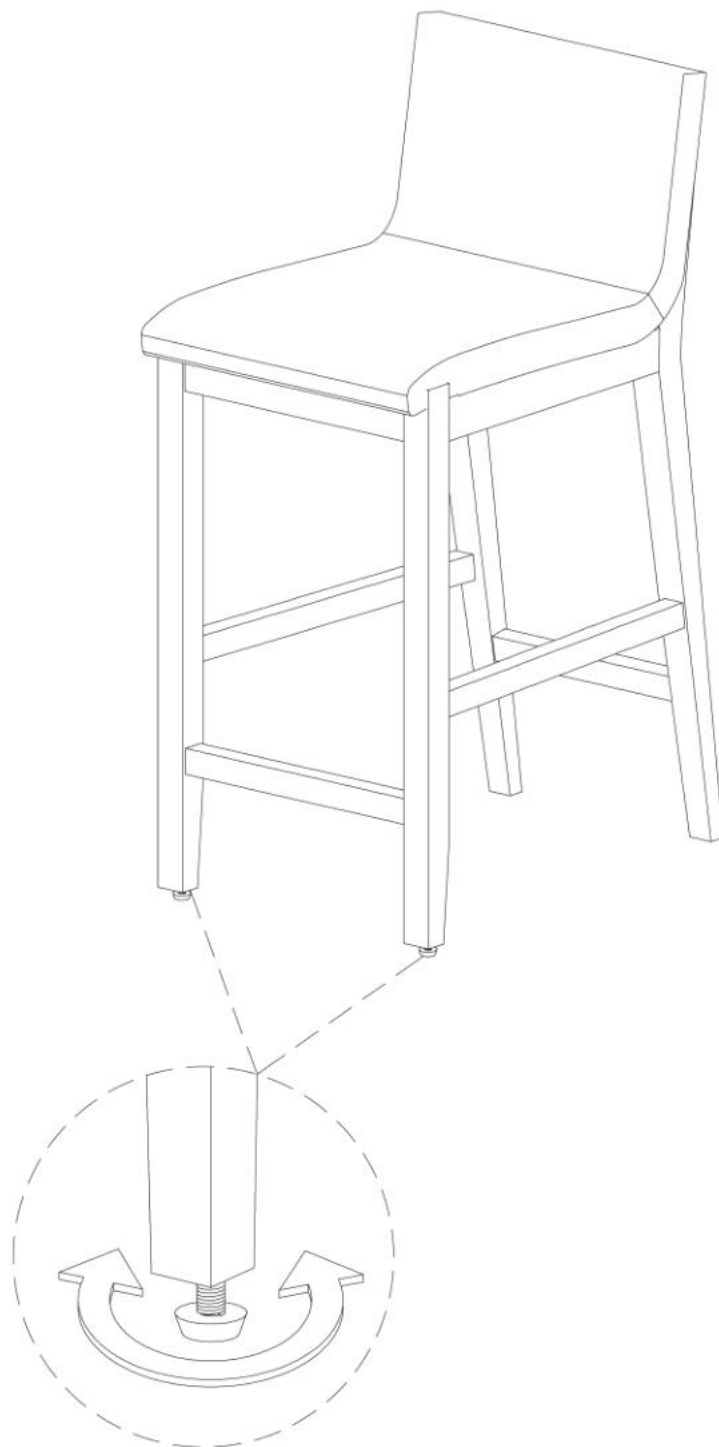


We want your bar stool to last as long as possible, so we recommend that you tighten the screws 2 weeks after assembly and for added safety check the tightness of all screws every 2 months.

Step 5

Now, for some final fine tuning, if your counter stool needs it.

If it's still looking a little unlevel, adjust the levelers on the feet until it's nice and level.

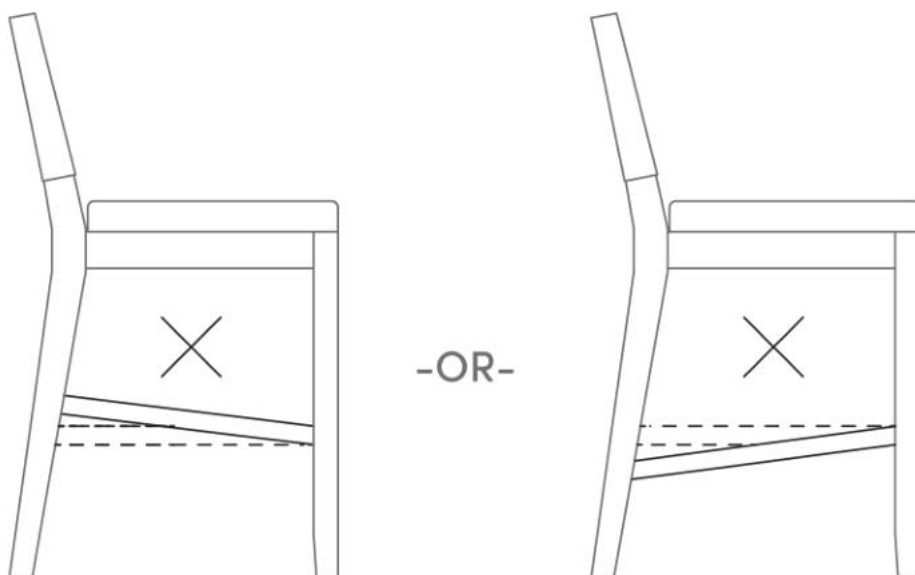


HELPFUL TIP:

Adjust the levelers to help further level the counter stool, if need be.

Issues with stretchers aligning at an angle?

If the stretchers are set at an angle when you are aligning them with their respective holes on the front & back legs, **you have likely assembled the front legs incorrectly.**



Re-check to confirm that the proper legs are installed in their intended position on the proper side of the stool.

The front legs are not interchangeable; therefore they may need to be rotated and swapped to the opposite side.

