



**Best Master Furniture™**  
The Imported Furniture Specialist

**MODEL : DP 305- MIRROR**

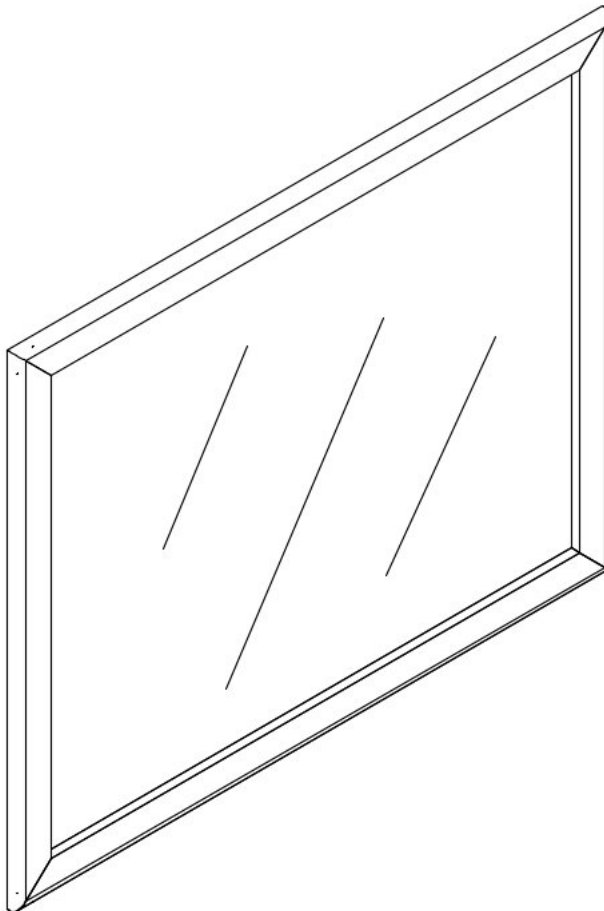
# ASSEMBLY INSTRUCTIONS

Hours of Operation  
MON-FRI 8:00AM - 4:00PM (PT)

## TOOLS REQUIRED



**Screwdriver**  
(Not included)

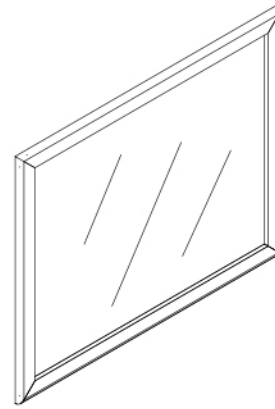


**2 - People**

Enjoying this product? We'd love your 5-star review!  
If you have any issues, our support team is happy to help.



**Best Master Furniture™**  
The Imported Furniture Specialist



Thank you for your purchase



Monday-Friday  
8:00AM - 4:00PM PT



@Email  
inquiries@bestmasterfurnitures.com



www.bestmasterfurnitures.com



### CHECK BEFORE STARTING

Are you missing anything?

Please double check all hardware and parts match the assembly guide before putting the product together. If damaged, we suggest you put the item back in the box and start your claim or return

Should we send any replacements?

If there are any manufacturer defects or missing pieces please contact us for replacements. If purchased online, please contact the website of where you purchased it from, DIRECTLY

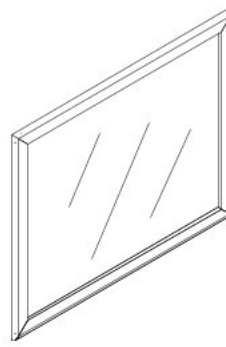
## IMPORTANT INFO before assembly:

If there's a problem with the parts do not attempt to assemble the product

- Place all parts on a clean and smooth surface such as a rug/carpet to avoid parts from being scratched
- When tightening screws to product do not overtighten until product is fully setup
- If product is too heavy for a single person to carry do not attempt and ask for assistance
- DO NOT DRAG or PUSH item to desired location. Must be carried when moving
- If item is not working as intended please review the assembly guide to see if any steps were missed or incorrectly built. If there's a problem with part please contact seller for additional assistance
- Please keep all hardware and small parts away from pets/infants
- Please wear gloves or protective gear to protect from getting cuts
- It is normal for new furniture to have an off gassing smell. Please air out furniture near a window for a few hours or a day before placing it in its desired location
- All products may have a slight color and texture variation due to different shipments, natural materials, screen- resolutions, or lighting in home. Images are rendered by different devices or websites



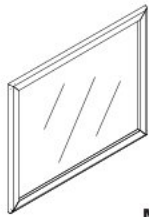
**Best Master Furniture™**  
The Imported Furniture Specialist



**Model : DP 305-MIRROR**

## PARTS

**A**



Mirror =1pc

## HARDWARE

**1**



PLASTIC ANCHOR Plastic Anchor =2pcs  
EXTRA=3PCS

**2**

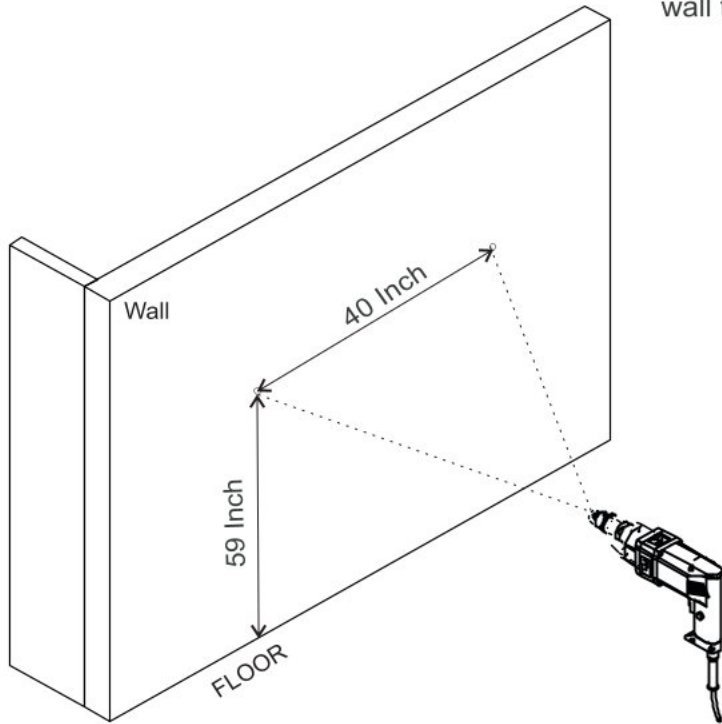


Flat Screw M4 x 40 =2pcs  
EXTRA=3PCS

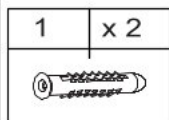
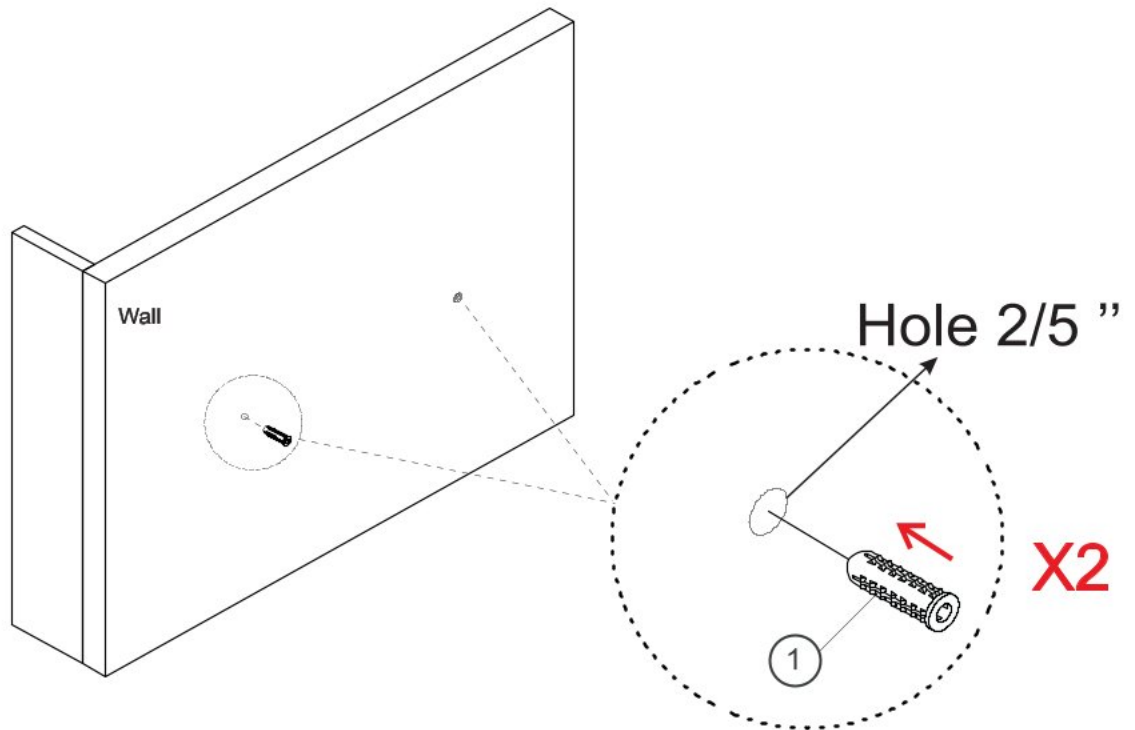
# Step 1

Choose your desired Makeup Vanity location on your wall. Using the wall anchor spacing dimensions graphic below, begin to line up and mark where you will need to drill holes for the Wall Anchors ( 1 )

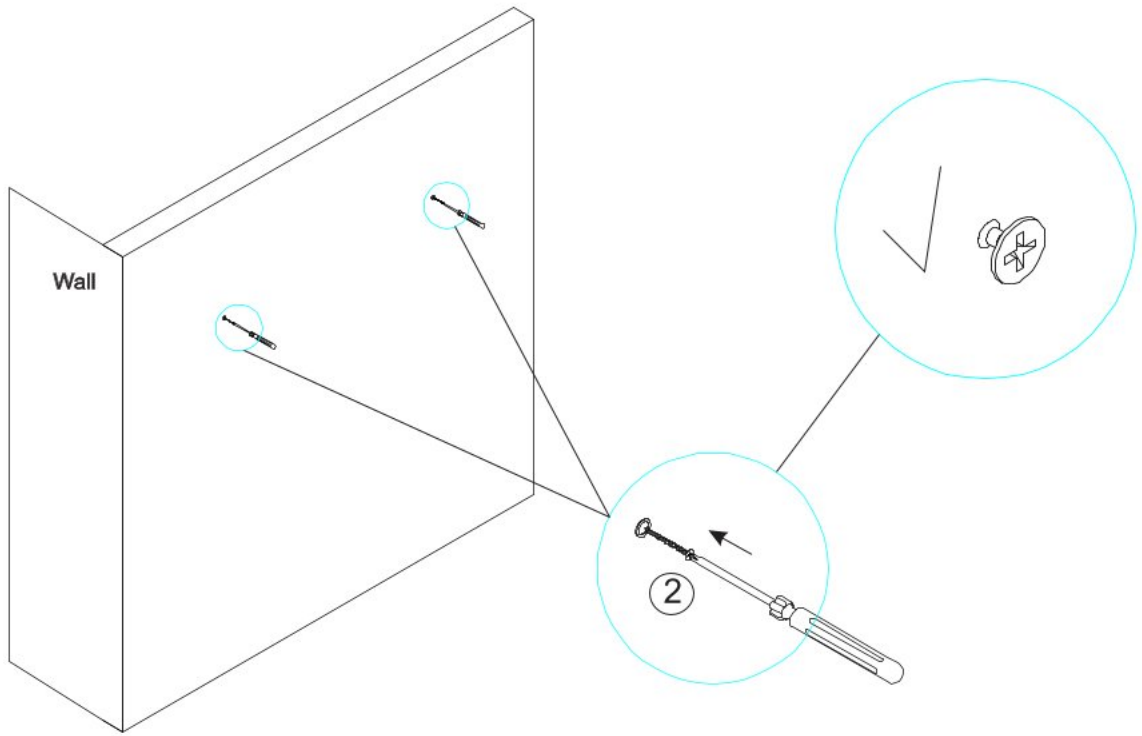
**Using a 2/5" drill bit**, drill holes on the marks you made on your wall, then push the Wall Anchors ( 1 ) for the proper wall type, into the holes.

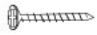


# Step 2

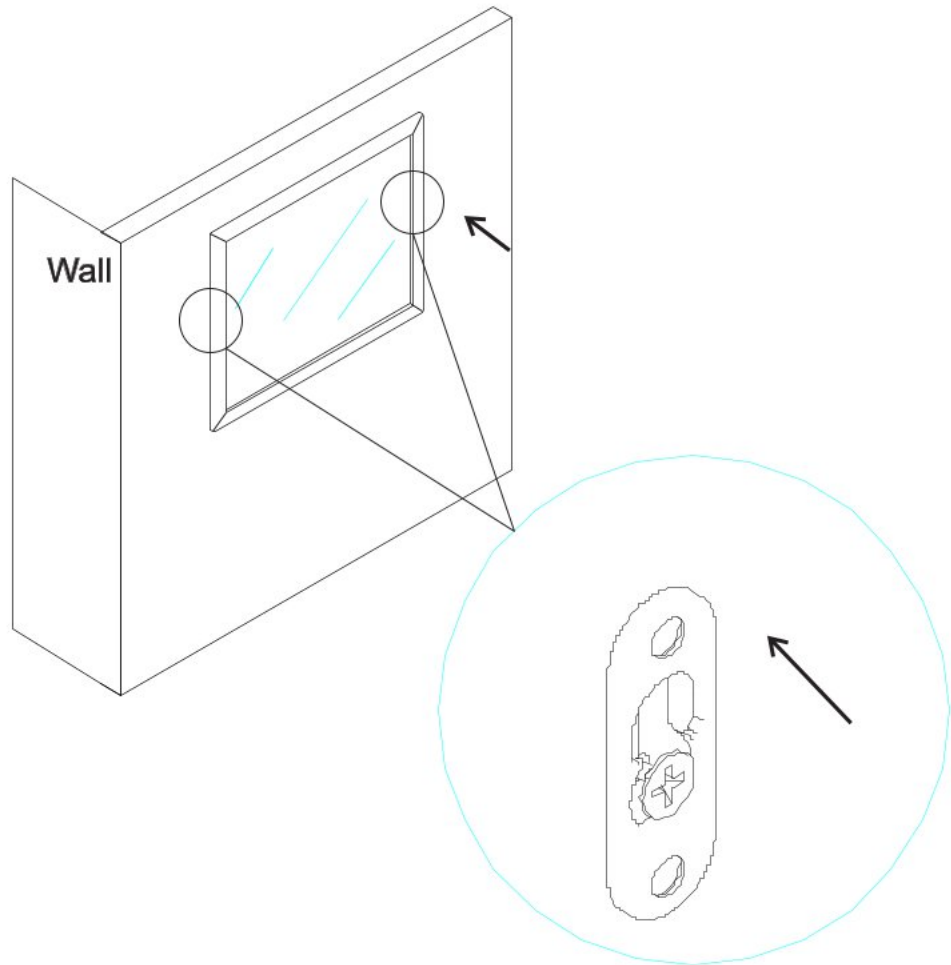


# Step 3

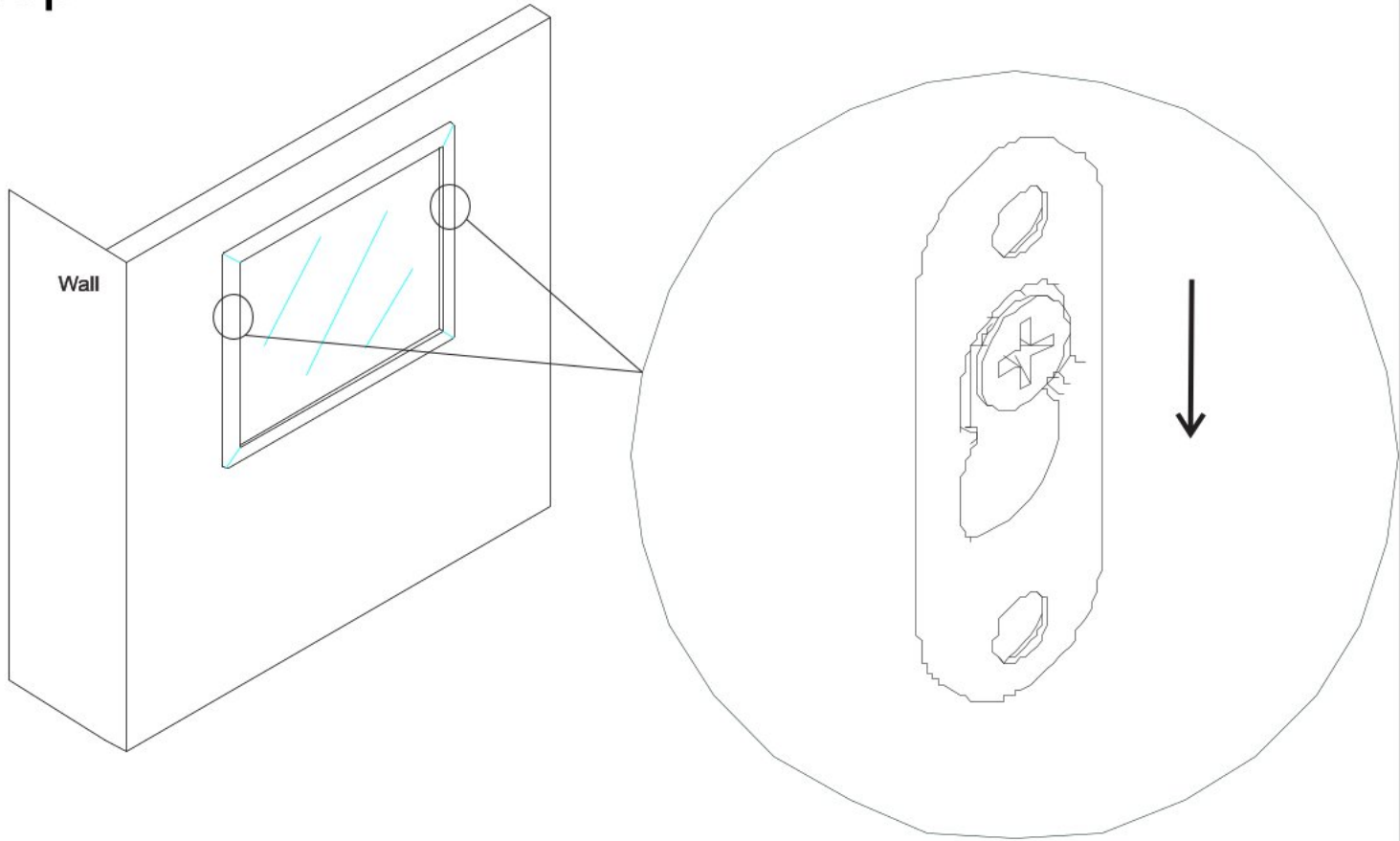


2	x 2
	

# Step 4



# Step 5



Done !

