



Best Master Furniture™
The Imported Furniture Specialist

MODEL : DP 305- QUEEN BED

ASSEMBLY INSTRUCTIONS

Hours of Operation
MON-FRI 8:00AM - 4:00PM (PT)

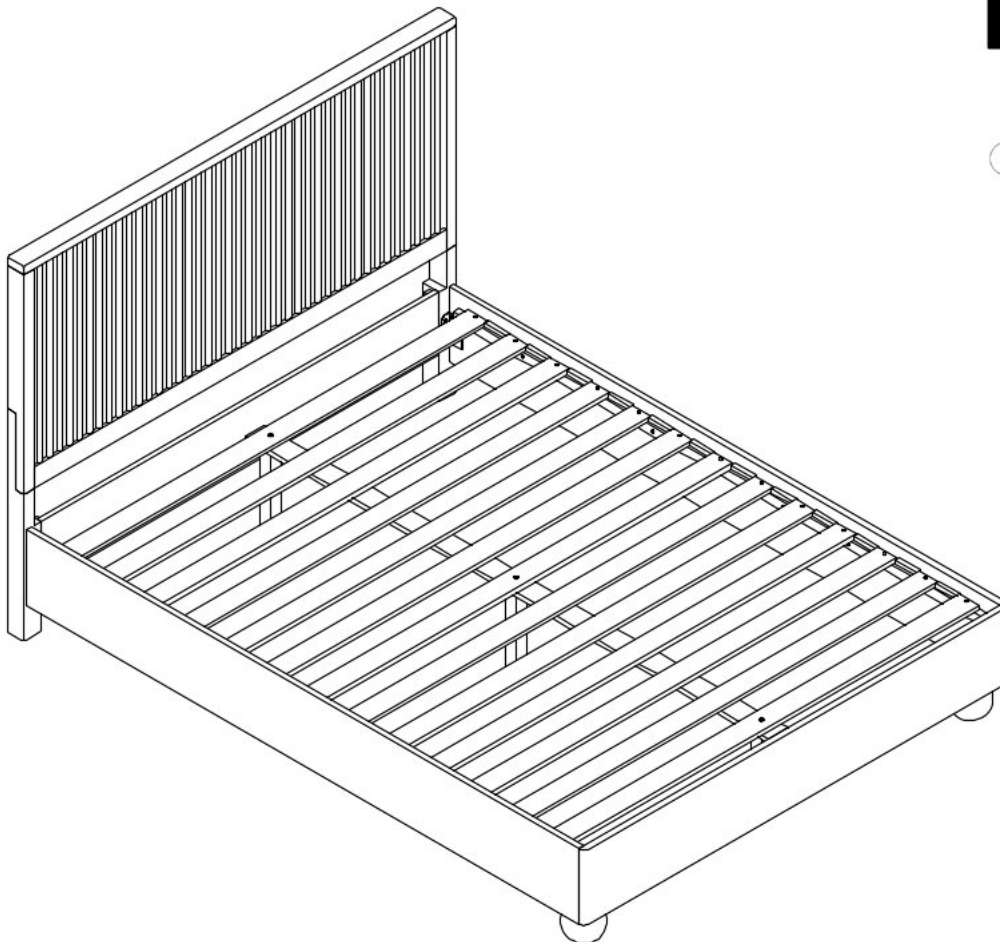
TOOLS REQUIRED



Screwdriver
(Not included)



Allen key
(Included)



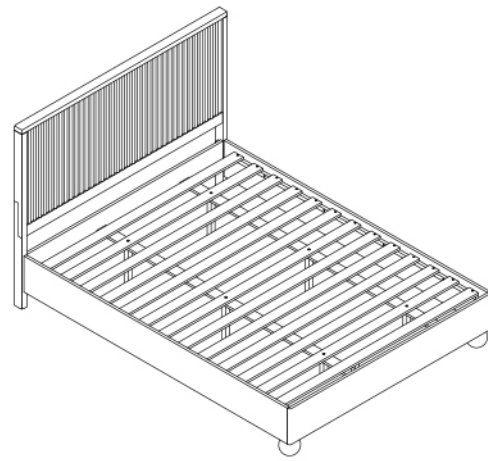
2 - People

Enjoying this product? We'd love your 5-star review!
If you have any issues, our support team is happy to help.



Best Master Furniture™
The Imported Furniture Specialist

Thank you for your purchase



Monday-Friday
8:00AM - 4:00PM PT



@Email
inquiries@bestmasterfurnitures.com



www.bestmasterfurnitures.com



CHECK BEFORE STARTING

Are you missing anything?

Please double check all hardware and parts match the assembly guide before putting the product together. If damaged, we suggest you put the item back in the box and start your claim or return

Should we send any replacements?

If there are any manufacturer defects or missing pieces please contact us for replacements. If purchased online, please contact the website of where you purchased it from, DIRECTLY

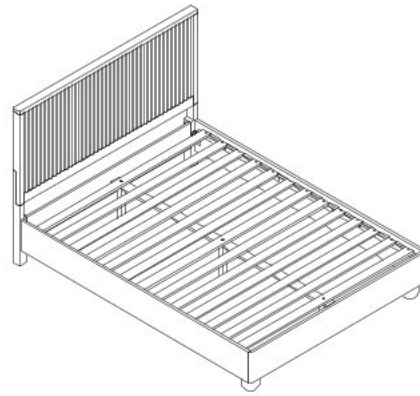
IMPORTANT INFO before assembly:

If there's a problem with the parts do not attempt to assemble the product

- Place all parts on a clean and smooth surface such as a rug/carpet to avoid parts from being scratched
- When tightening screws to product do not overtighten until product is fully setup
- If product is too heavy for a single person to carry do not attempt and ask for assistance
- DO NOT DRAG or PUSH item to desired location. Must be carried when moving
- If item is not working as intended please review the assembly guide to see if any steps were missed or incorrectly built. If there's a problem with part please contact seller for additional assistance
- Please keep all hardware and small parts away from pets/infants
- Please wear gloves or protective gear to protect from getting cuts
- It is normal for new furniture to have an off gassing smell. Please air out furniture near a window for a few hours or a day before placing it in its desired location
- All products may have a slight color and texture variation due to different shipments, natural materials, screen- resolutions, or lighting in home. Images are rendered by different devices or websites

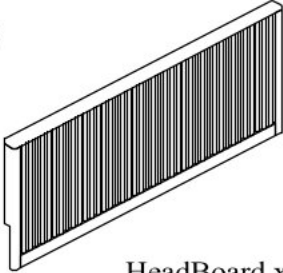


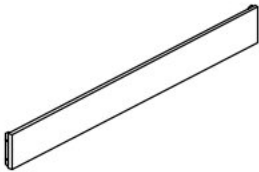
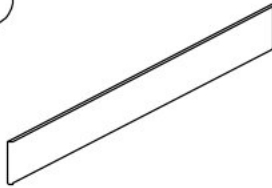
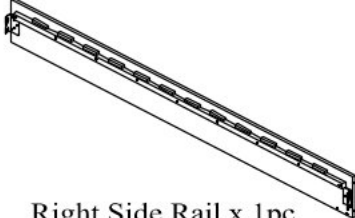
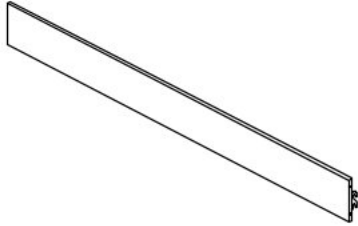
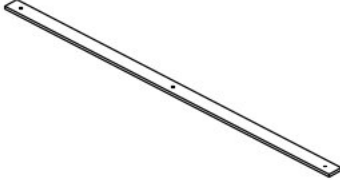

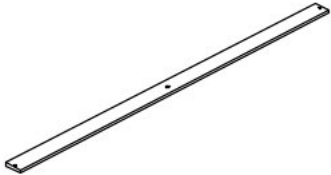
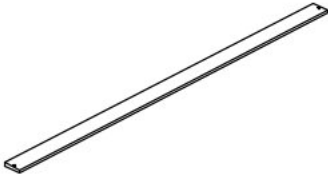




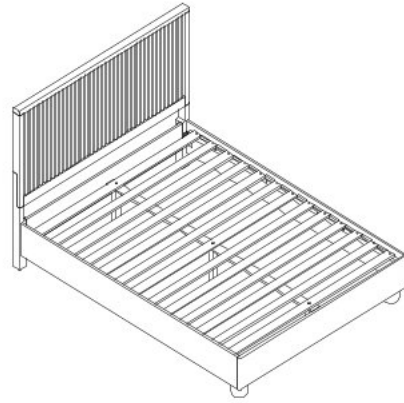
Best Master Furniture™
The Imported Furniture Specialist



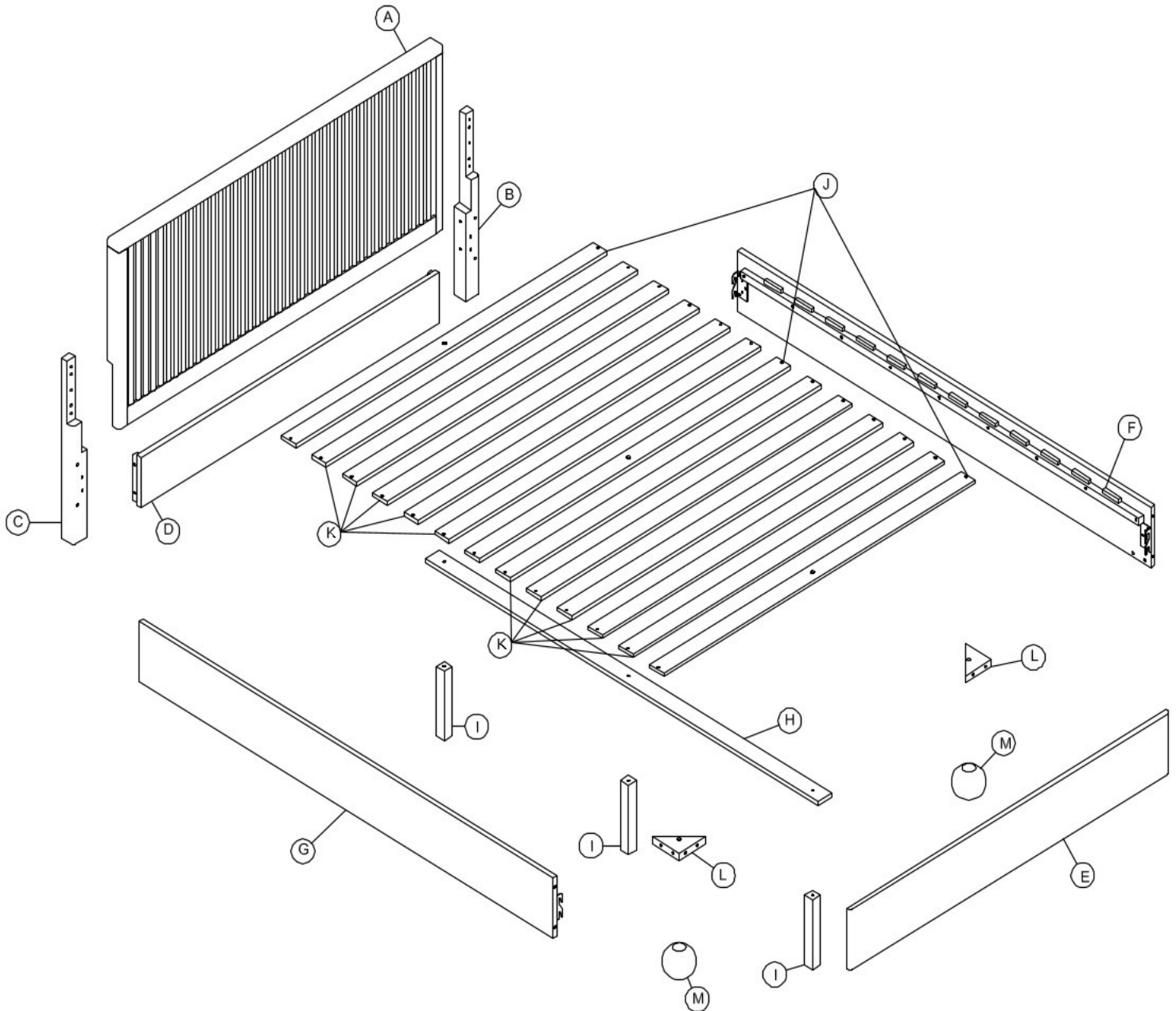
Model : DP 305-QUEEN BED

PARTS

<p>(A)</p>  <p>HeadBoard x 1 pc</p>	<p>(B)</p>  <p>Right Leg x 1pc</p>	<p>(C)</p>  <p>Left Leg x 1pc</p>
<p>(D)</p>  <p>Upper Panel of HeadBoard x 1pc</p>	<p>(E)</p>  <p>FootBoard x 1pc</p>	<p>(F)</p>  <p>Right Side Rail x 1pc</p>
<p>(G)</p>  <p>Left Side Rail x 1pc</p>	<p>(H)</p>  <p>Support Bar x 1pc</p>	<p>(I)</p>  <p>Middle Legs x 3pcs</p>
<p>(J)</p>  <p>Support Slats x 3pcs</p>	<p>(K)</p>  <p>Slats x 10pcs</p>	<p>(L)</p>  <p>Support Legs x 2pcs</p>
<p>(M)</p>  <p>Round Legs x 2pcs</p>		

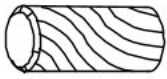


Model : DP 305-QUEEN BED



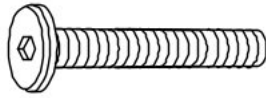
HARDWARE

①



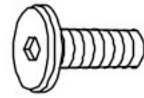
Wooden Dowel 10 x 30mm = 16 pcs

②



Long Bolt $\frac{1}{4}$ x 38mm = 17 pcs

③



Short Bolt $\frac{1}{4}$ " x 15 = 8 pcs

④



Allen Key K4=1 pc

⑤



Spring Washer = 10 pcs

⑥



Flat Washer = 10 pcs

⑦



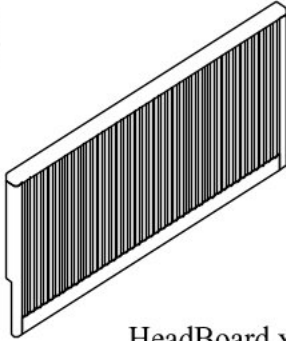
Flat Screw M4 x 25 = 26 pcs

PARTS

check that you've received all parts listed below

BOX : 1

A



HeadBoard x 1 pc

B



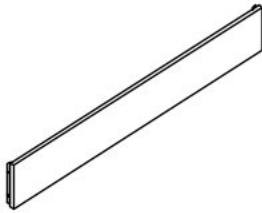
Right Leg x 1 pc

C



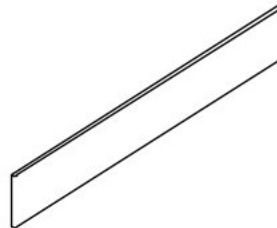
Left Leg x 1 pc

D



Upper Panel of HeadBoard x 1PC

E



FootBoard x 1 pc

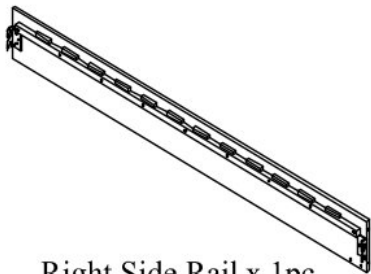
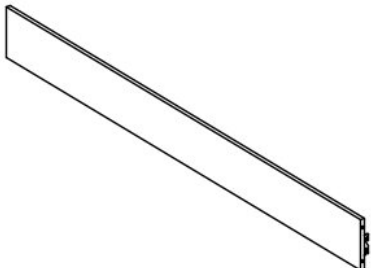
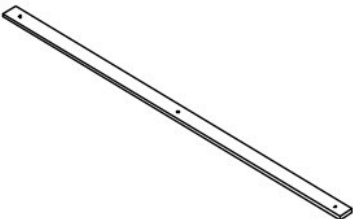

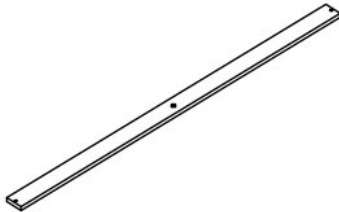
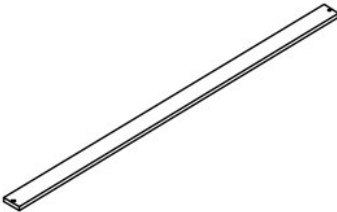
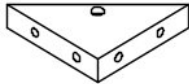

HARDWARE



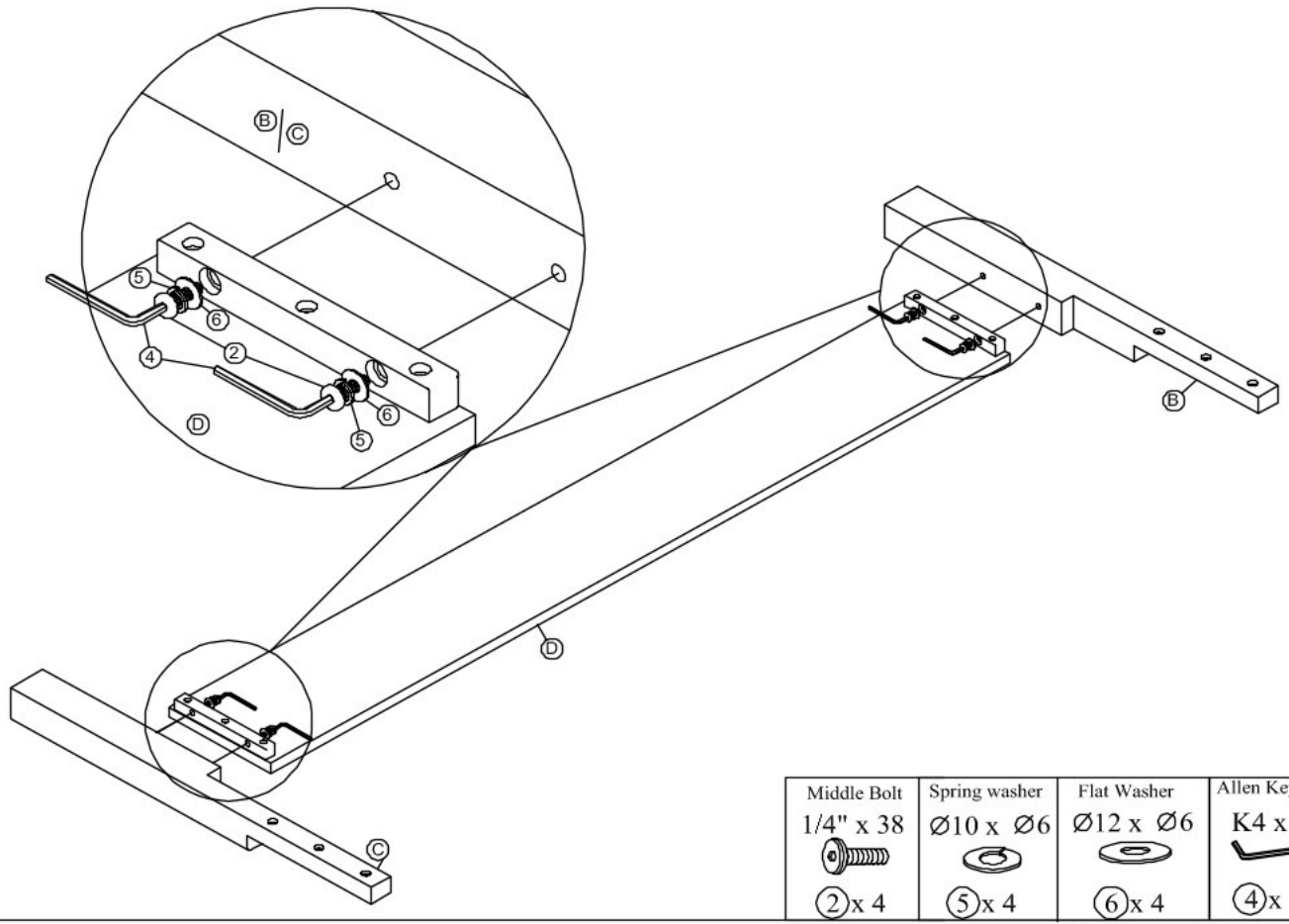
PARTS





check that you've received all parts listed below

BOX : 2

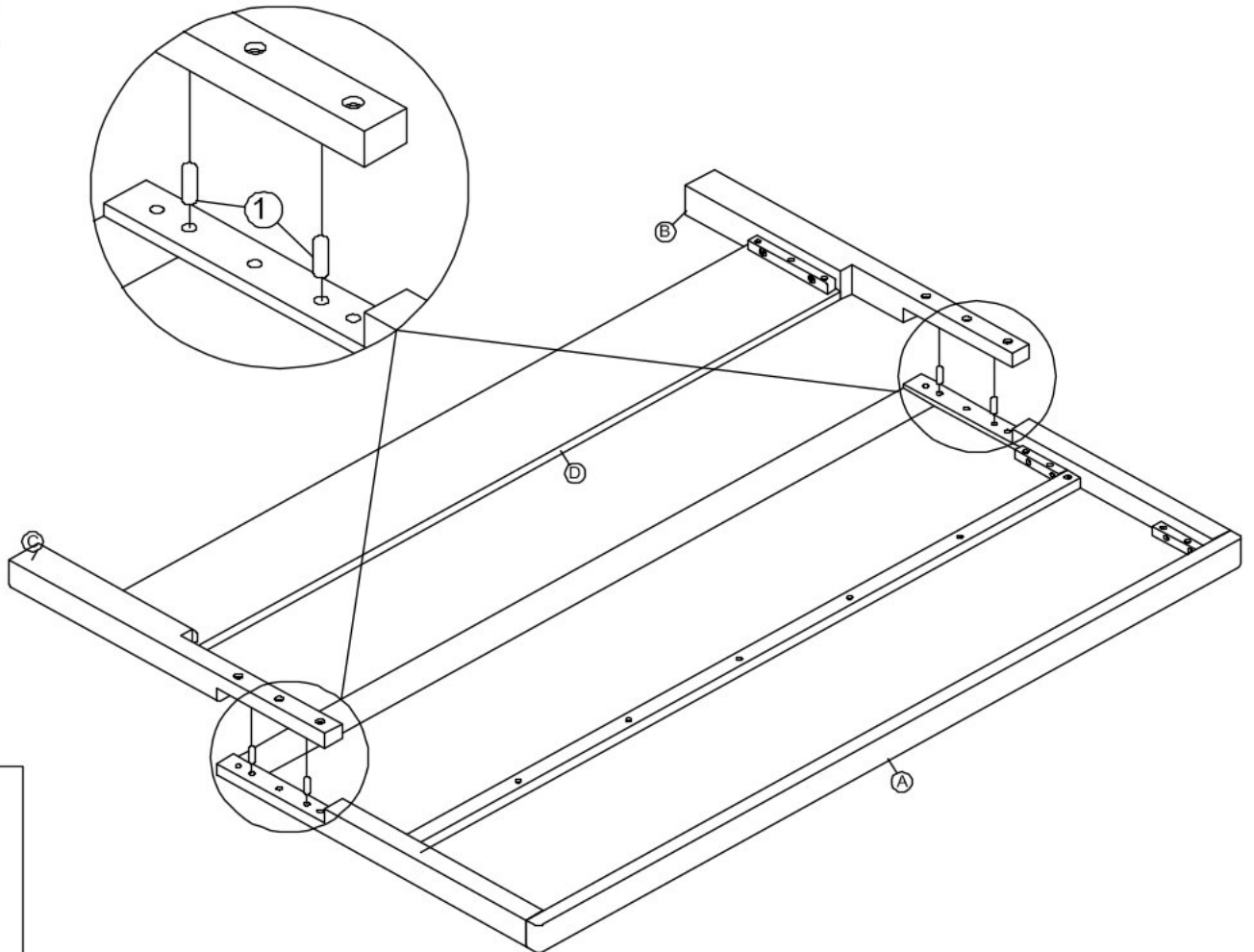
<p>F</p>  <p>Right Side Rail x 1pc</p>	<p>G</p>  <p>Left Side Rail x 1pc</p>	<p>H</p>  <p>Support Bar x 1pc</p>
<p>I</p>  <p>Middle Legs x 3pcs</p>	<p>J</p>  <p>Support Slats x 3pcs</p>	<p>K</p>  <p>Slats x 10pcs</p>
<p>L</p>  <p>Support Legs x 2pcs</p>	<p>M</p>  <p>Round Legs x 2pcs</p>	


Step1



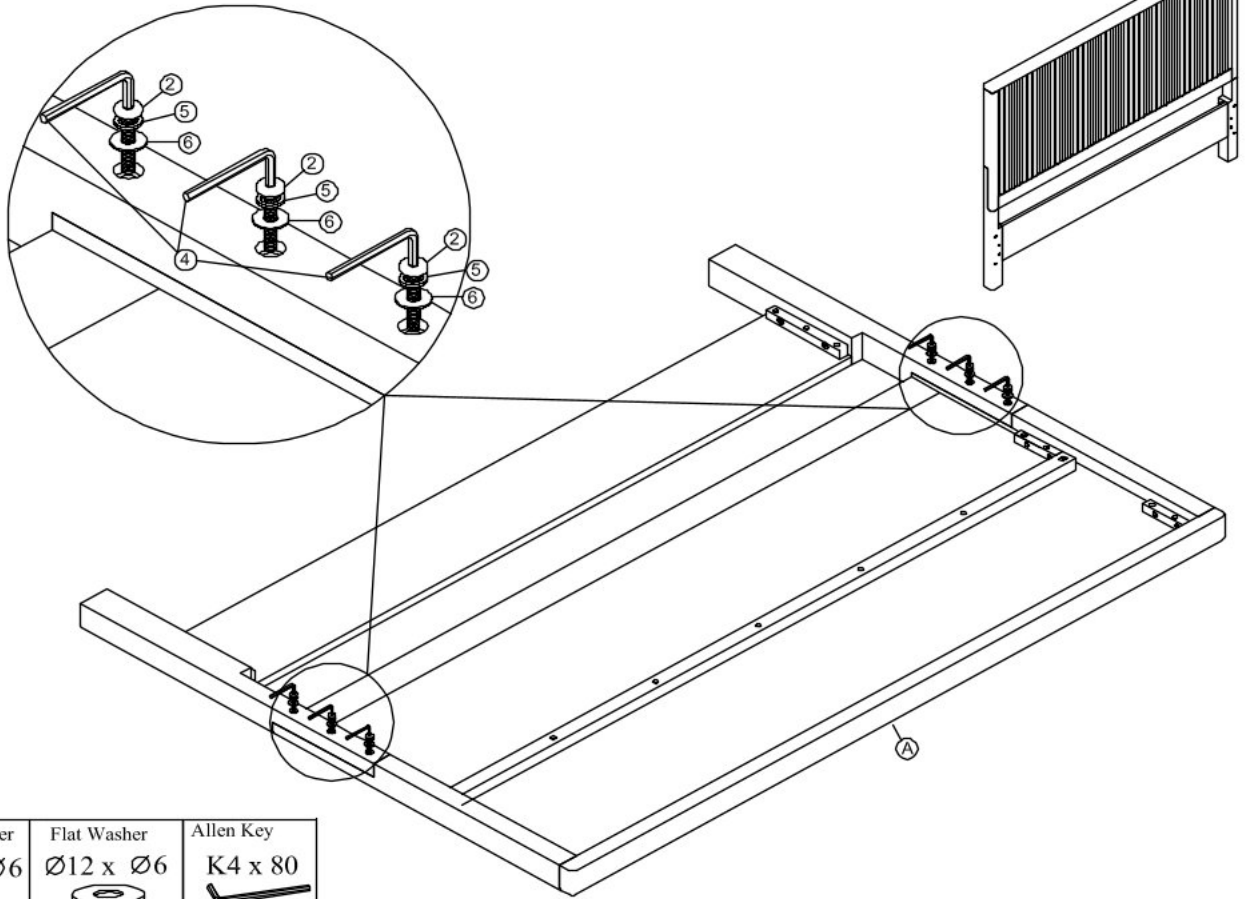
Middle Bolt	Spring washer	Flat Washer	Allen Key
1/4" x 38	Ø10 x Ø6	Ø12 x Ø6	K4 x 80
			
② x 4	⑤ x 4	⑥ x 4	④ x 1





Step2



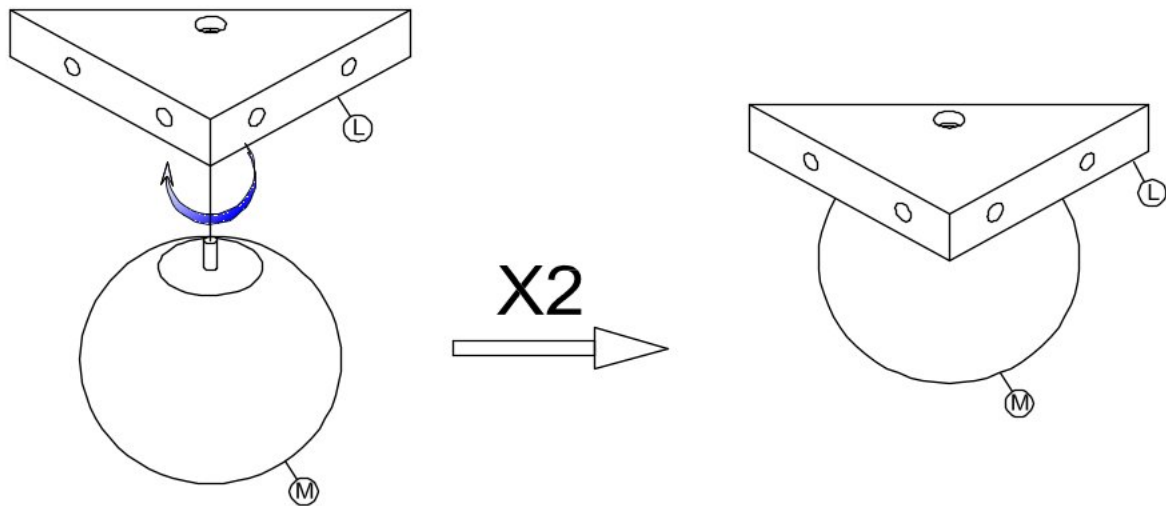
Wooden Dowel
Ø10 x 30

① x 4

Step3

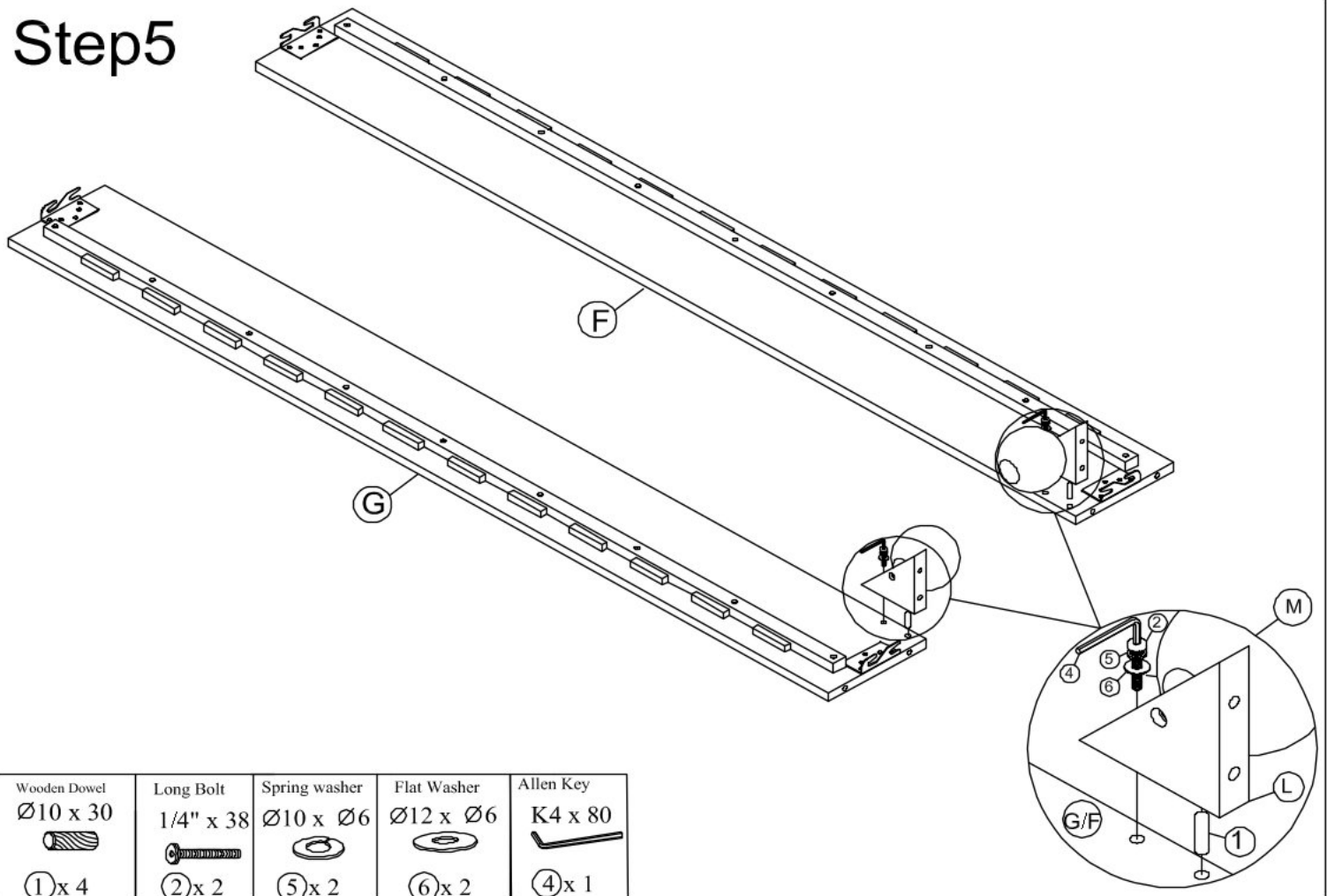


Long Bolt	Spring washer	Flat Washer	Allen Key
1/4" x 38	Ø10 x Ø6	Ø12 x Ø6	K4 x 80
			
②x 6	⑤x 6	⑥x 6	④x 1

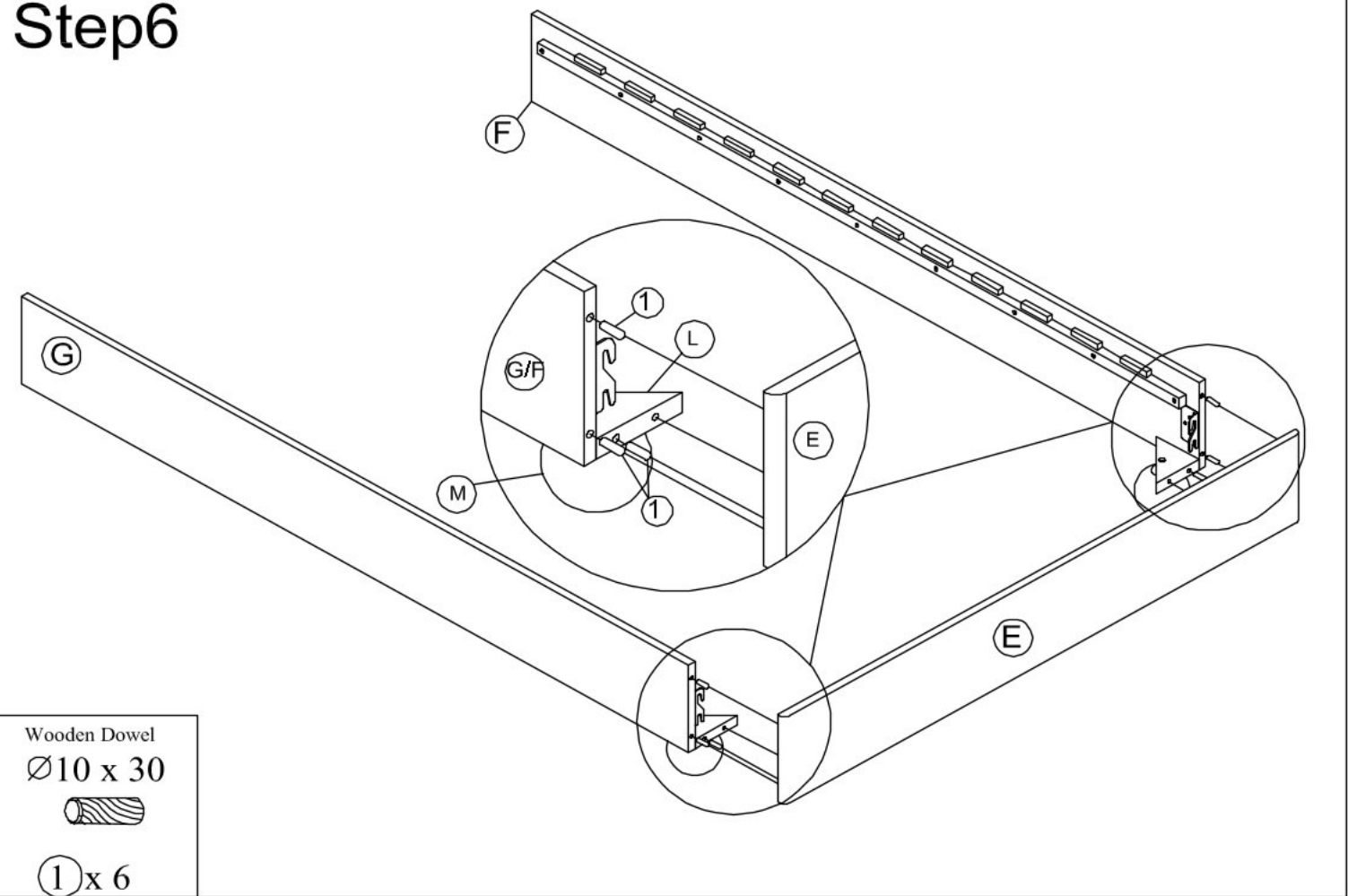
Step4



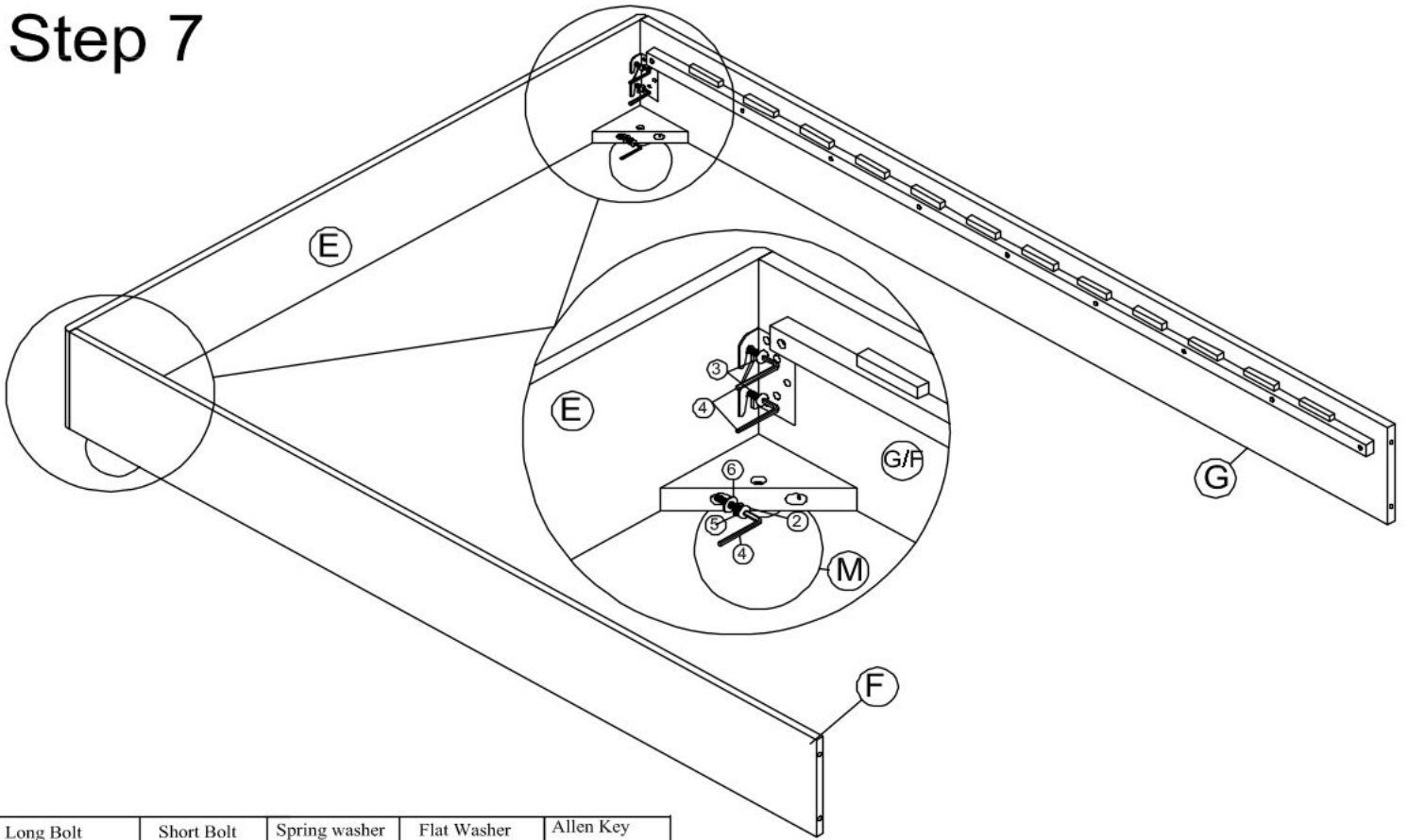
Step5








Step6

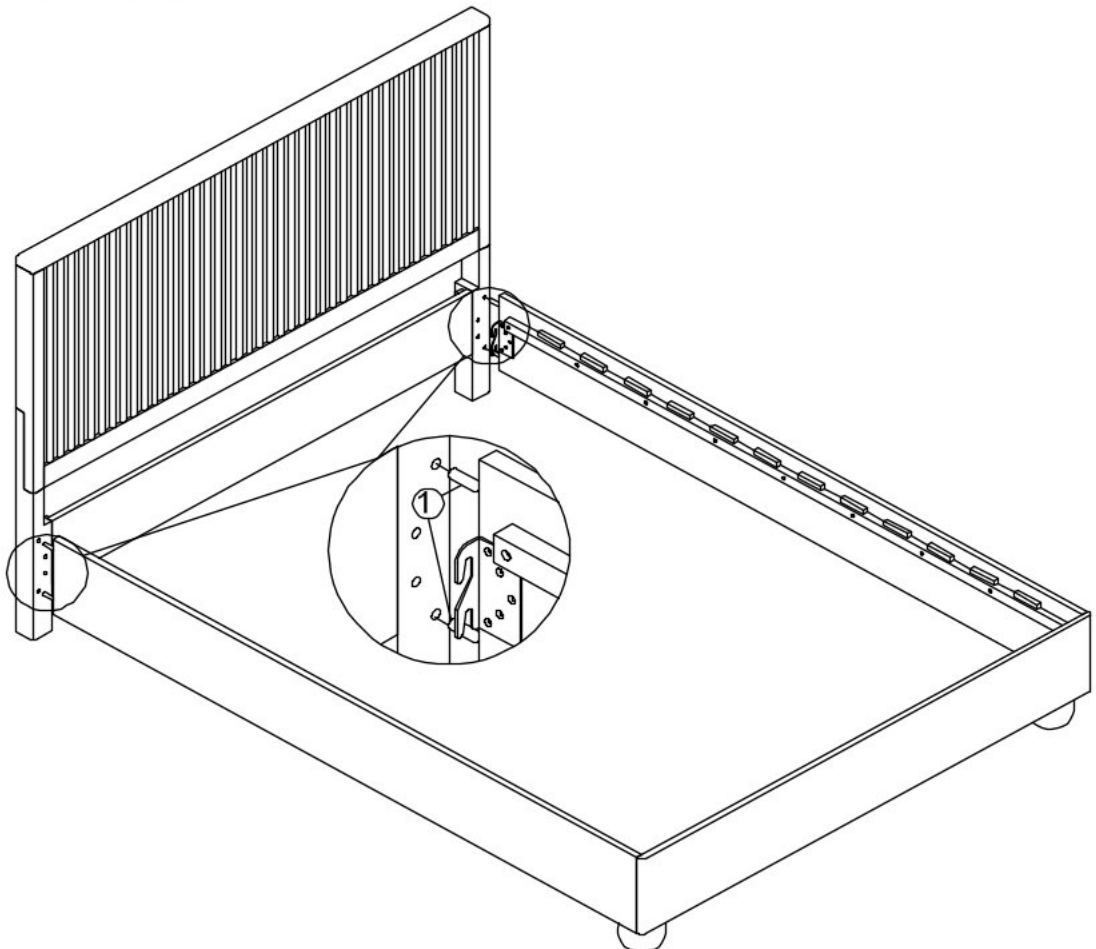



Step 7



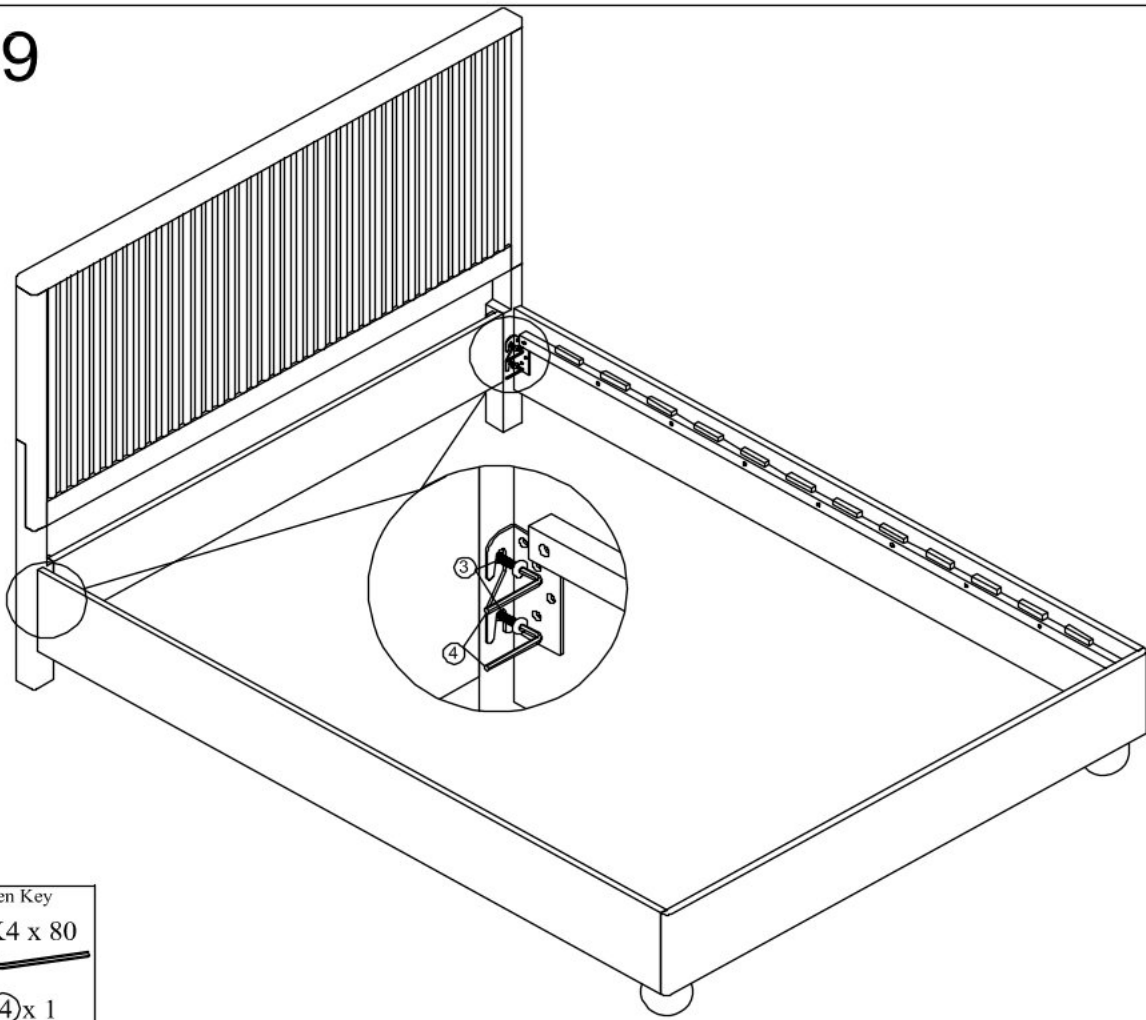
Long Bolt	Short Bolt	Spring washer	Flat Washer	Allen Key
1 1/4" x 38	1/4" x 15	Ø10 x Ø6	Ø12 x Ø6	K4 x 80
				
② x 2	③ x 4	⑤ x 2	⑥ x 2	④ x 1



Step 8



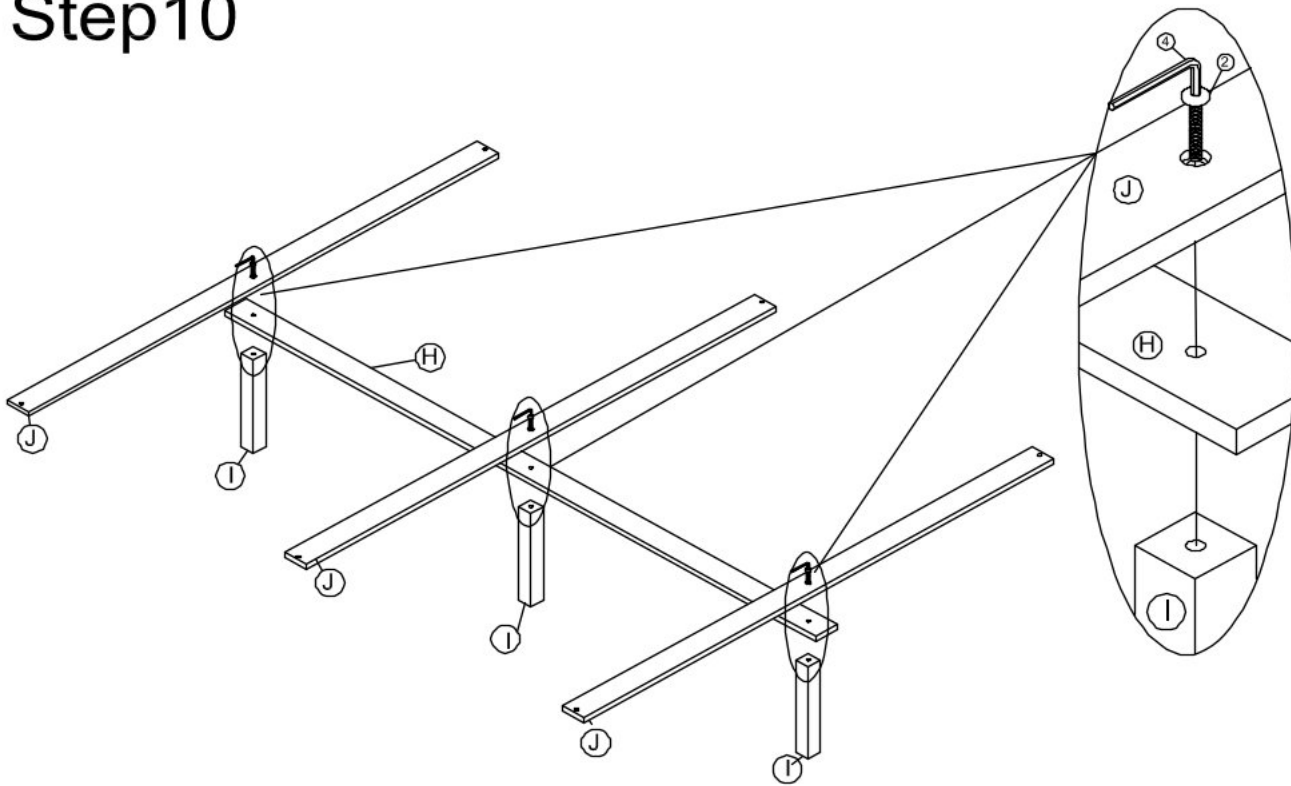
Wooden Dowel
Ø10 x 30

① x 4



Step 9



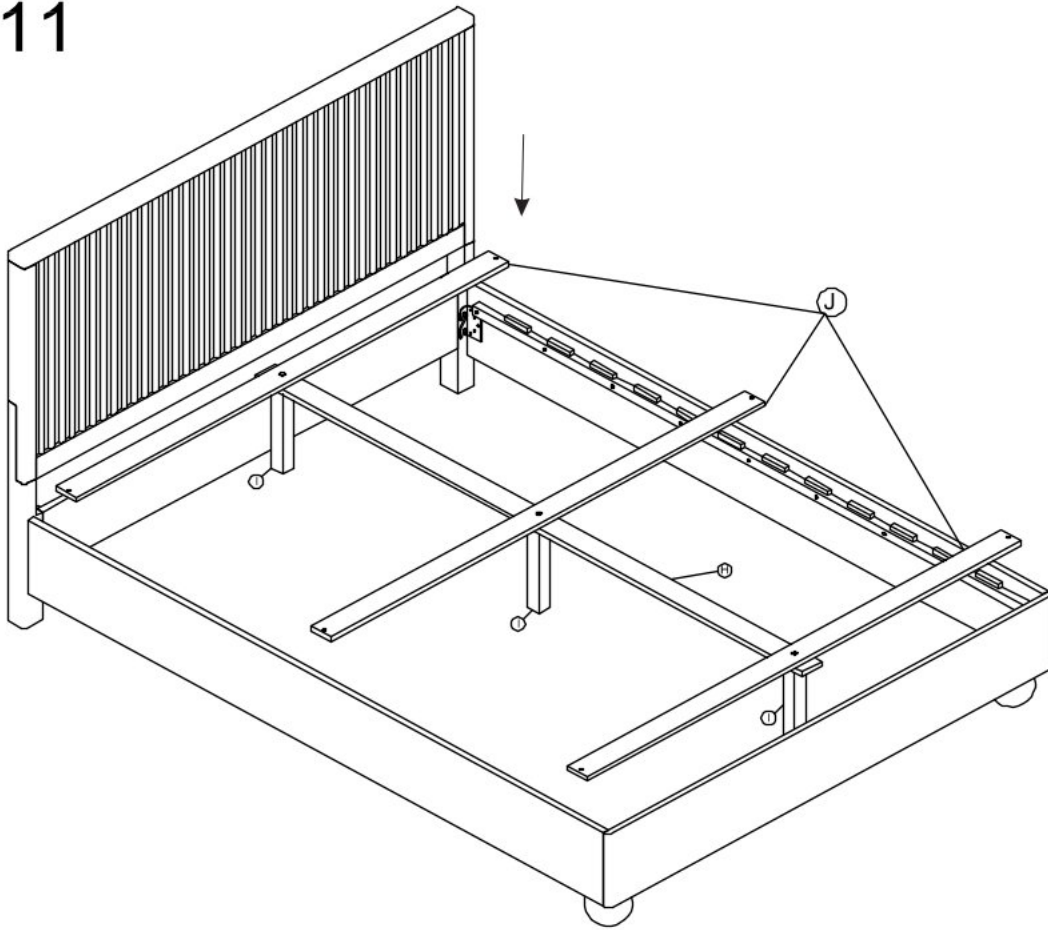
Short Bolt 1/4" x 15	Allen Key K4 x 80
	
③ x 4	④ x 1

Step 10

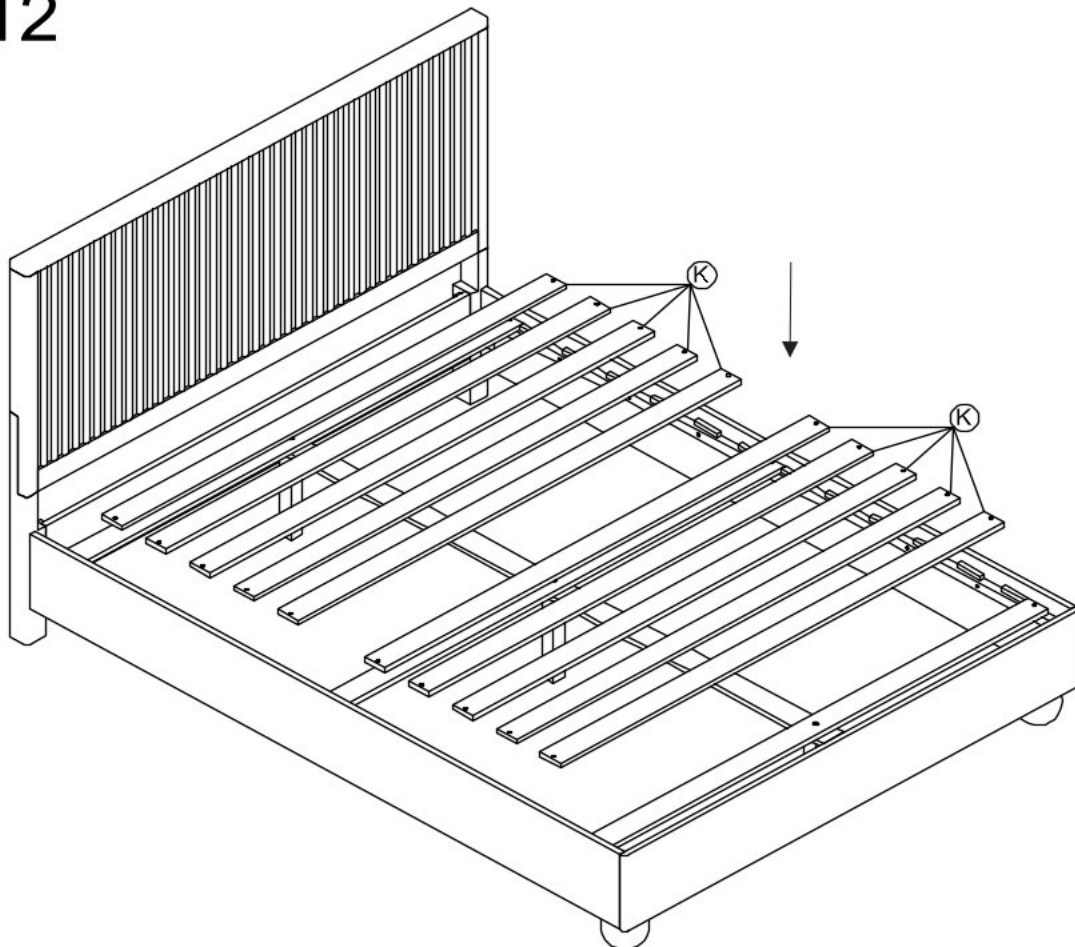


Long Bolt 1/4" x 38	Allen Key K4 x 80
	
② x 3	④ x 1

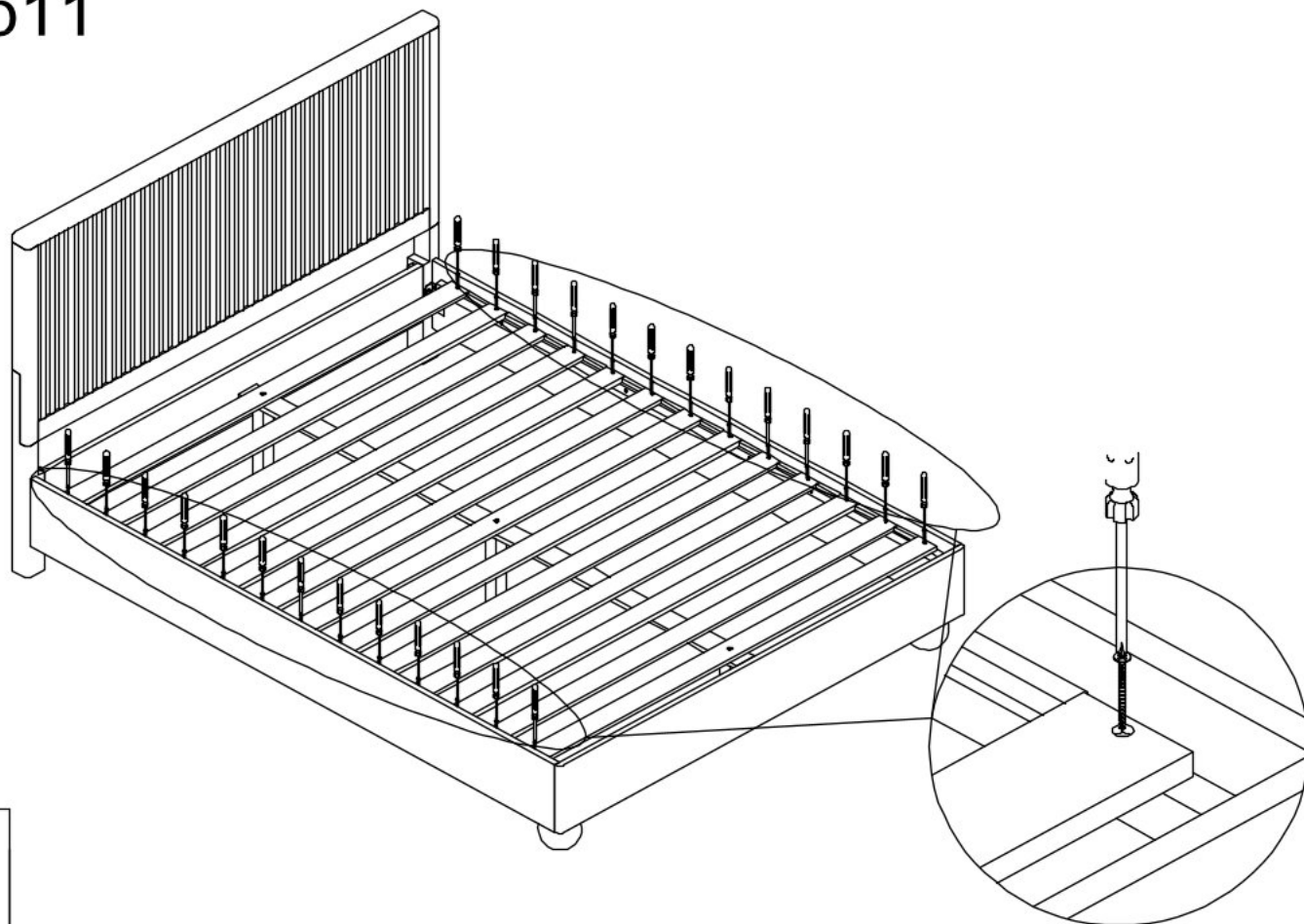
Step 11



Step 12

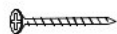


Step 11



Flat Screw

Ø4 x 25



7 x 26

Done !

