



**INSTALLATION
INSTRUCTIONS**

ERGONOMIC DESIGN

NECK

BACK

HIPS



Sedentary not tired
easily support
every pressure point

HIGH DENSITY SPONGE HIGH EFFICIENCY

Rebound can effectively disperse body pressure

MINIMALIST DESIGN



LEATHER MATERIAL DELICATE TREATMENT

Feel plump smooth and easy to clean

MINIMALIST DESIGN

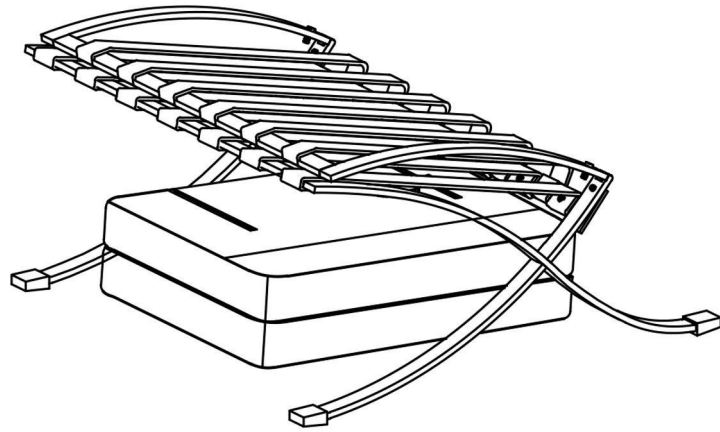
STABLE STAINLESS STEEL CHAIR FEET

Mold - more stable body forming

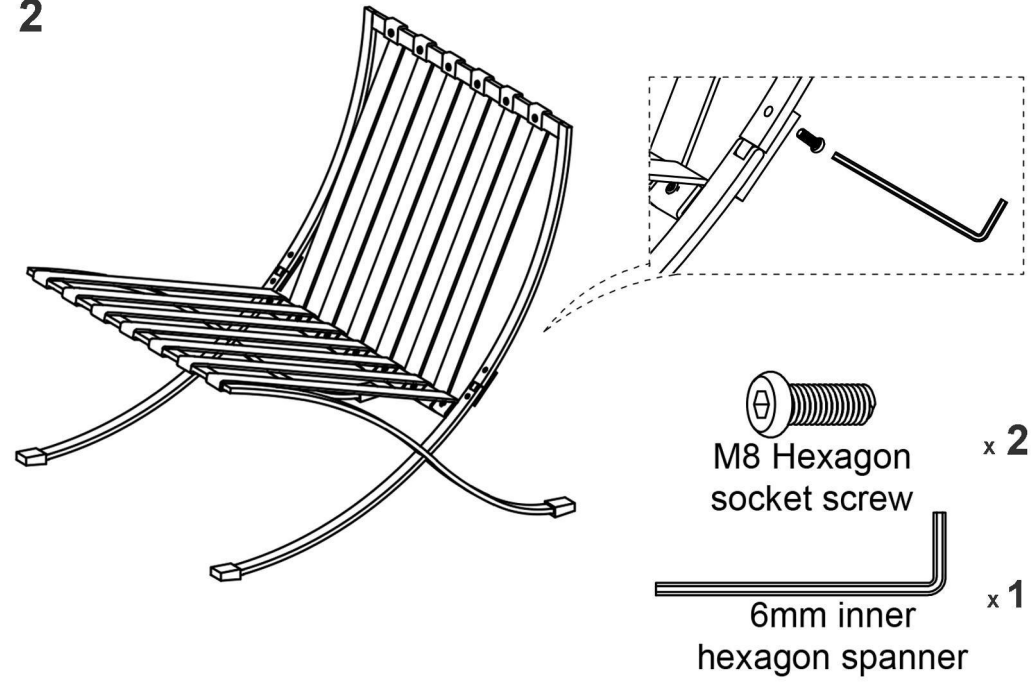
MINIMALIST DESIGN



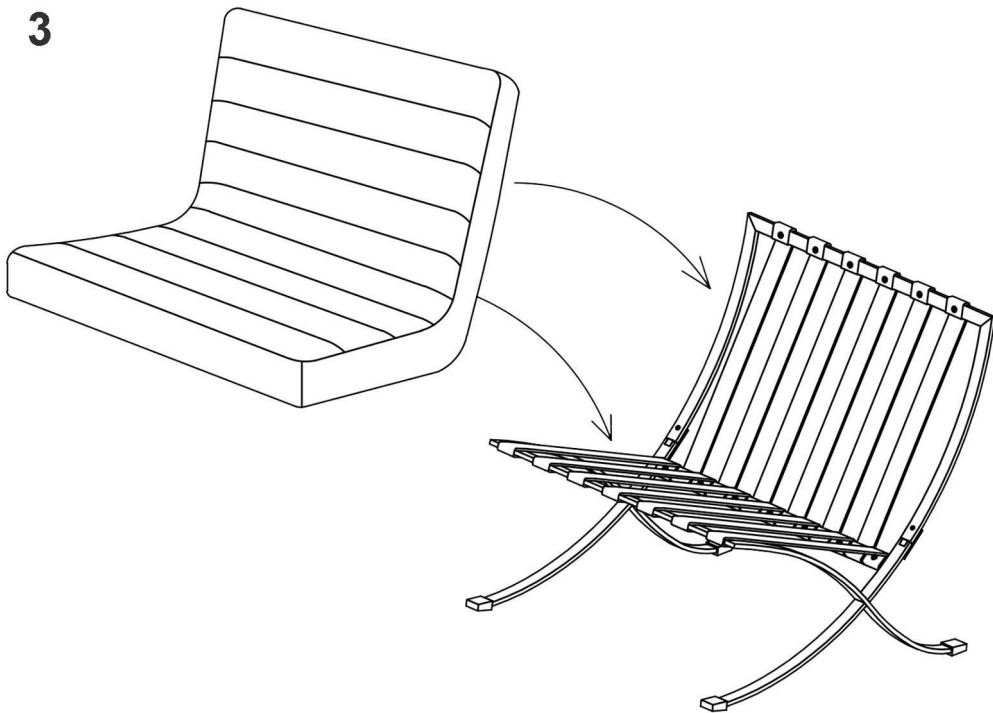
1



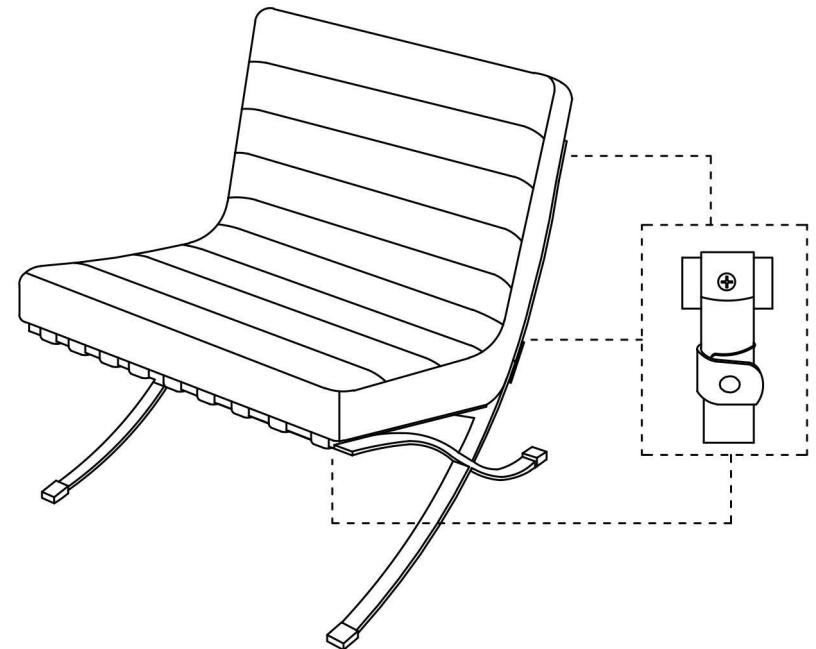
2



3



4





SIMPLE BUT NOT UNCOMMON



TWITTER: @HOMY690021601