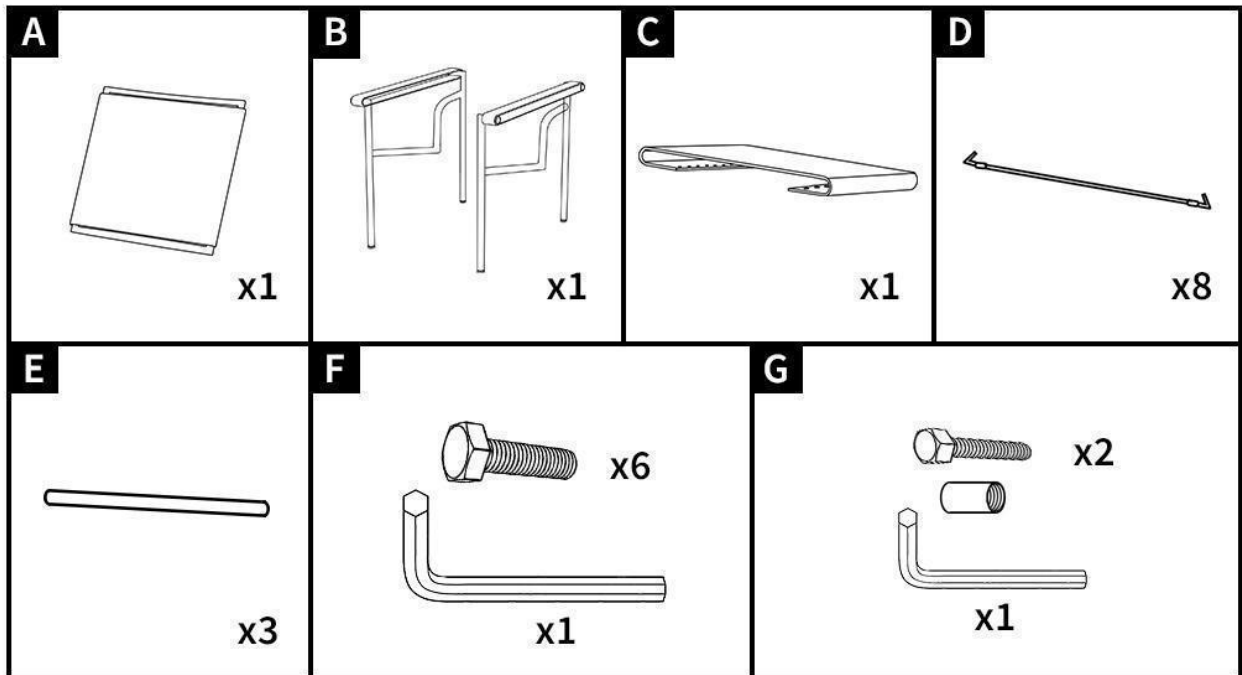
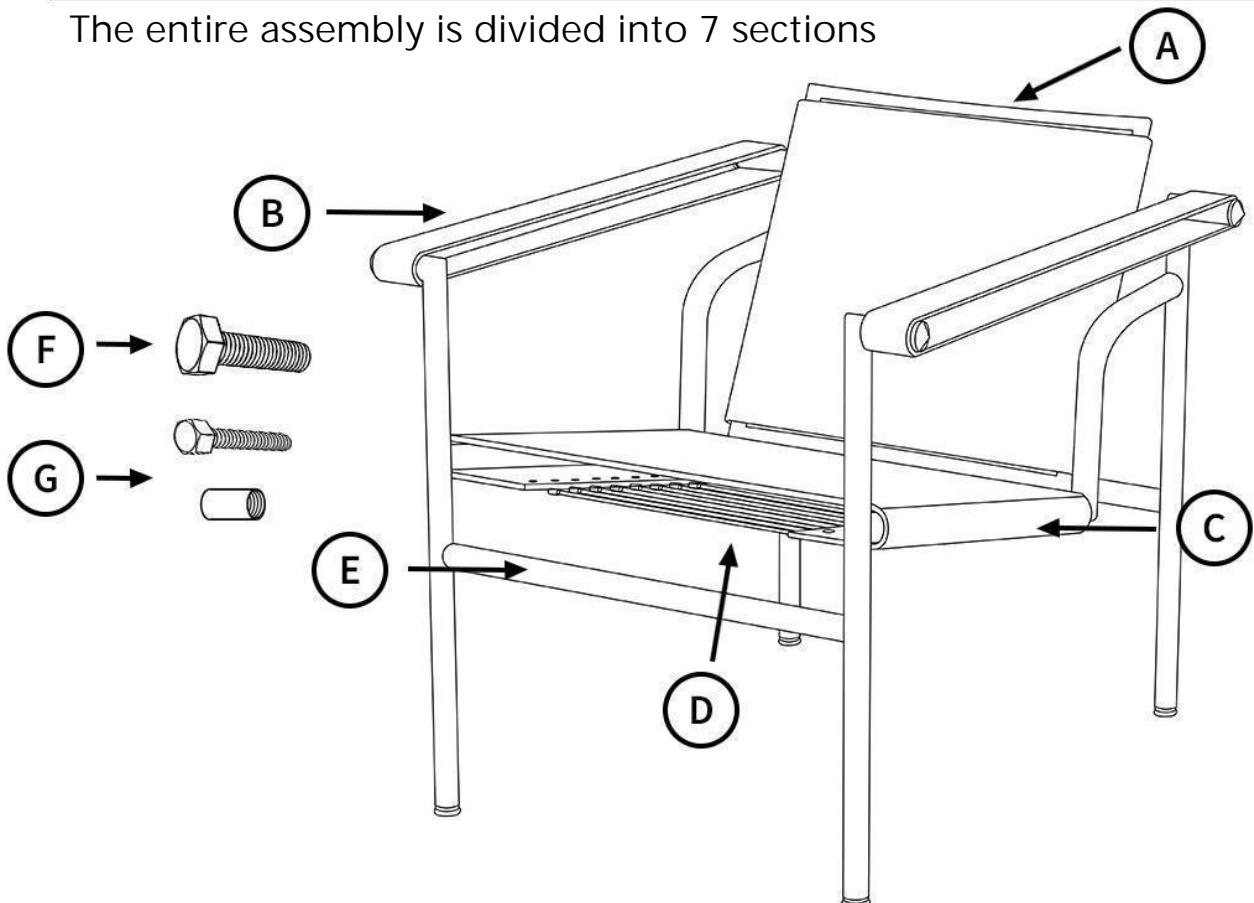


Below are the parts required for installation

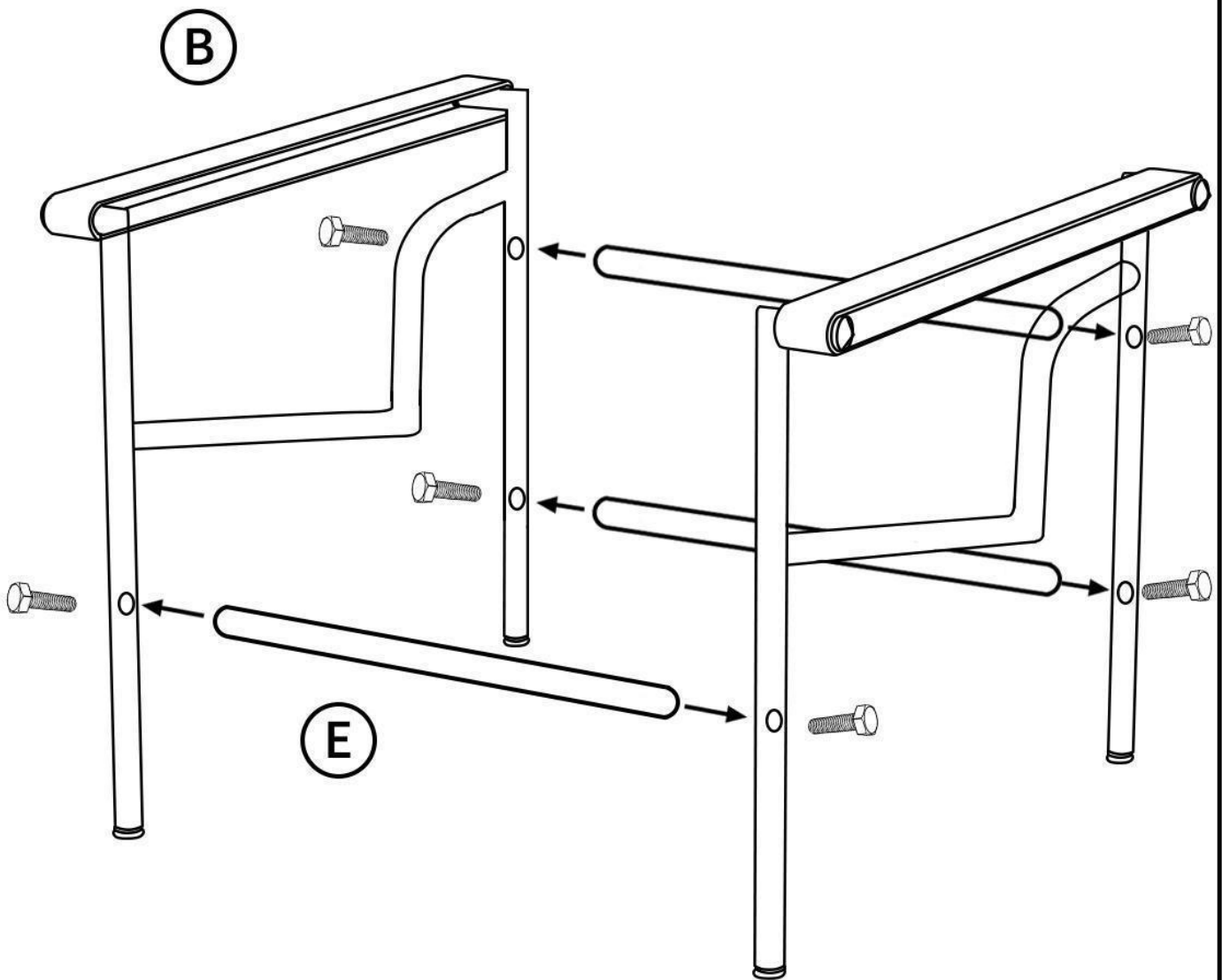


The entire assembly is divided into 7 sections



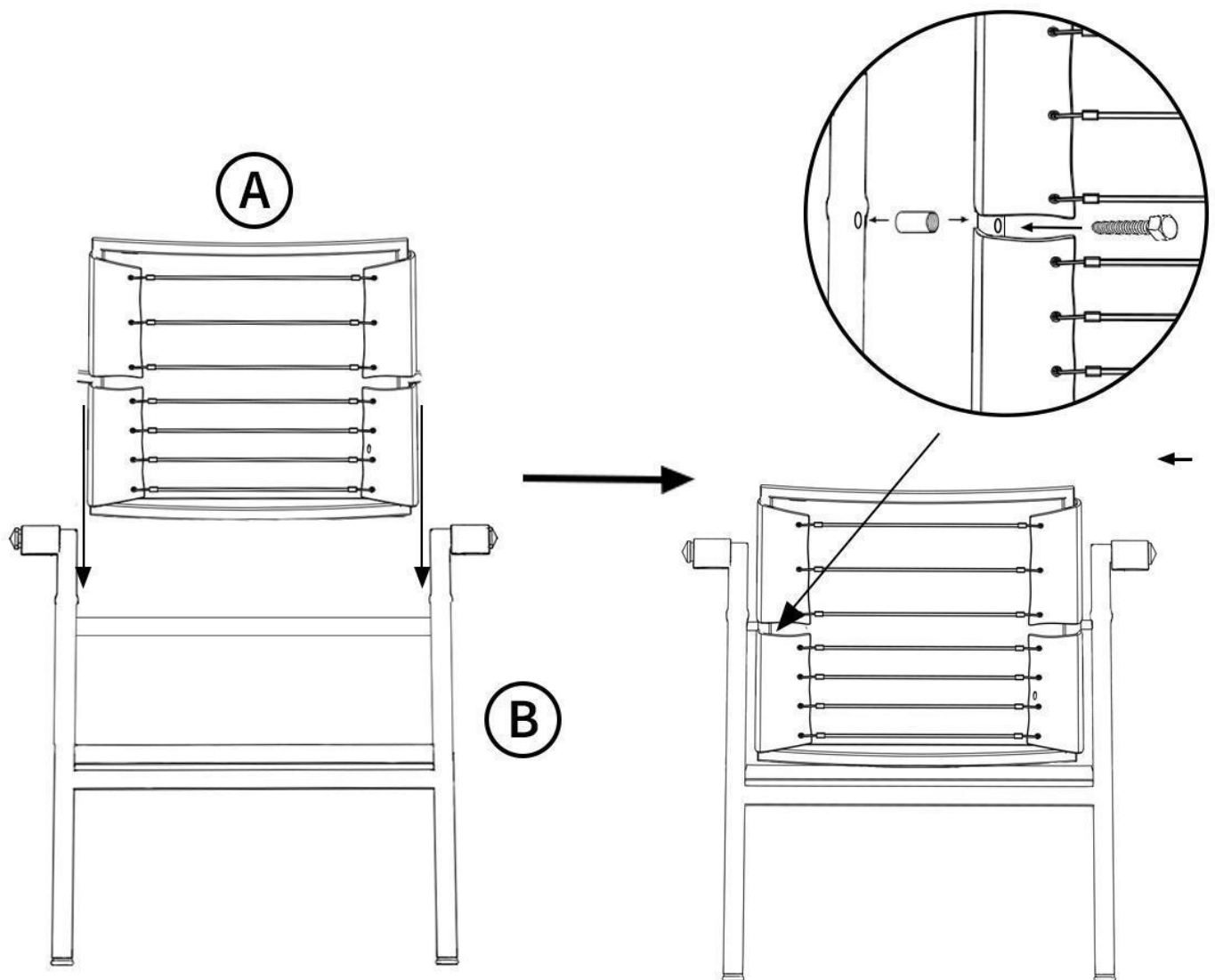
Step 1

Connect parts **B** and **E** as shown in the diagram, and securely tighten screw **F** using a large L-shaped wrench.



Step 2

Place part **A** into the center of part **B** as shown in the diagram, align the screw holes, secure with screw and nut **G**, and tighten them in sequence using a small L-shaped wrench.



Step 3

Install part C onto part B as shown in the diagram. Then, align the spring section of part D with the holes on part C and secure each component sequentially.

