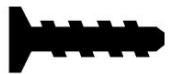


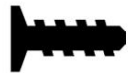
Chair Installation Steps

Screw Accessories



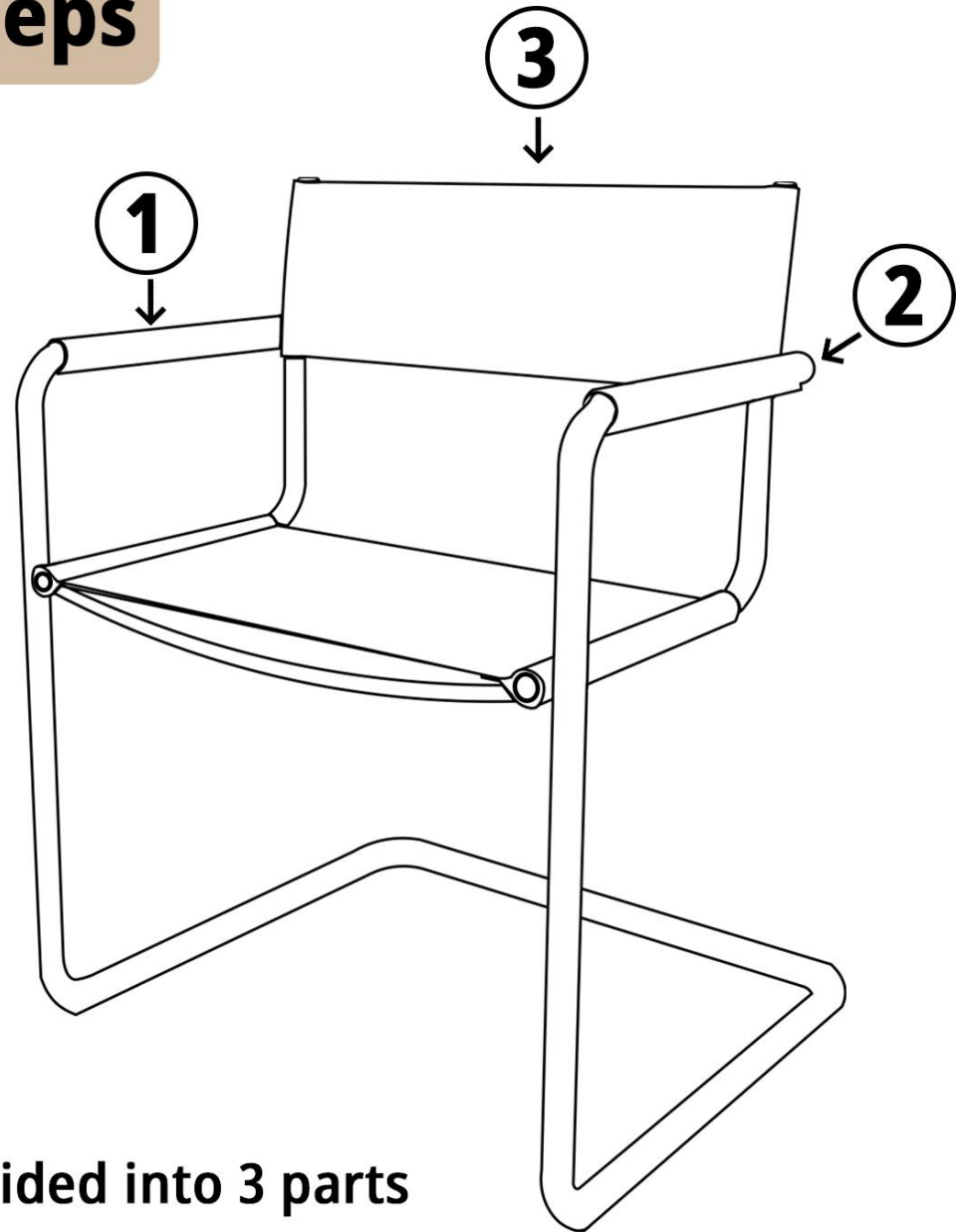
A*4

6*35mm



B*2

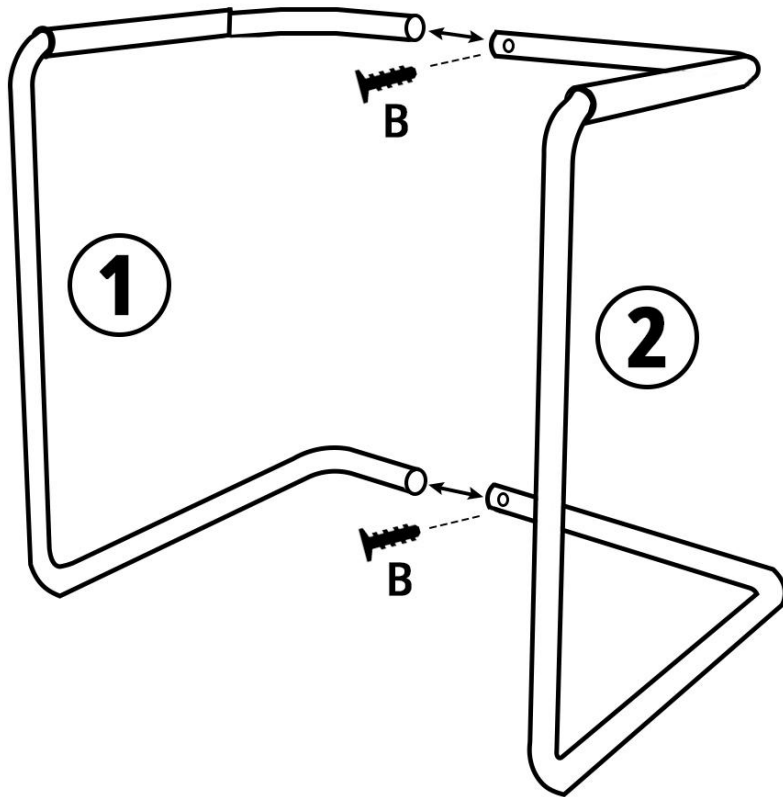
6*15mm



The whole is divided into 3 parts

step1

Connect part 1 and part 2 as shown in the figure, and fix them with screws B



step2

Lift the frame installed in step 1, align the screwholes, put the screws into the holes and tighten the 4 screws counterclockwise, and then tighten them later in order to prevent the subsequent screws from being screwed in.

