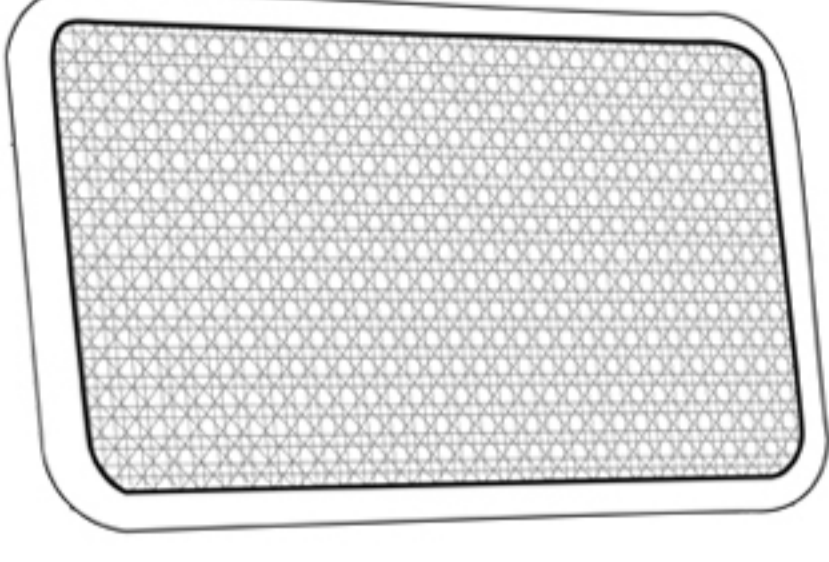
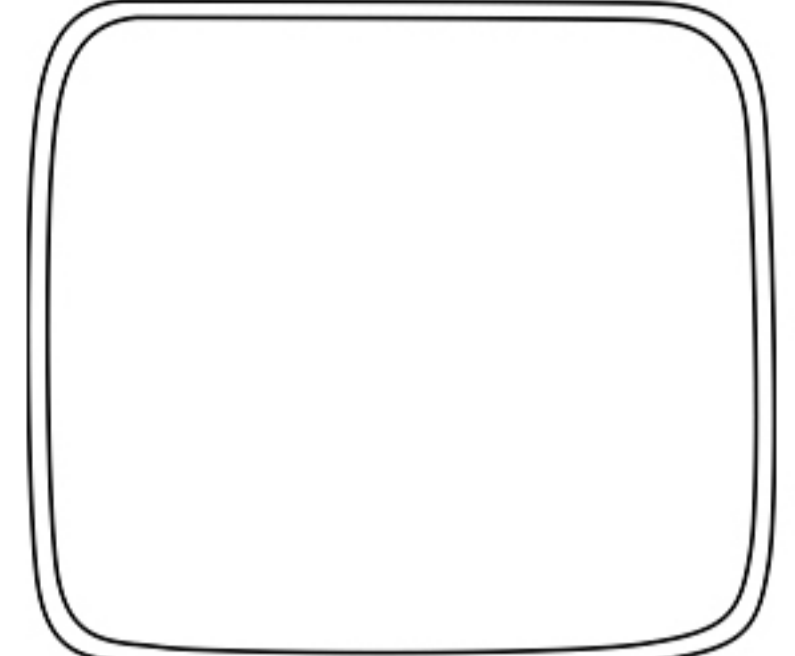
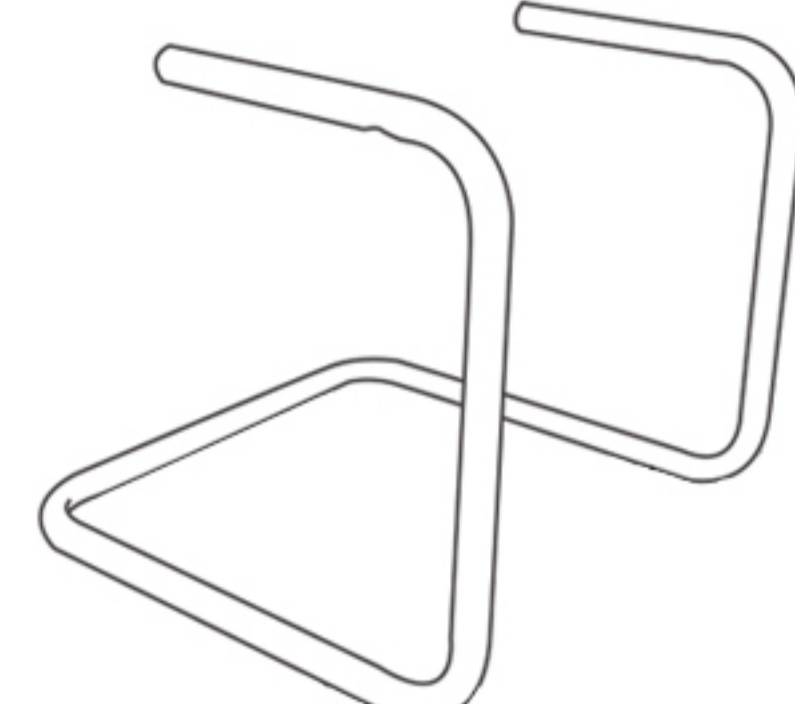
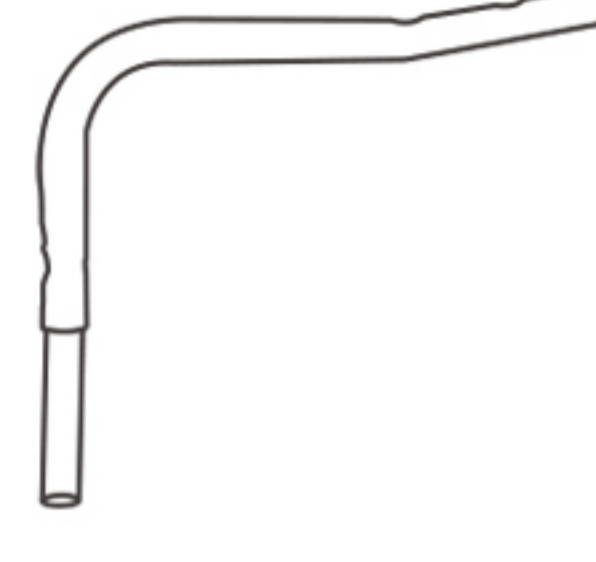
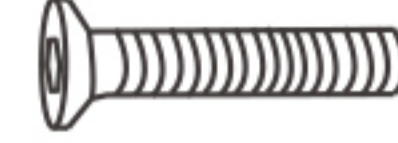
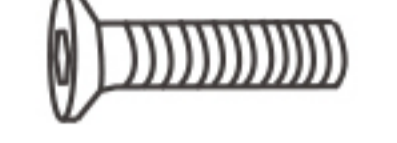
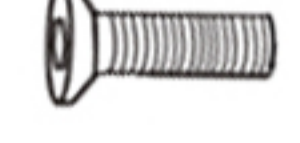

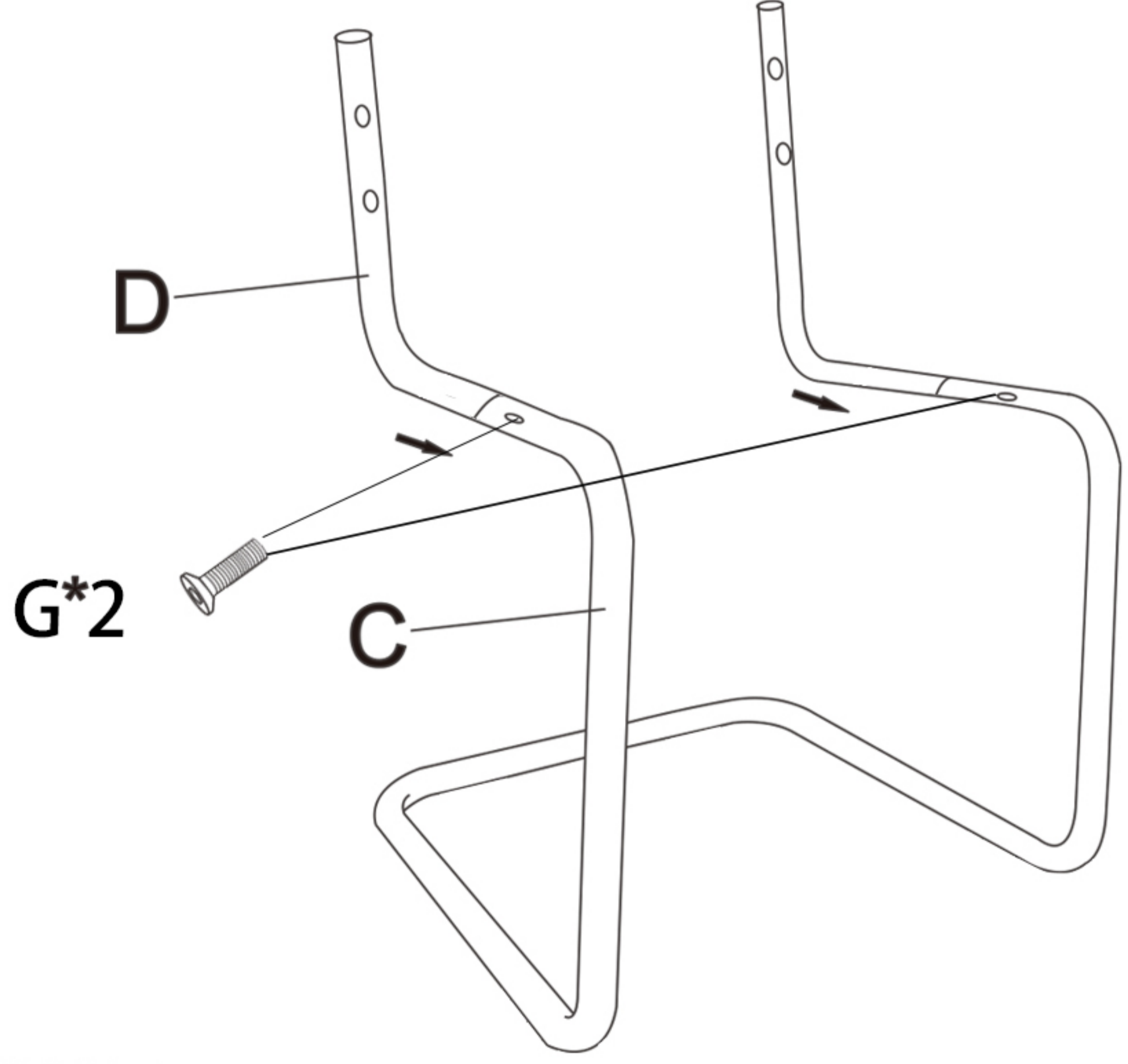
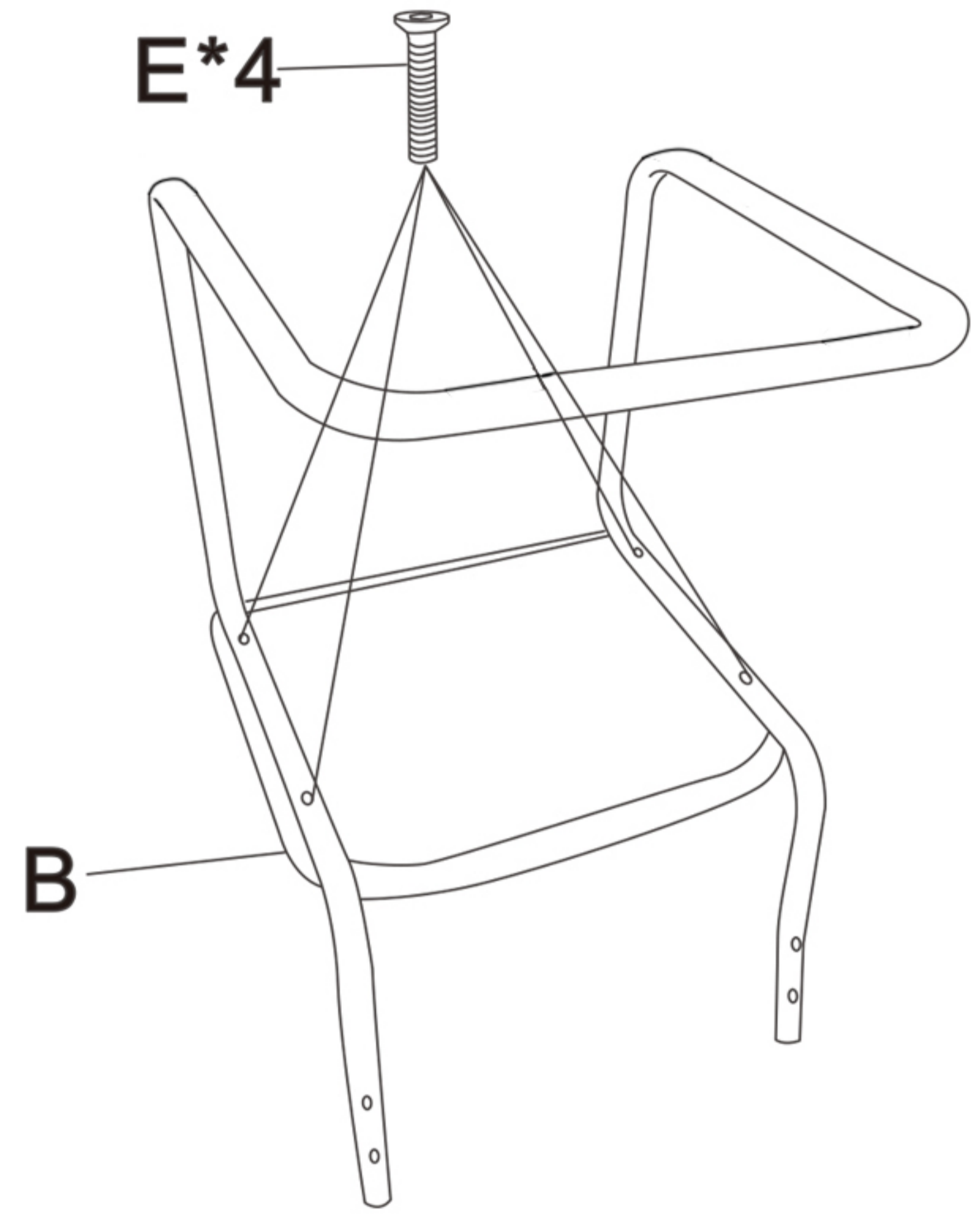
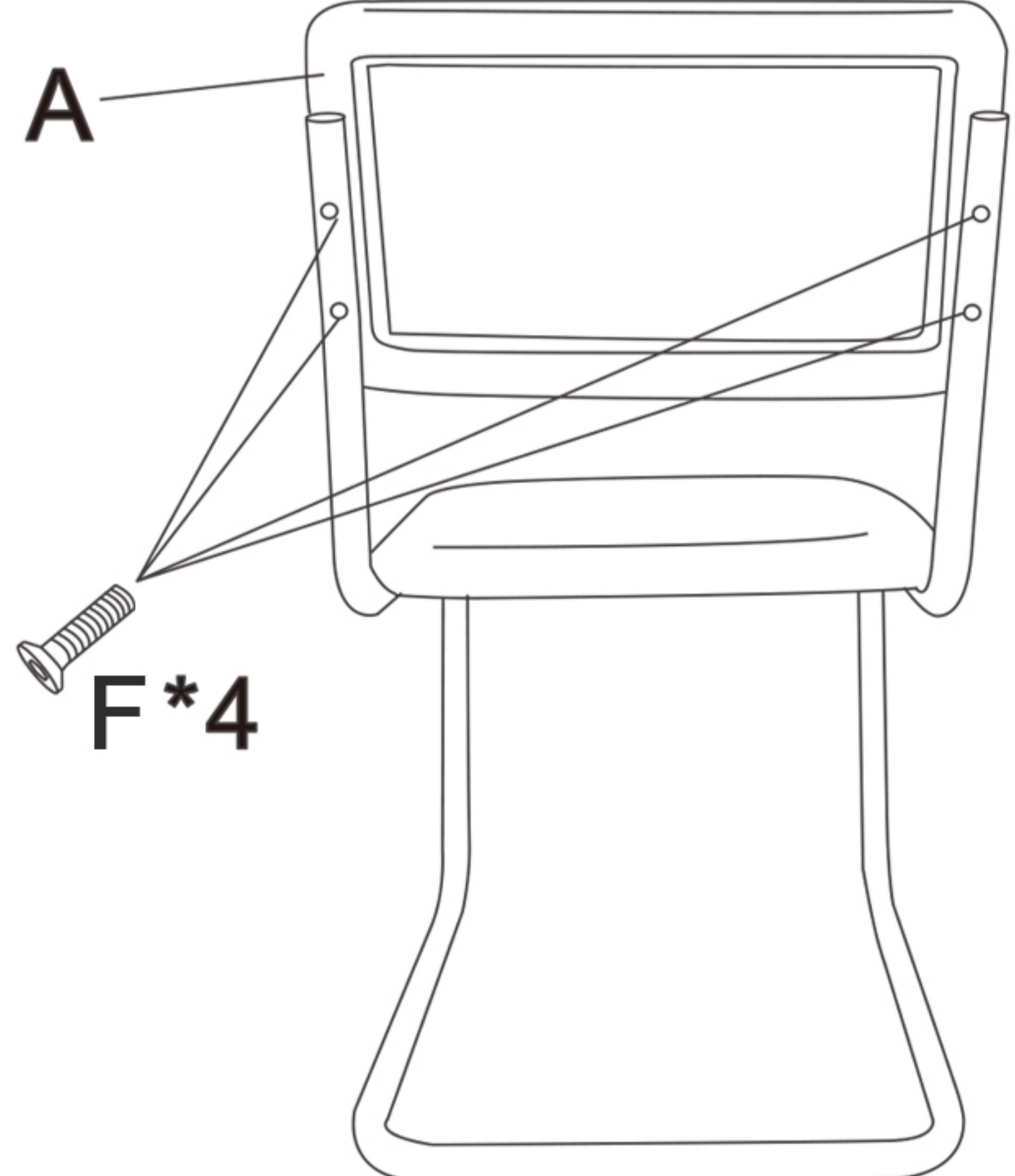
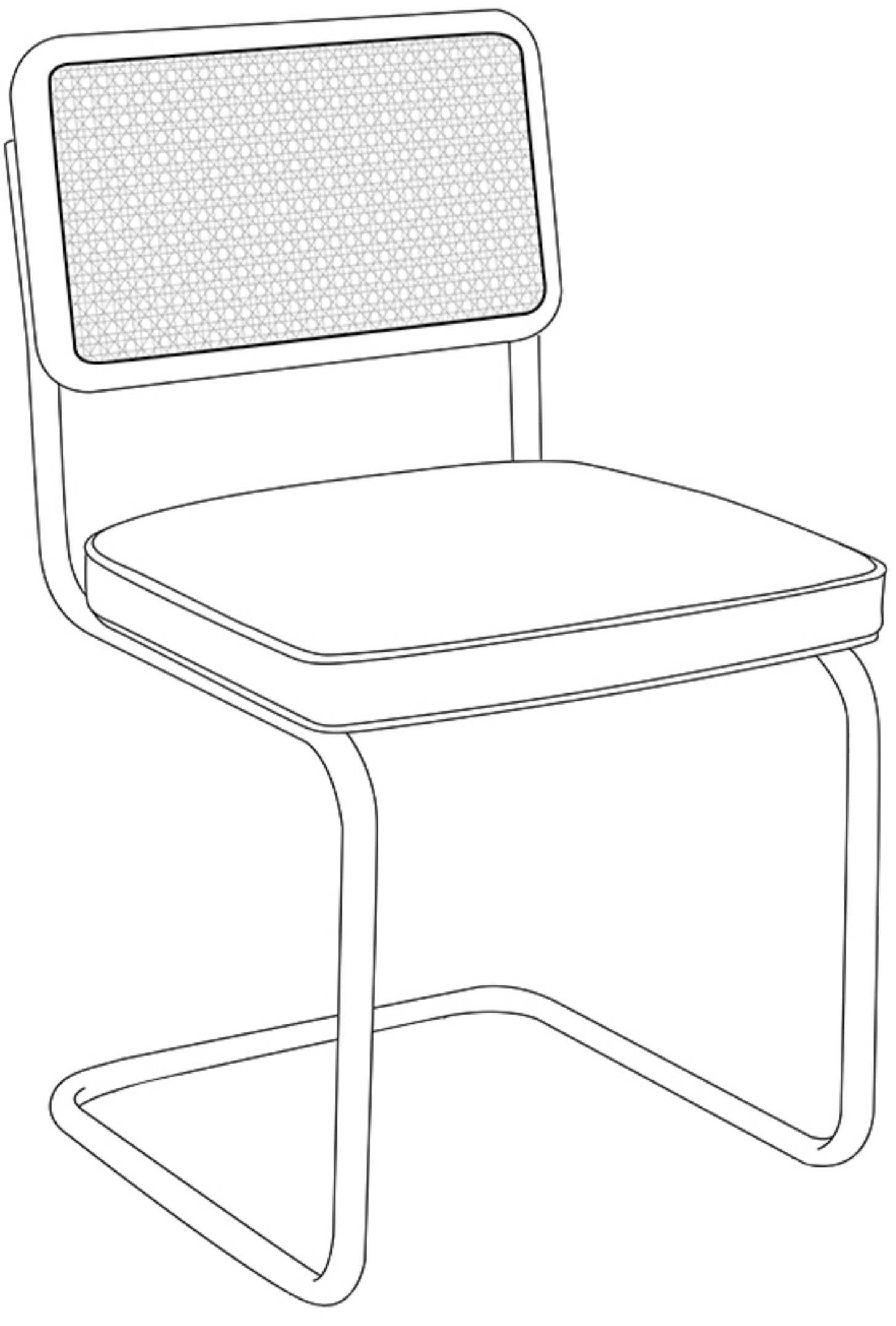


PARTS AND HARDWARE LIST

				 M6*40mm	 M6*35mm	 M6*16	
A*1	B*1	C*1	D*2	E*4	F*4	G*2	H*1

ASSEMBLY STEPS

Assembly tip: Just tighten the screws to 80% before all of them are aligned. After all the screws are aligned, tighten the remaining parts.

 <p>STEP 1. Insert frame parts D into the hole of part C as shown.</p>	 <p>STEP 2. All bolts/screws are lined up and inserted into the holes, attach seat part(B) to the metal unit part (C) and part(D) assembled as shown, secure it well by using bolt(E) and wrench (G).</p>
 <p>STEP 3. All bolts/screws are lined up and inserted into the holes, attach back part(A) to the metal unit part(C) and part(D) assembled as shown, secure it well by using bolt(F) and wrench(G)..</p>	 <p>STEP 4. Finished chair</p>