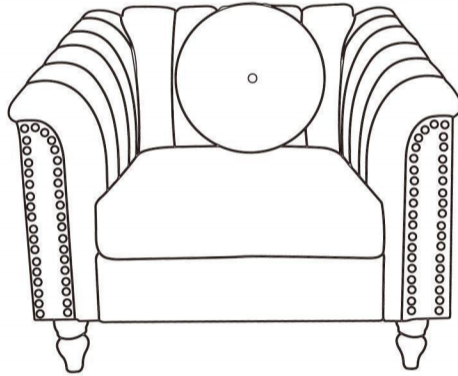


# ASSEMBLY INSTRUCTIONS



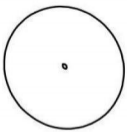
A: Bolt 4pcs  
I: Allen Key  
1pc



B: Shim 4pcs  
Spring Shim  
4pcs



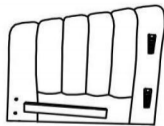
C: leg  
4pcs



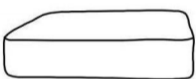
D: Pillow  
1pcs



E: Backrest  
1pcs



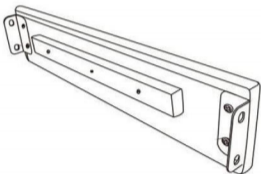
F: Arm  
2pcs



G: Seat Cushion  
1pcs

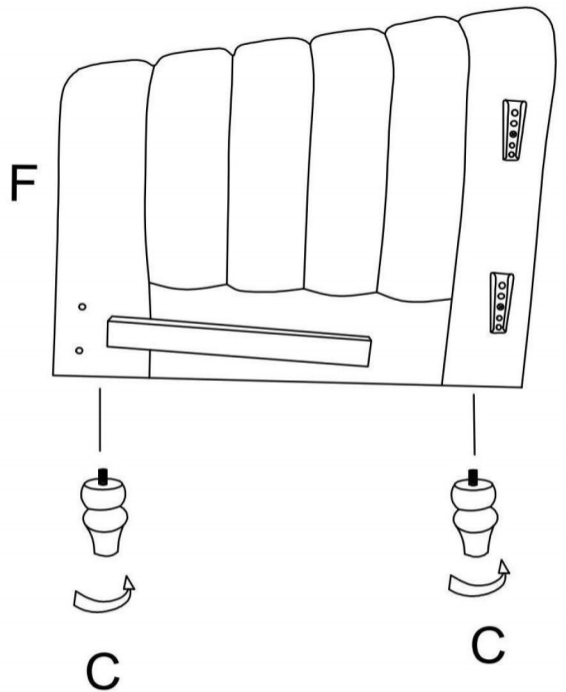


H: Seat Board  
1pcs

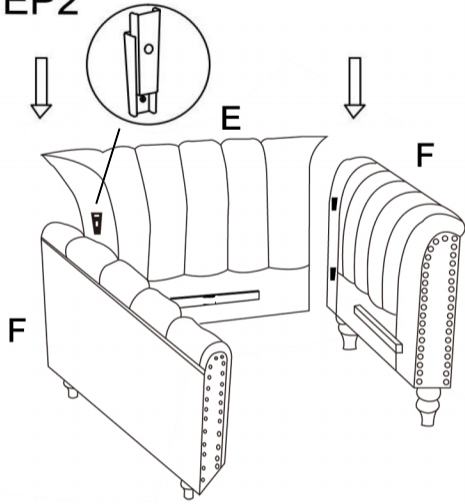


Z: Front Beard  
1pcs

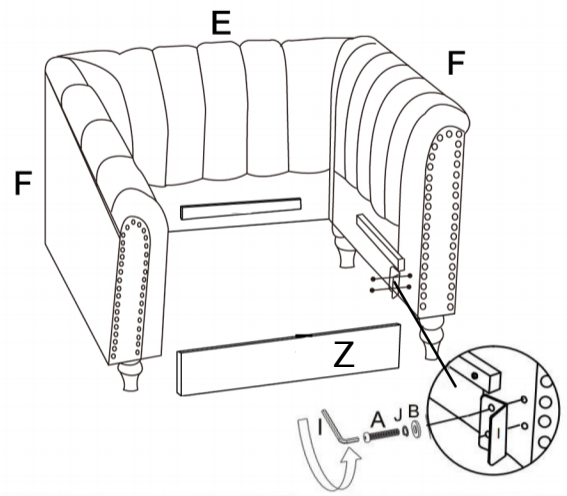
## STEP 1



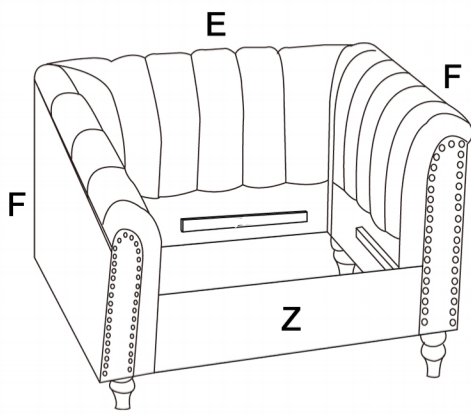
STEP2



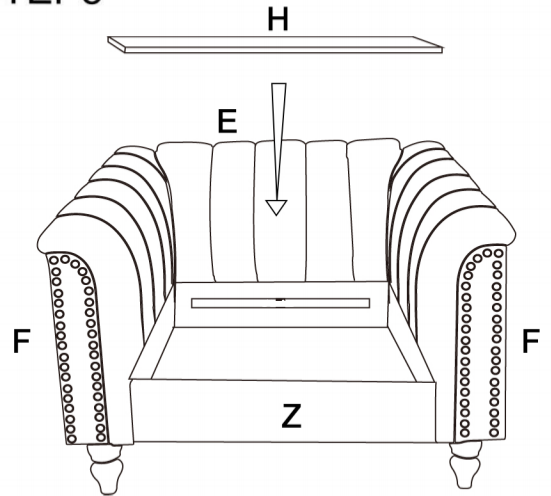
STEP3



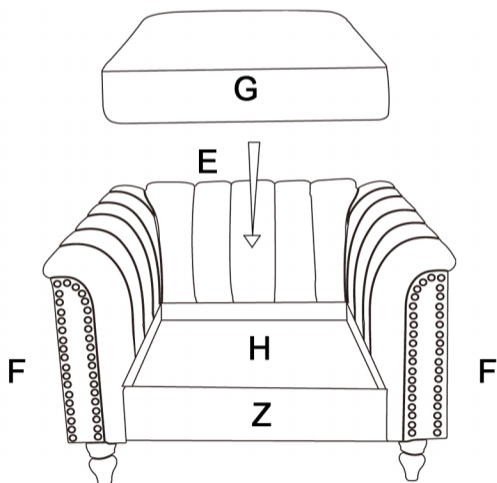
STEP4



STEP5



STEP6



STEP7

