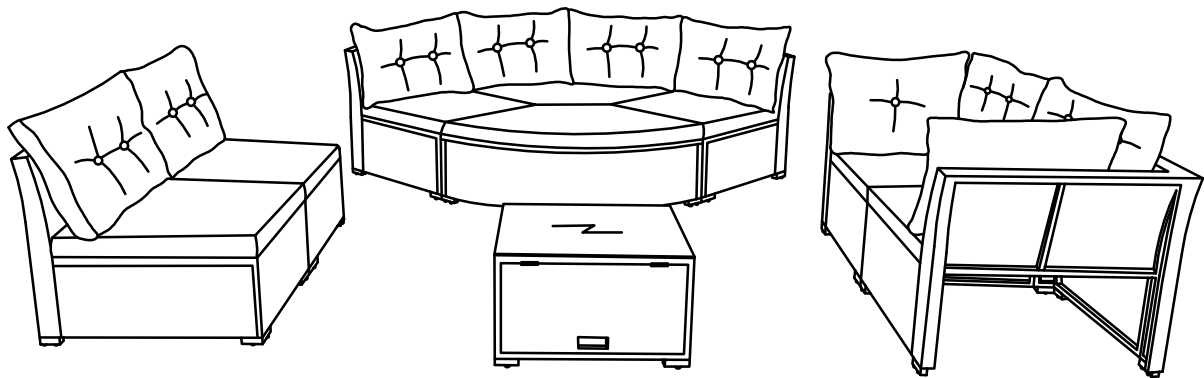


ASSEMBLY INSTRUCTION

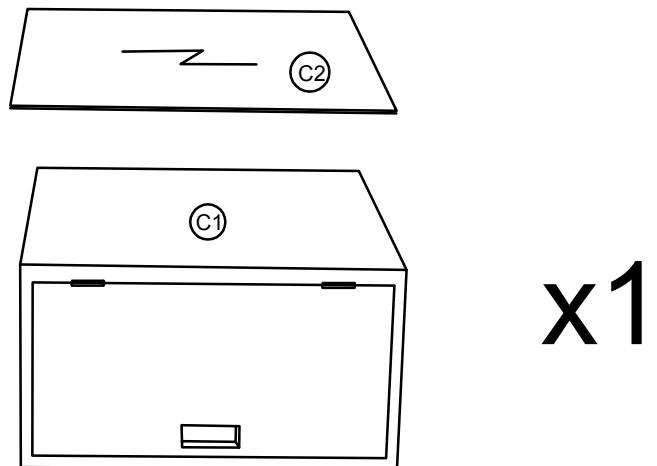
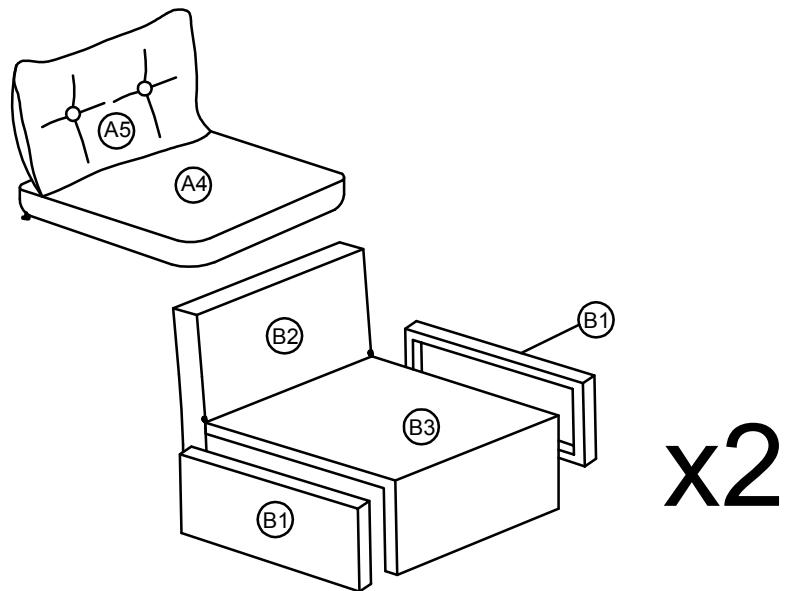
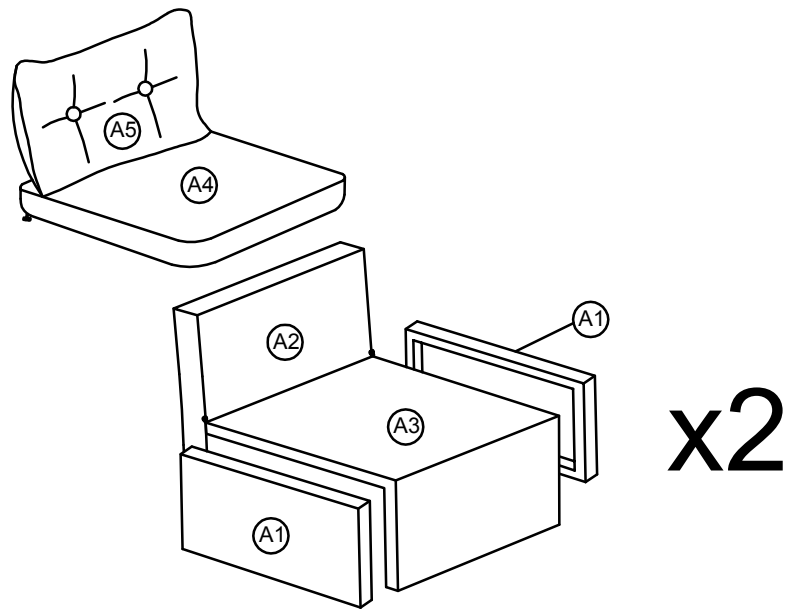
HT - 051

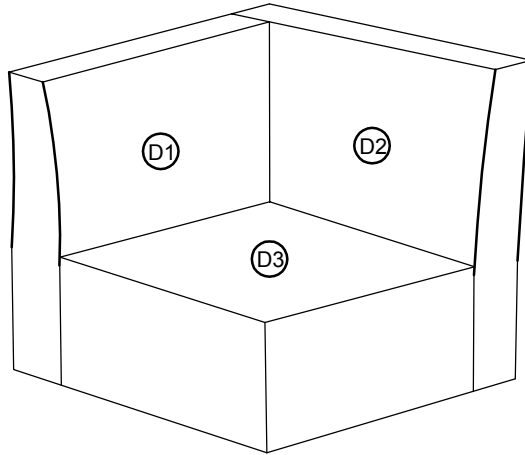
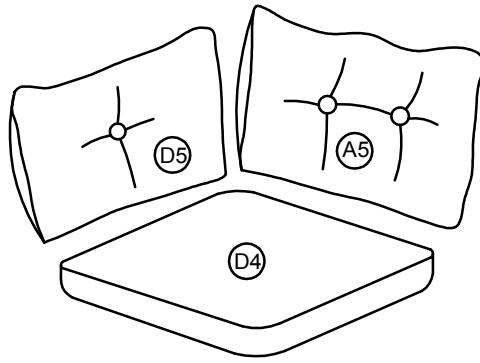


**WF316584 - WF316585 - WF316586 -
WF316587 - WF316588**

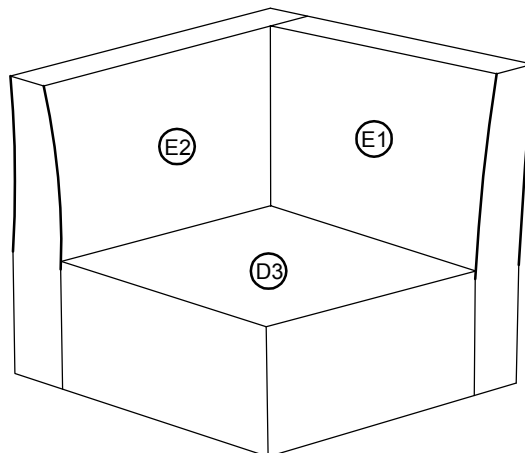
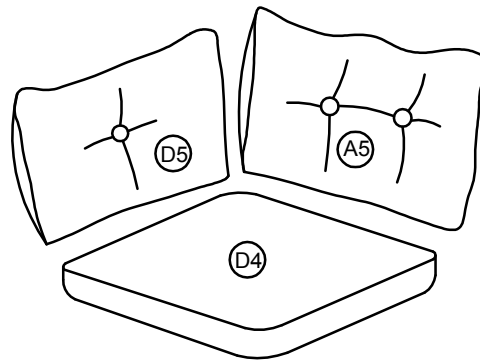
Notice:

1. 50% Tighten before fixing all screws, Allen wrench is recommended instead of an electric drill.
2. Place the item on a flat ground to adjust and make sure it remains stable.
3. Tighten up all screws with tools gradually.
4. If the screws are not aligned with holes during assembly, please loosen all the other screws to 50% and continue the assembly process.
5. If the item is not stable, please loosen all the screws, adjust it on a flat ground and tighten up all screws again.
6. Note : If one or some screws are fully tightened during assembly, chances are the others will not be aligned with holes. In addition, all the holes are designed to be relatively larger to provide more space for the adjustment of the screws.

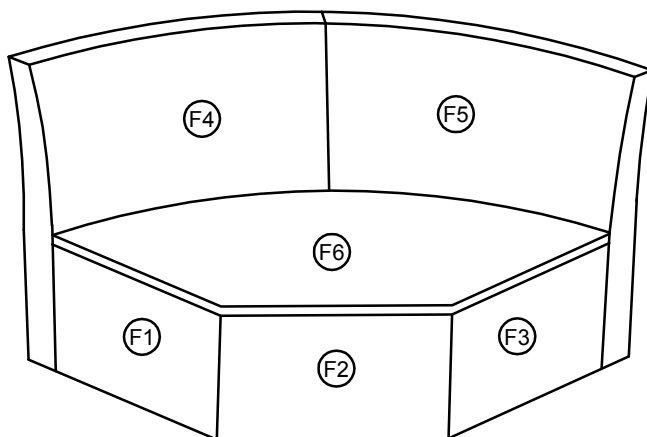
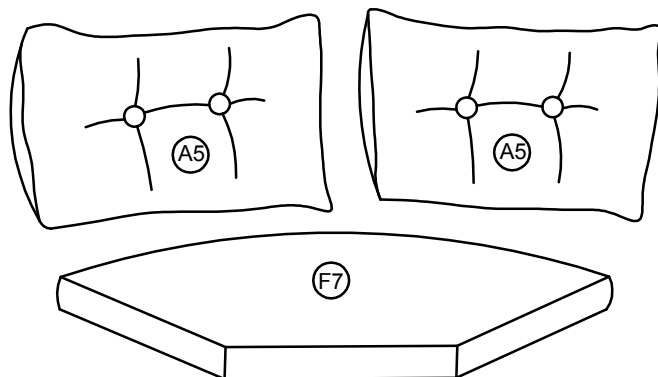




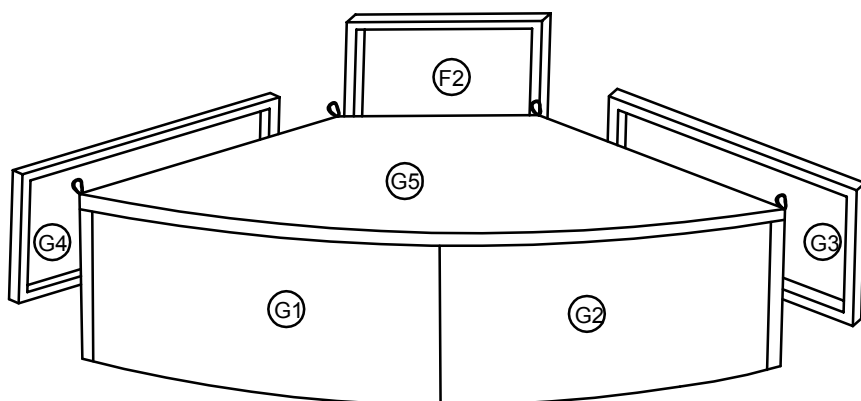
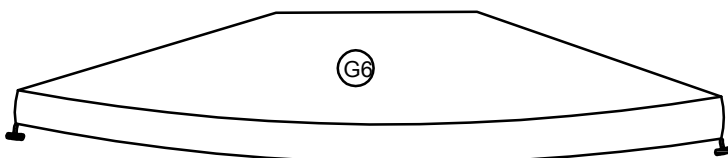
x1



x1

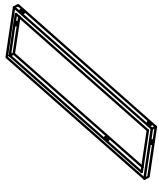


x1

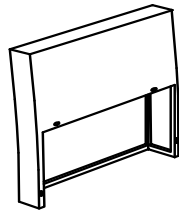


x1

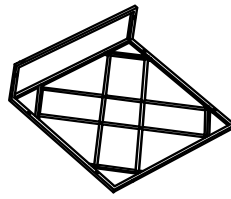
COMPONENTS:



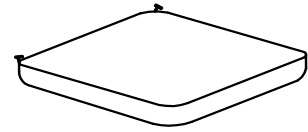
(A1)x4



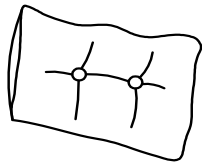
(A2)x2



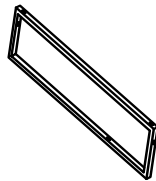
(A3)x2



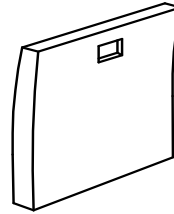
(A4)x4



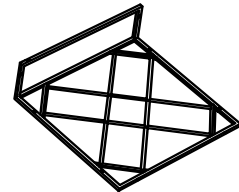
(A5)x8



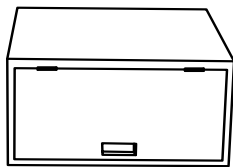
(B1)x4



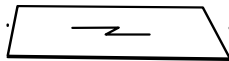
(B2)x2



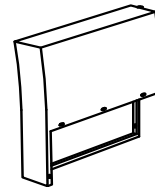
(B3)x2



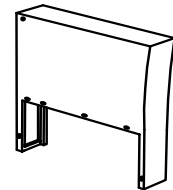
(C1)x1



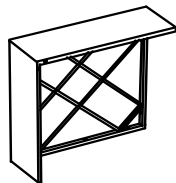
(C2)x1



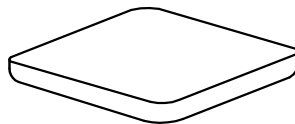
(D1)x1



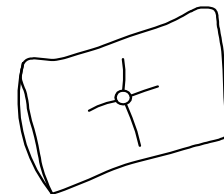
(D2)x1



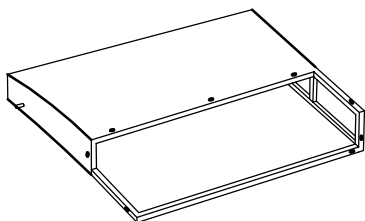
(D3)x2



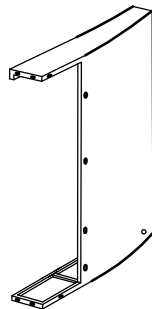
(D4)x2



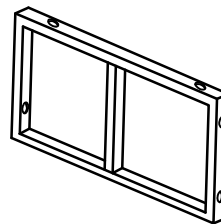
(D5)x2



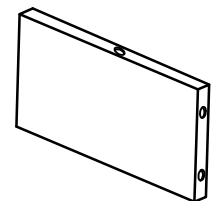
(E1)x1



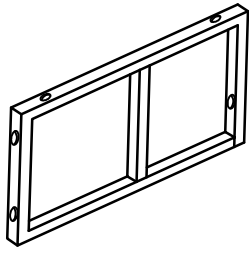
(E2)x1



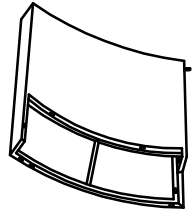
(F1)x1



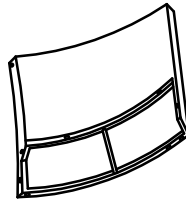
(F2)x2



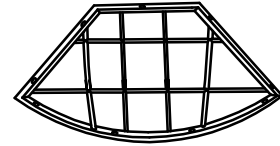
F3 x1



F4 x1



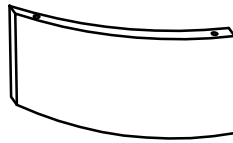
F5 x1



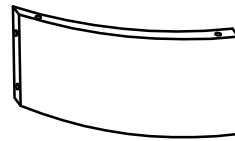
F6 x1



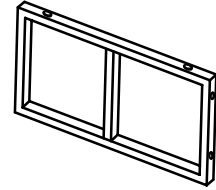
F7 x1



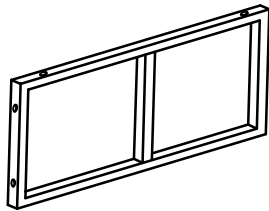
G1 x1



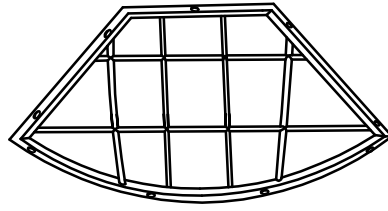
G2 x1



G3 x1



G4 x1



G5 x1



G6 x1

HARDWARE:



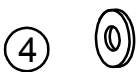
1 Bolt M6x35mm
38pcs + extra 3pcs



2 Bolt M6x30mm
62pcs + extra 3pcs



3 Adjustable M6x35mm
76pcs + extra 3pcs



4 Washer M6x16x1mm
100pcs + extra 5pcs



5 Foot
24pcs + extra 1pc



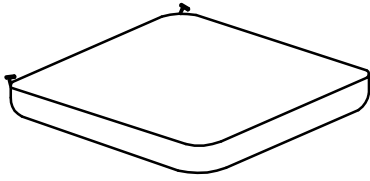
6 Foot
14pcs + extra 1pc



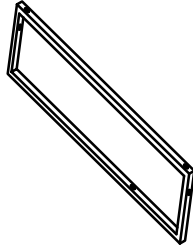
7 Allenkey = 3 pcs

CARTON CONTENT:

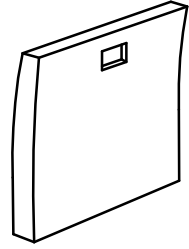
WF316584



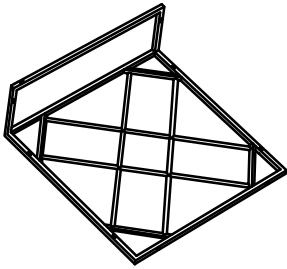
(A4)x2



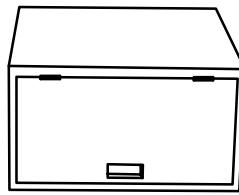
(B1)x4



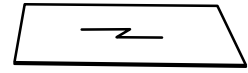
(B2)x2



(B3)x2

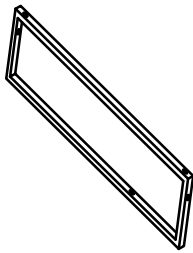


(C1)x1

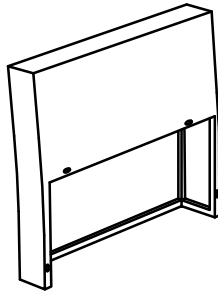


(C2)x1

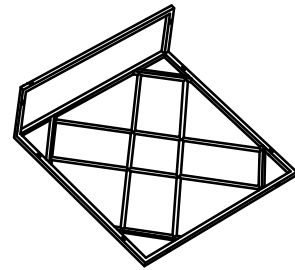
WF316585



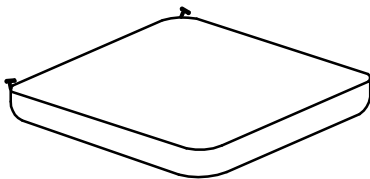
(A1)x4



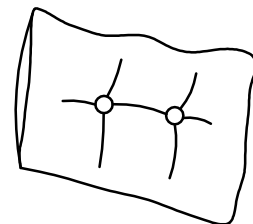
(A2)x2



(A3)x2

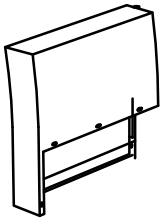


(A4)x2

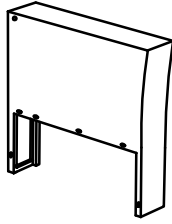


(A5)x2

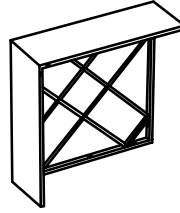
WF316586



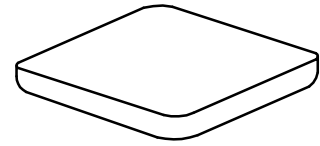
(D1)x1



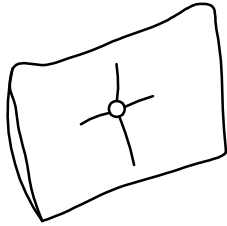
(D2)x1



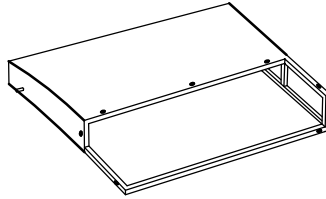
(D3)x2



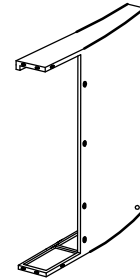
(D4)x2



(D5)x2

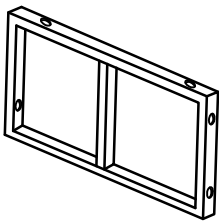


(E1)x1

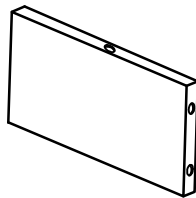


(E2)x1

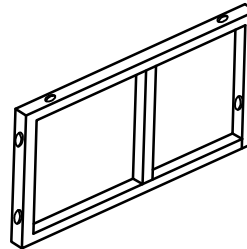
WF316587



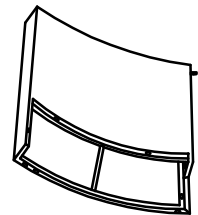
(F1)x1



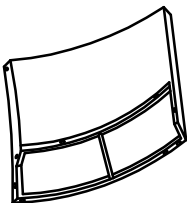
(F2)x2



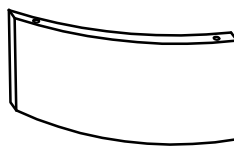
(F3)x1



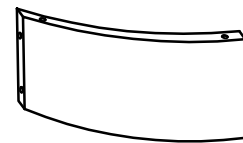
(F4)x1



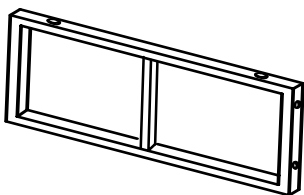
(F5)x1



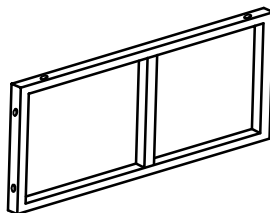
(G1)x1



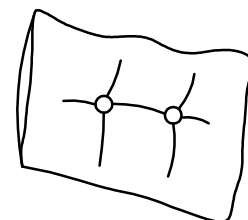
(G2)x1



(G3)x1

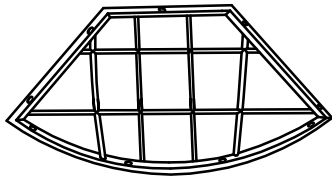


(G4)x1



(A5)x6

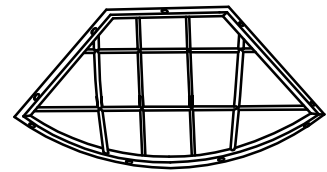
WF316588



(F6)x1



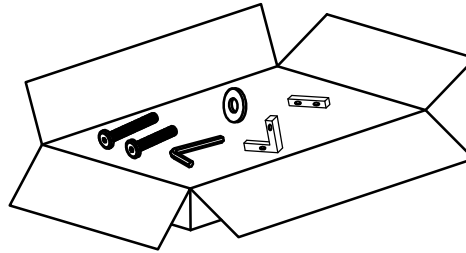
(F7)x1



(G5)x1

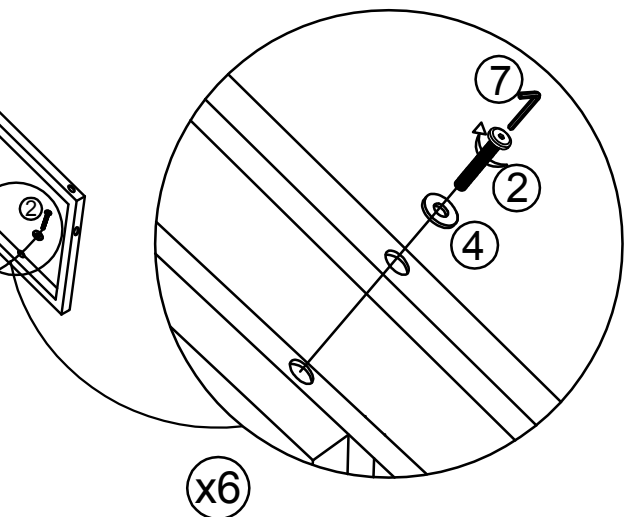
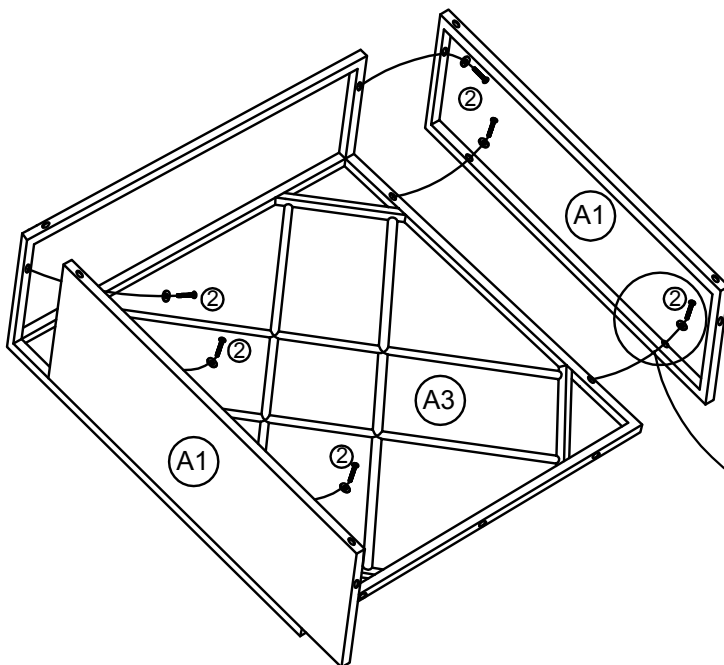
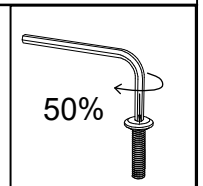


(G6)x1



AI INCLUDED BOX-WF316588

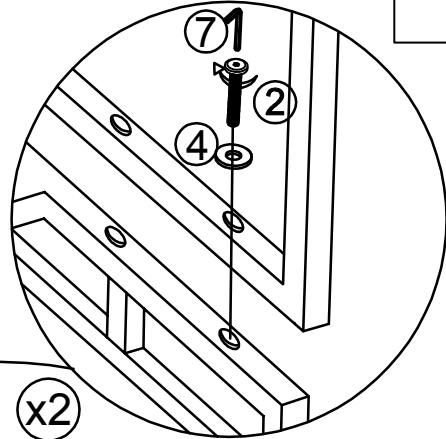
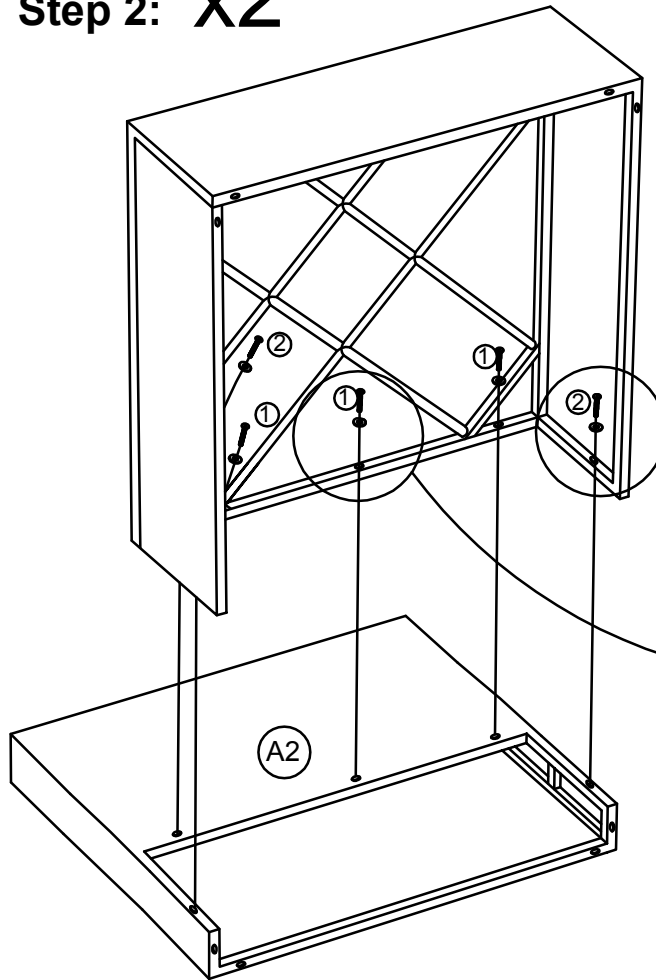
Step 1: x2



(2)x6 (4)x6 (A1)x2 (A3)x1

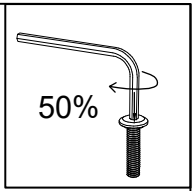
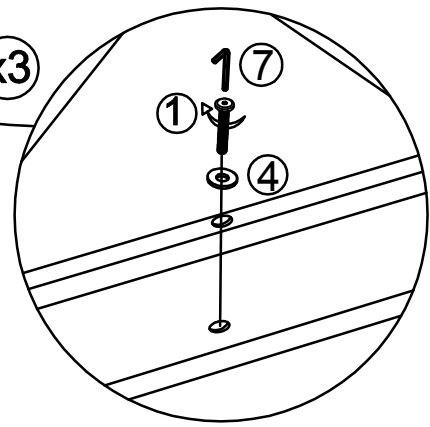
09 / 25

Step 2: X2



x2

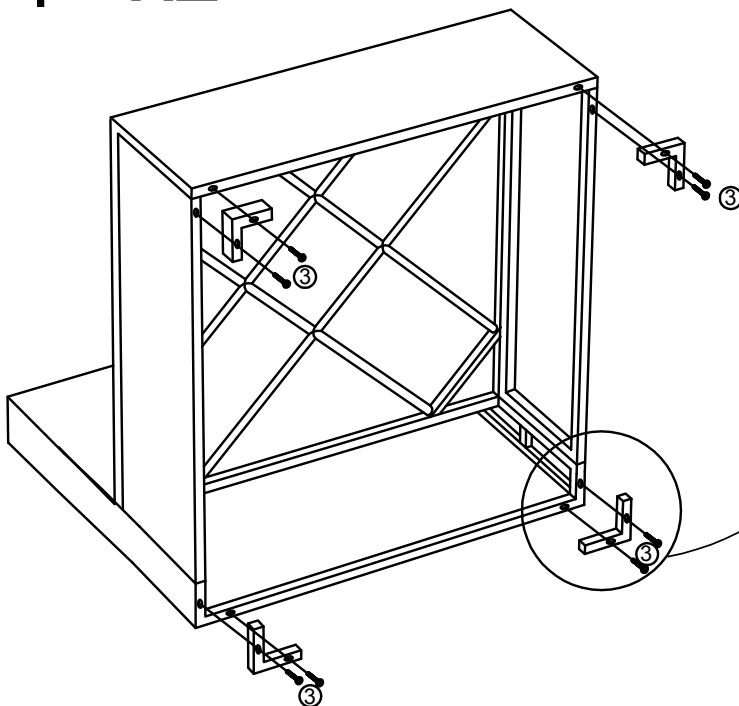
x3



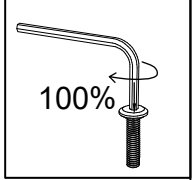
50%

- ①x3
- ②x2
- ④x5
- ④A2x1

Step 3: X2



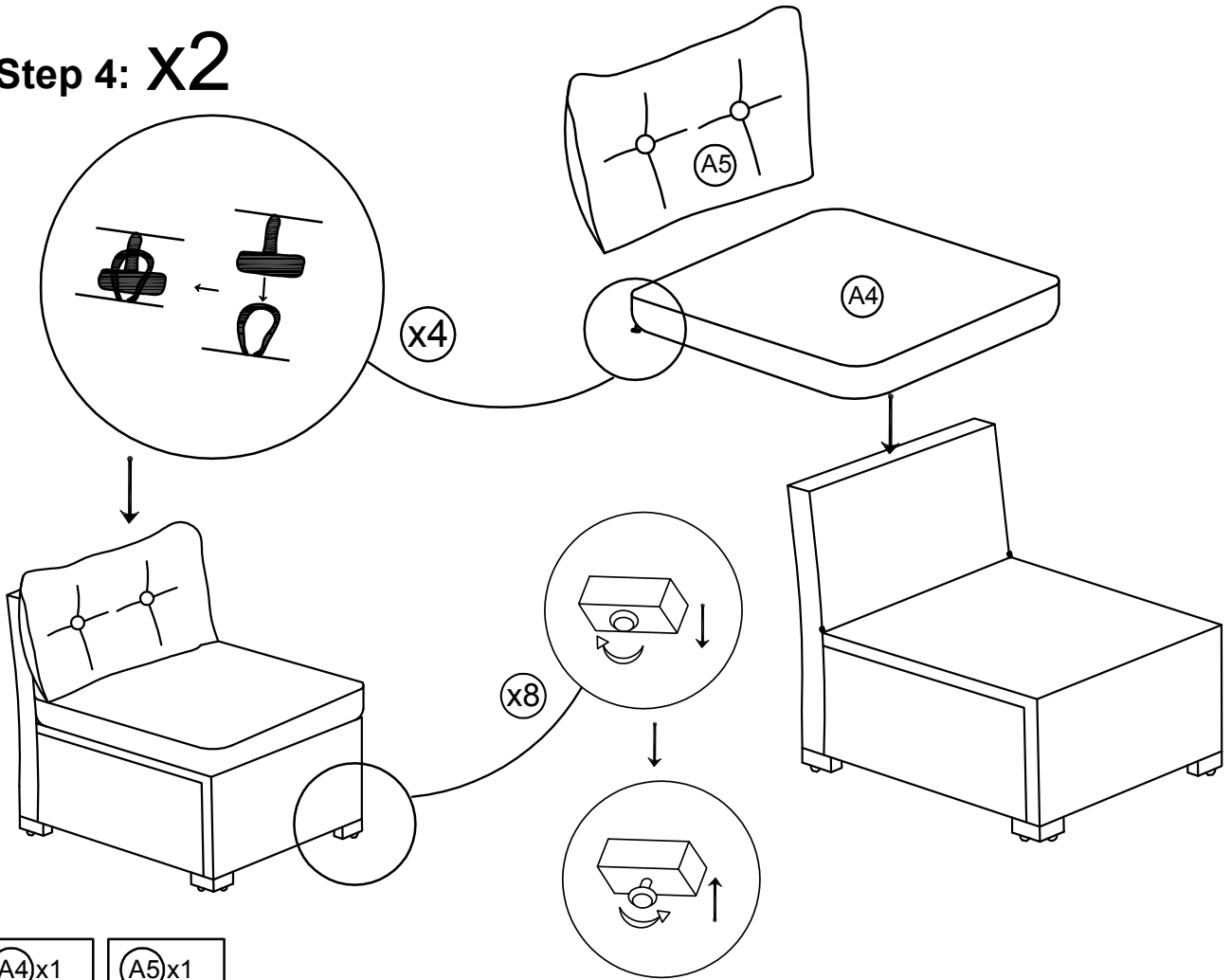
x4



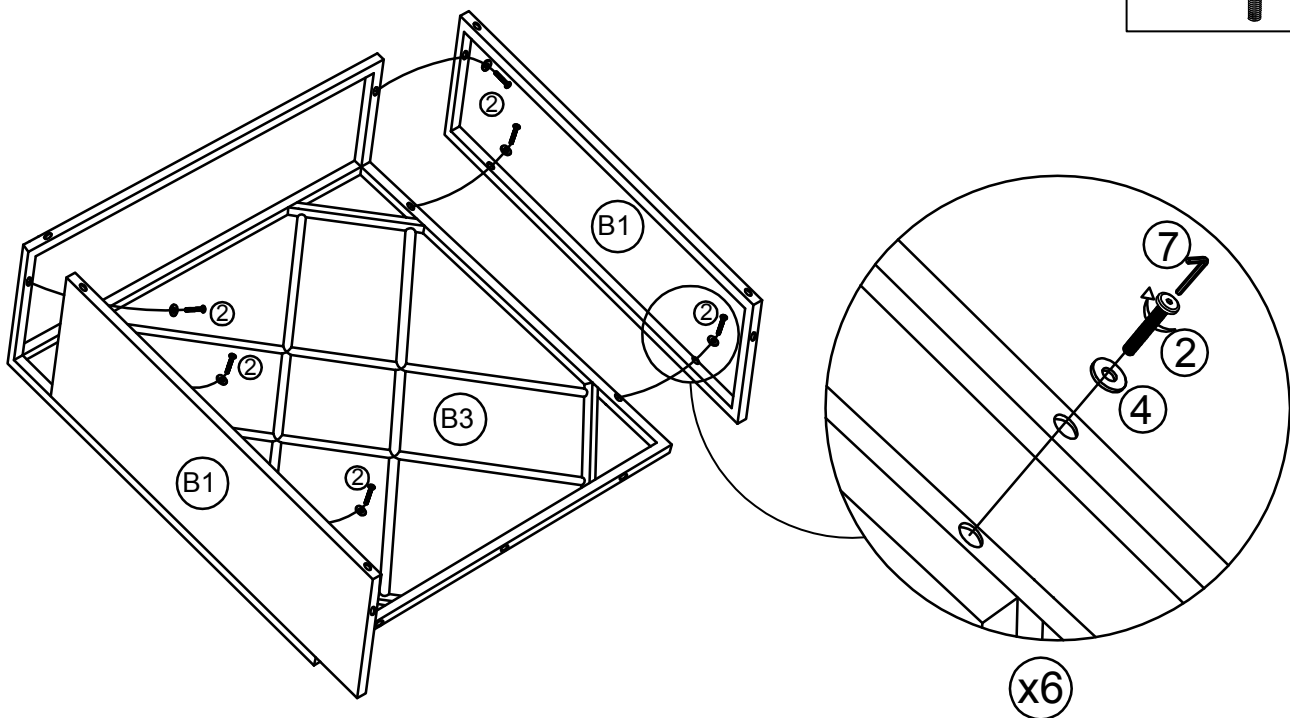
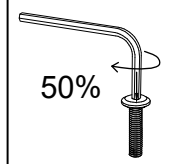
100%

- ③x8
- ⑤x4

Step 4: X2

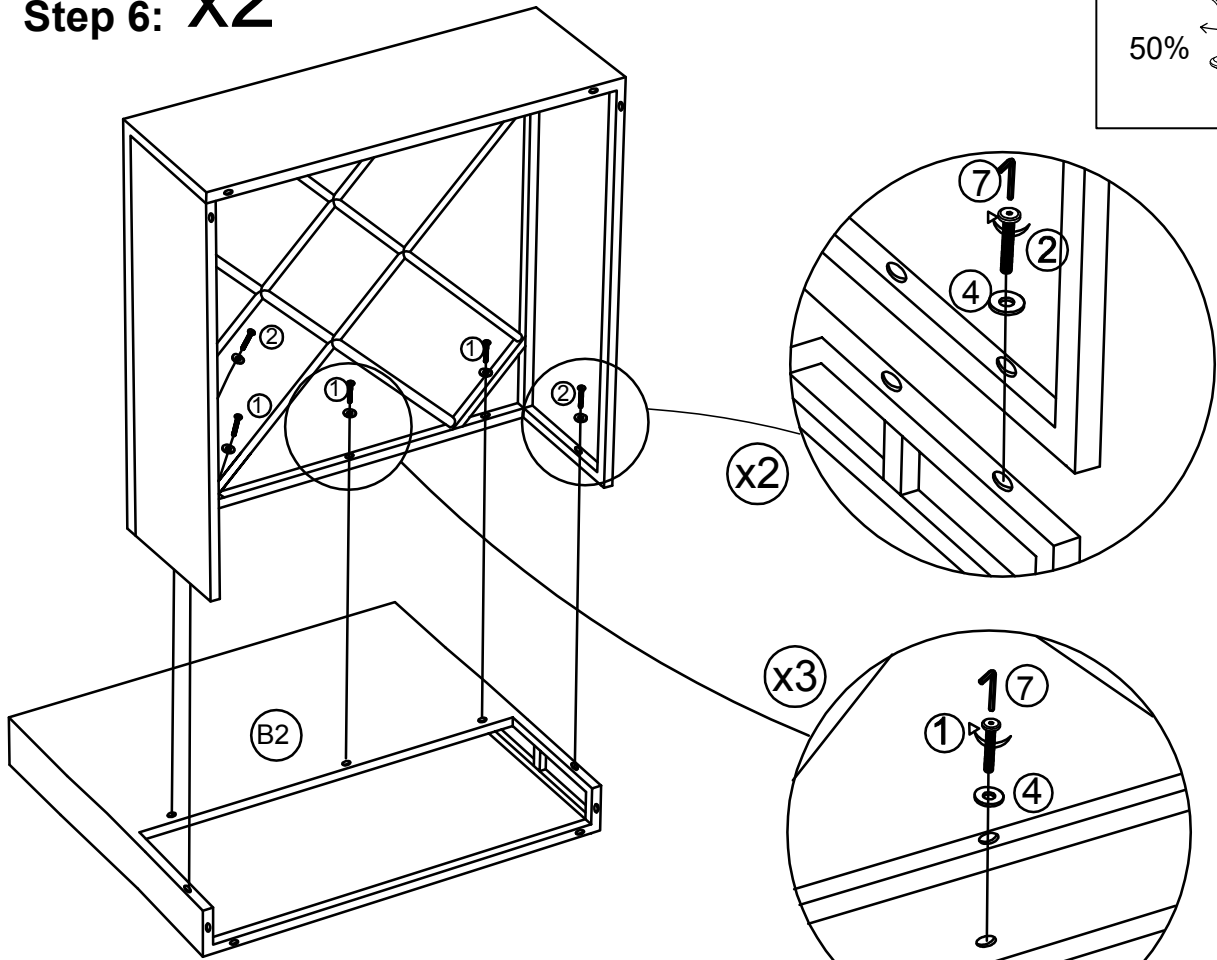
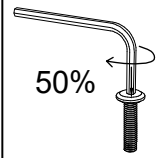


Step 5: X2



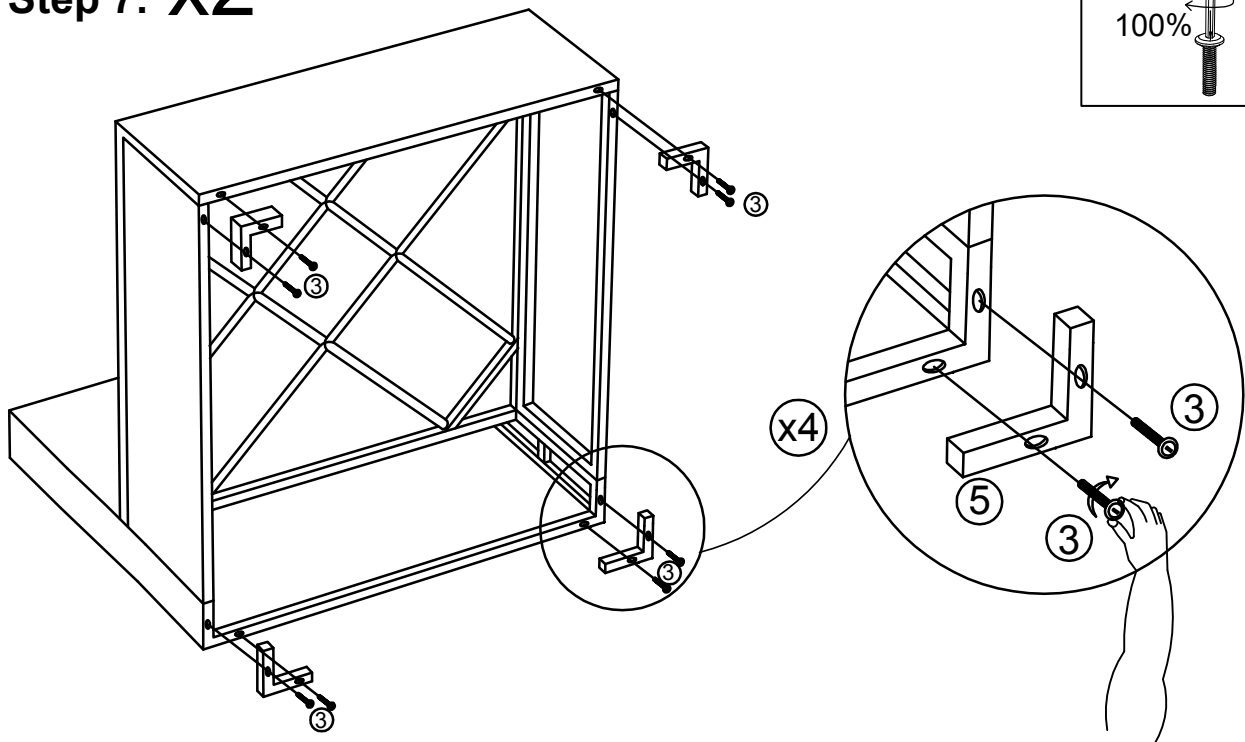
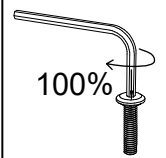
- 2x6
- 4x6
- B1x2
- B3x1

Step 6: X2



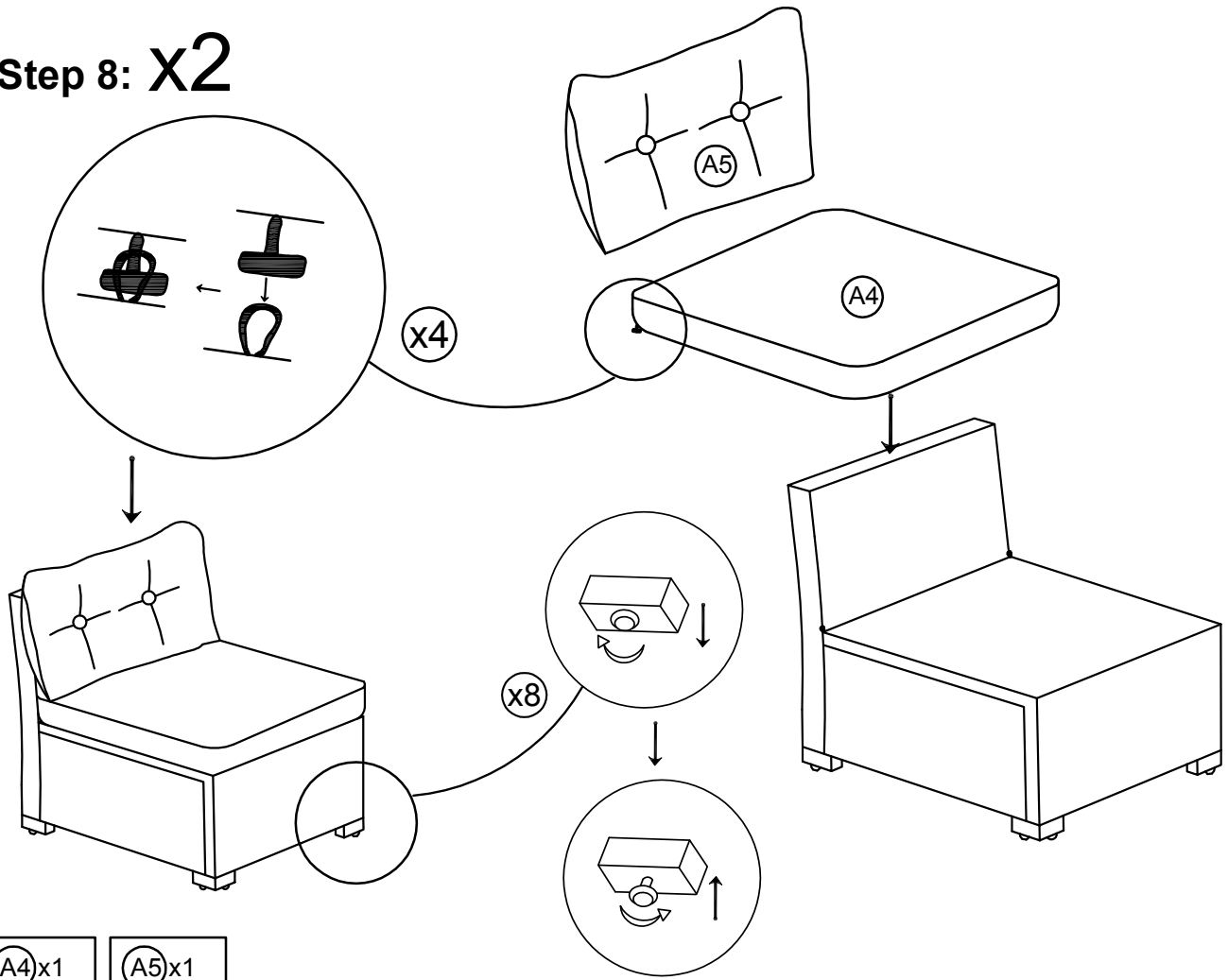
- ①x3
- ②x2
- ④x5
- ⑧x1

Step 7: X2



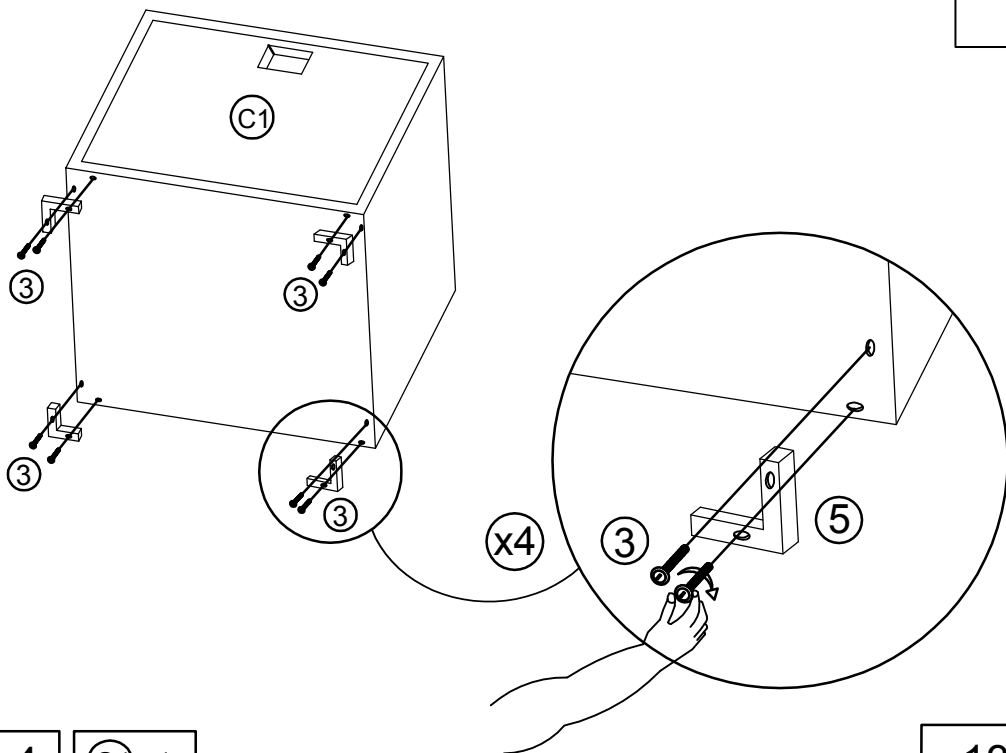
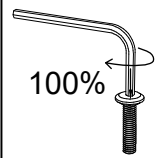
- ③x8
- ⑤x4

Step 8: X2



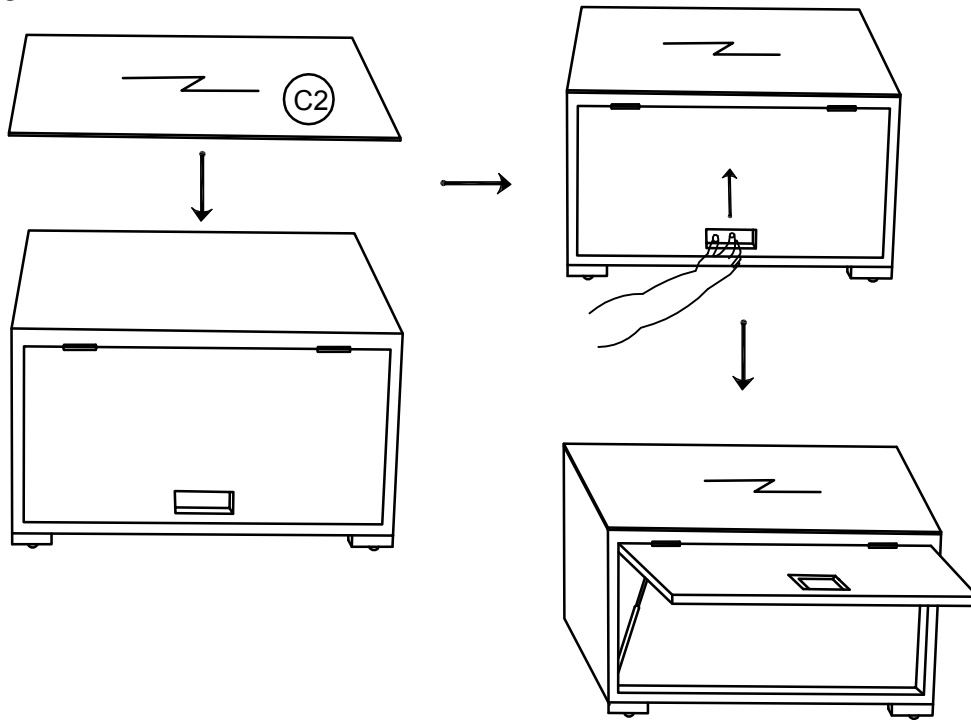
(A4)x1 (A5)x1

Step 9:



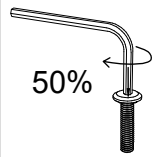
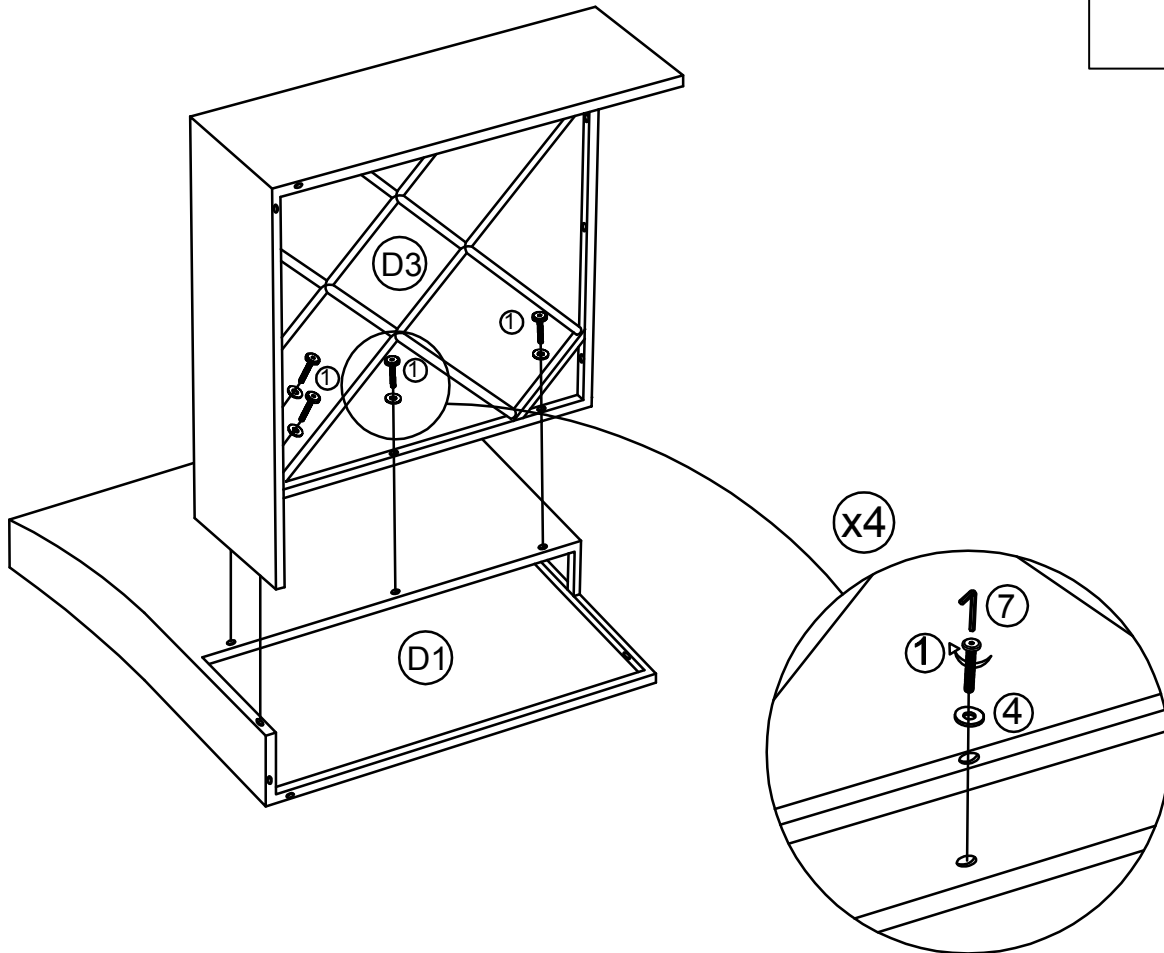
(3)x8 (5)x4 (C1)x1

Step 10:



C2x1

Step 11:



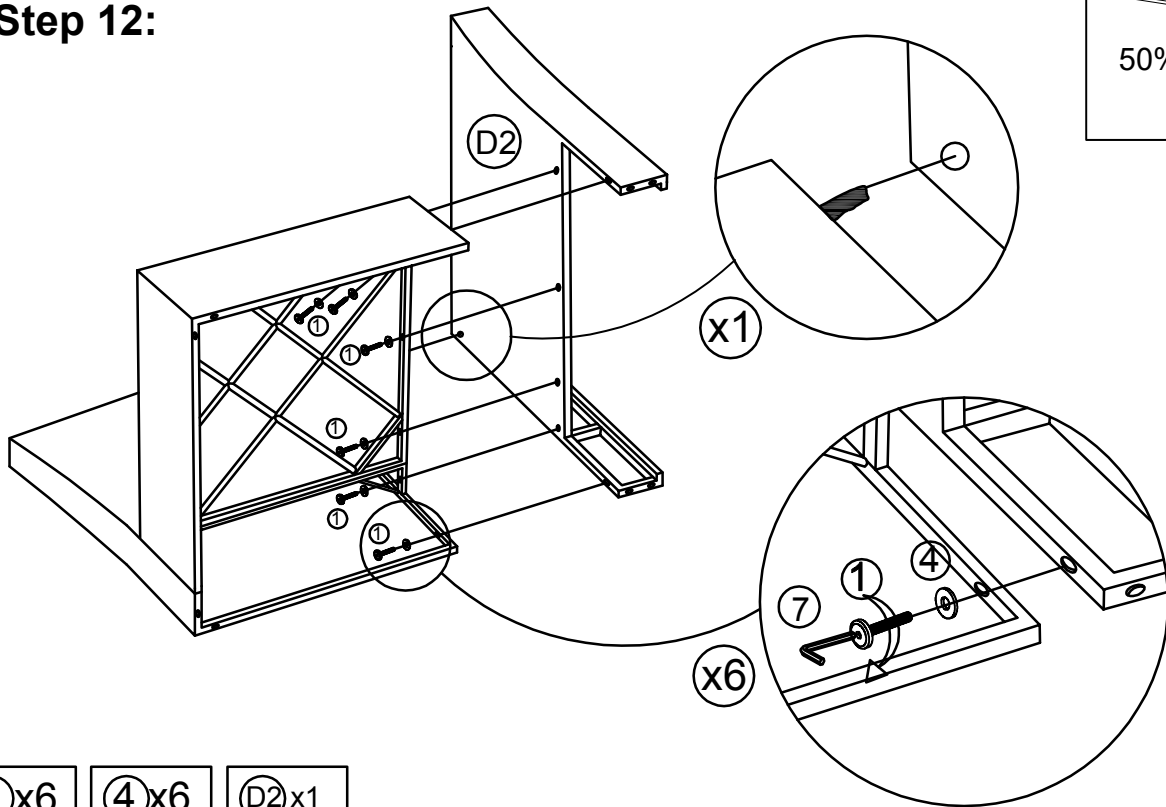
①x4

④x4

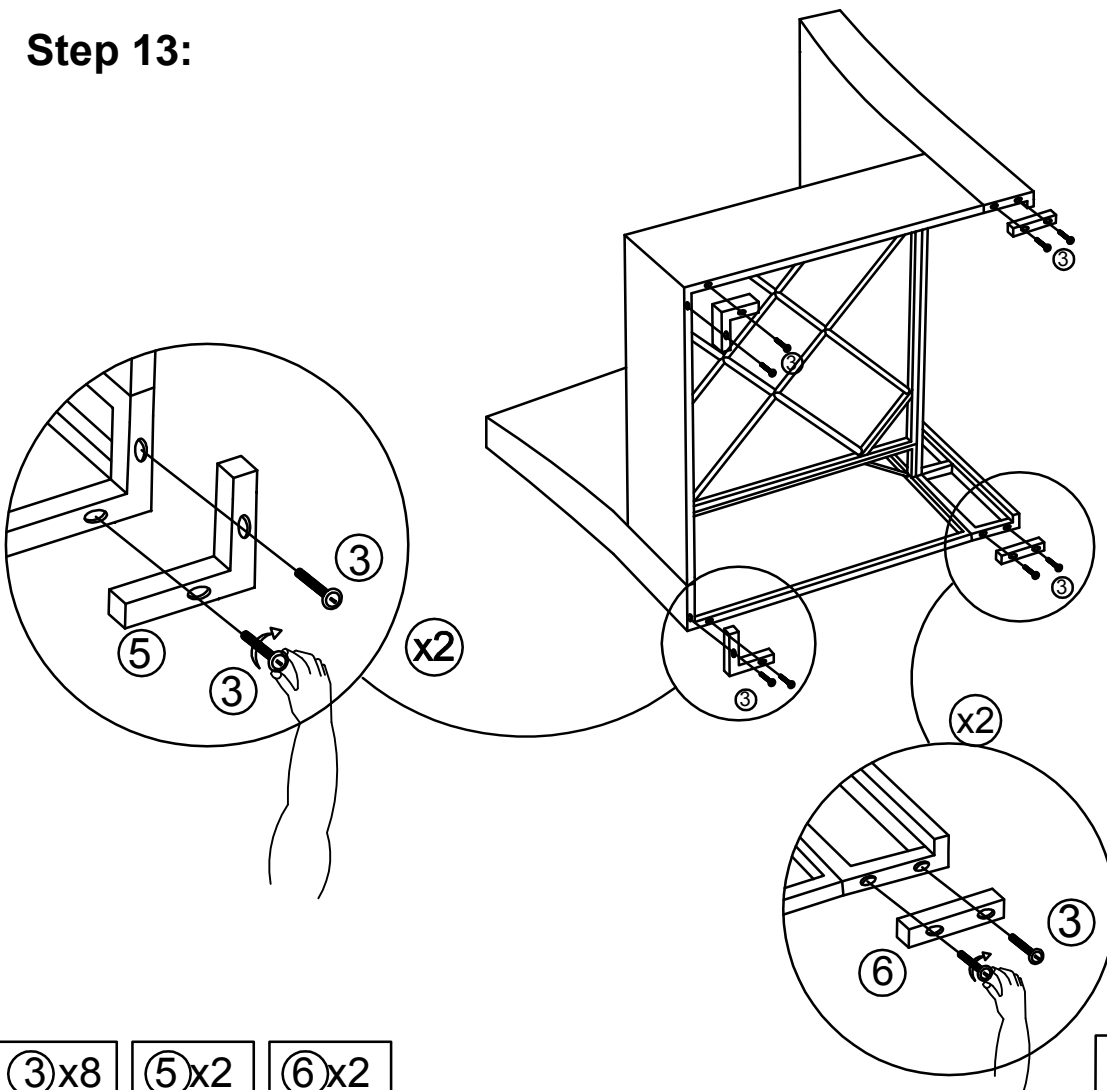
①x1

③x1

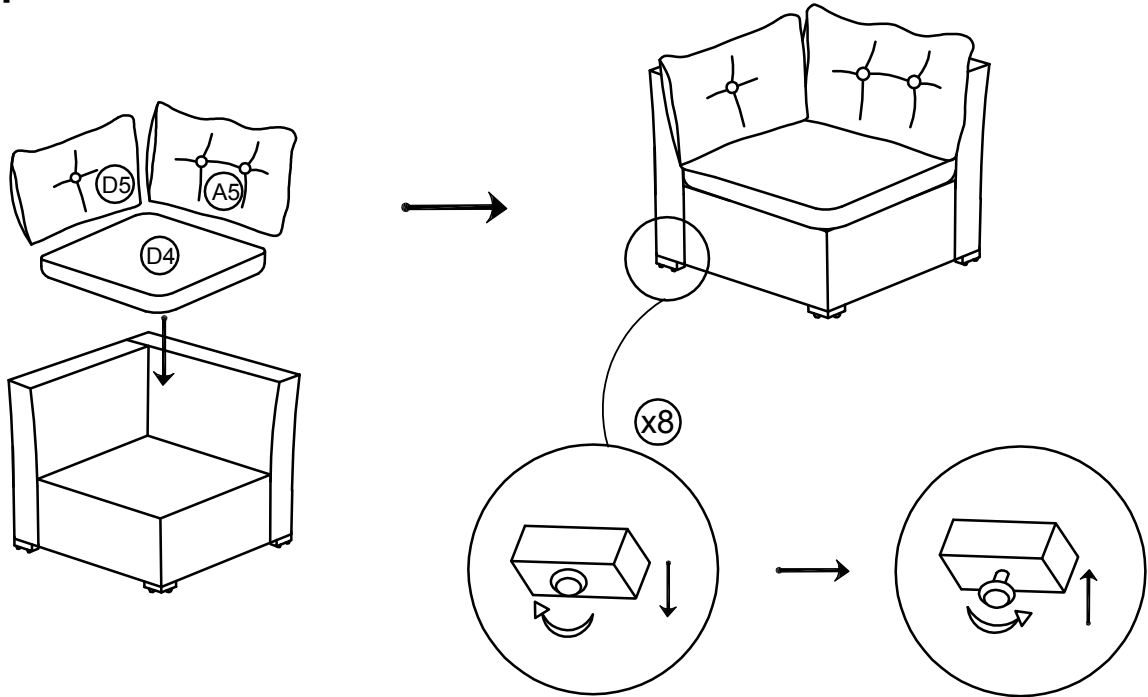
Step 12:



Step 13:

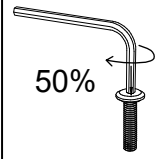
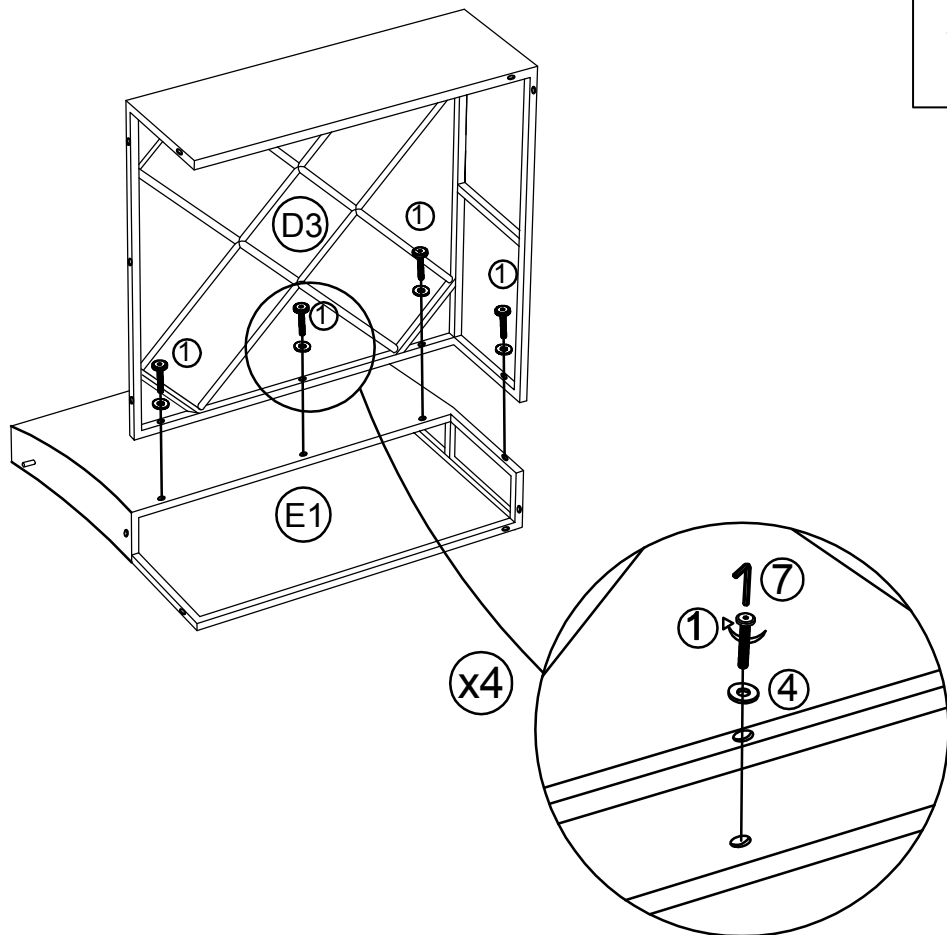


Step 14:



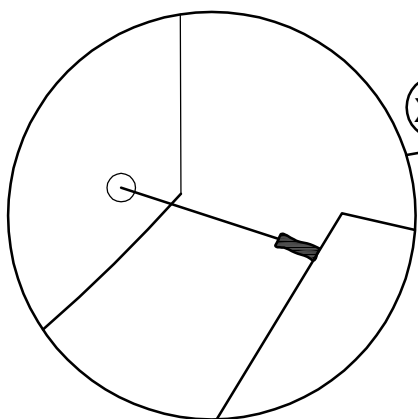
- (A5)x1
- (D4)x1
- (D5)x1

Step 15:

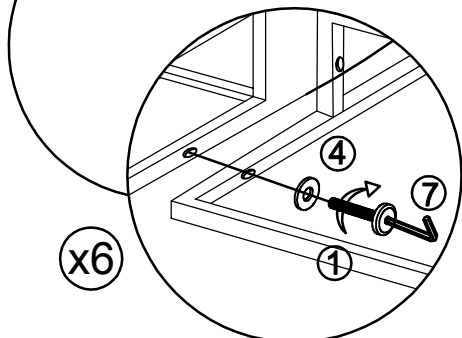
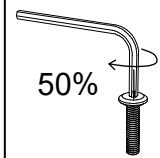
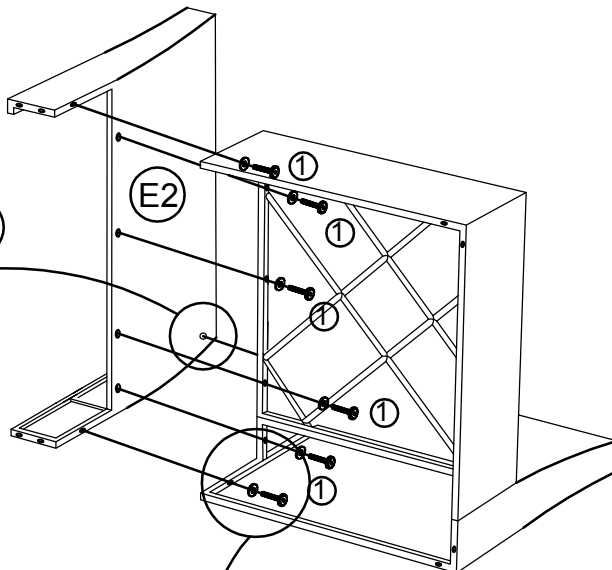


- (1)x4
- (4)x4
- (E1)x1
- (D3)x1

Step 16:



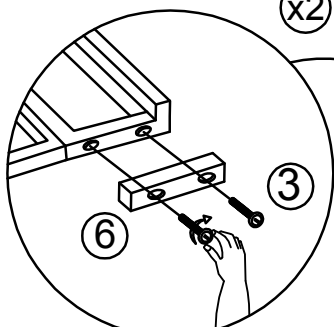
x1



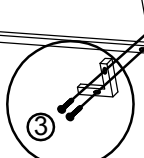
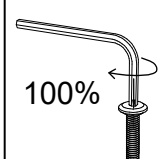
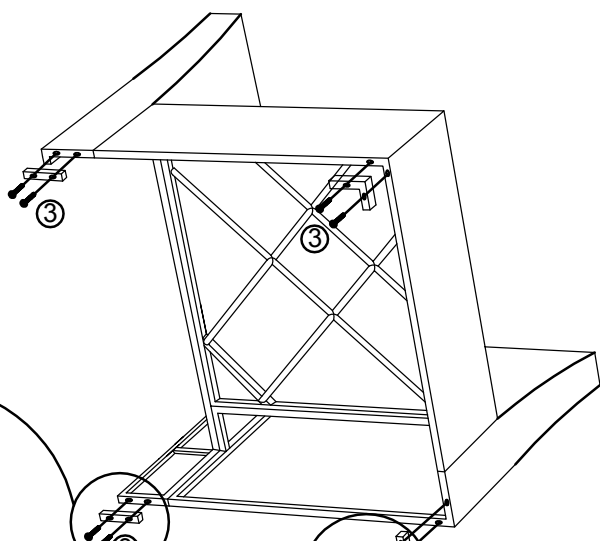
x6

- ①x6
- ④x6
- ②E2x1

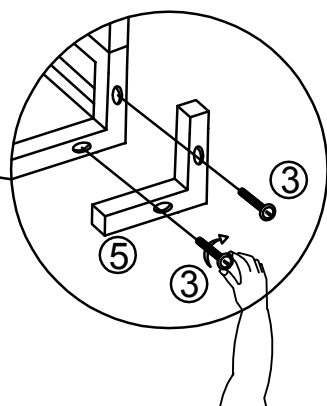
Step 17:



x2

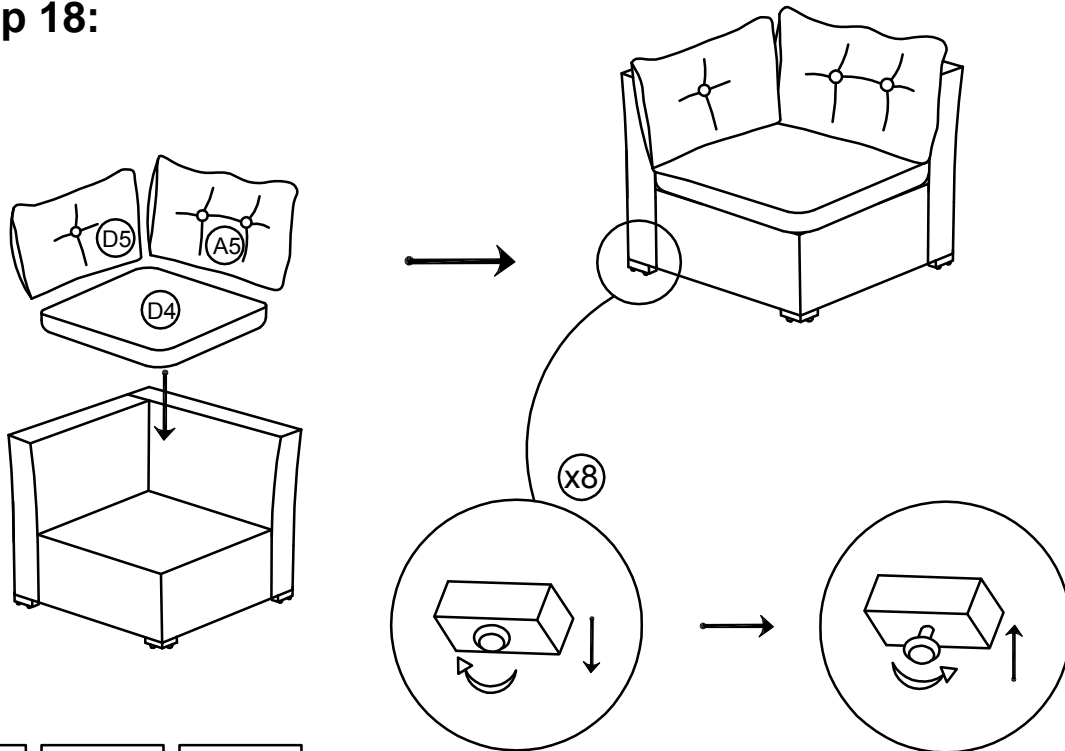


x2



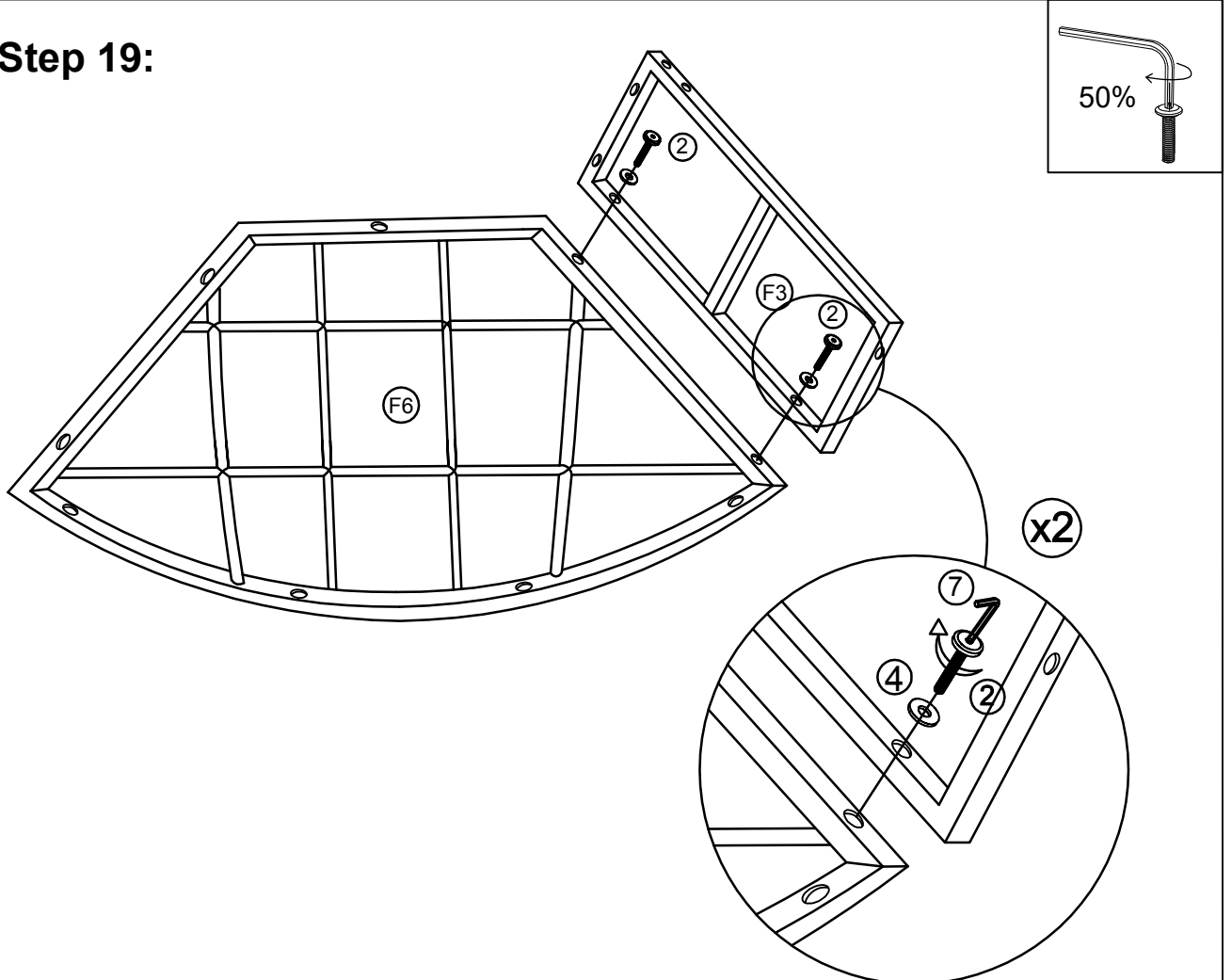
- ③x8
- ⑤x2
- ⑥x2

Step 18:



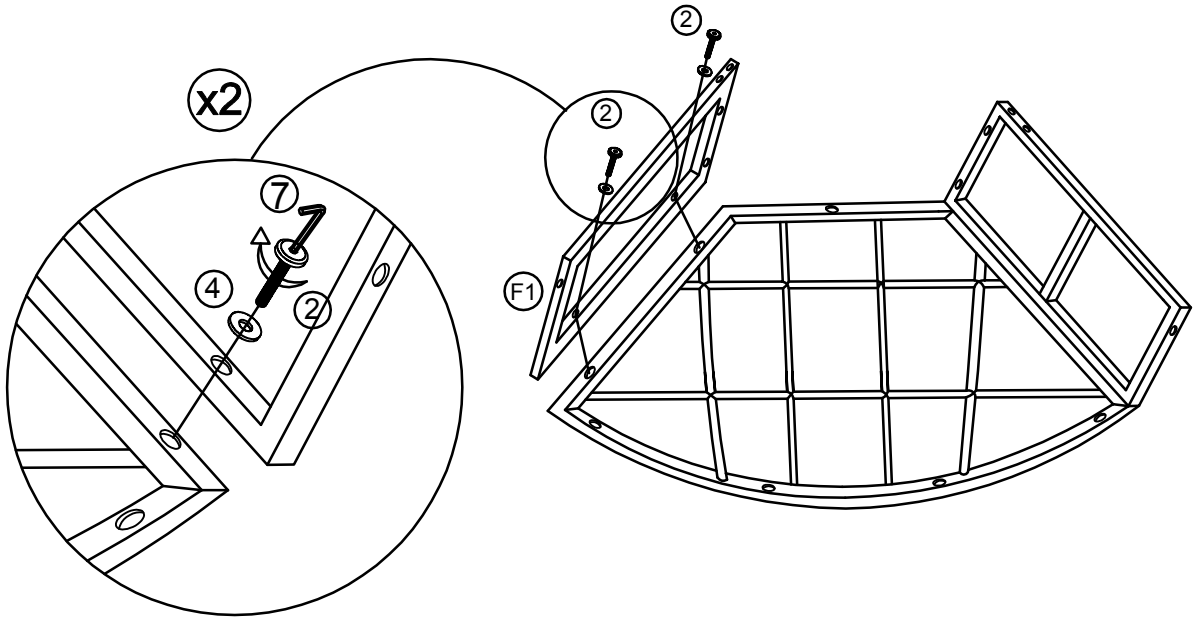
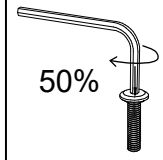
- (A5)x1
- (D4)x1
- (D5)x1

Step 19:



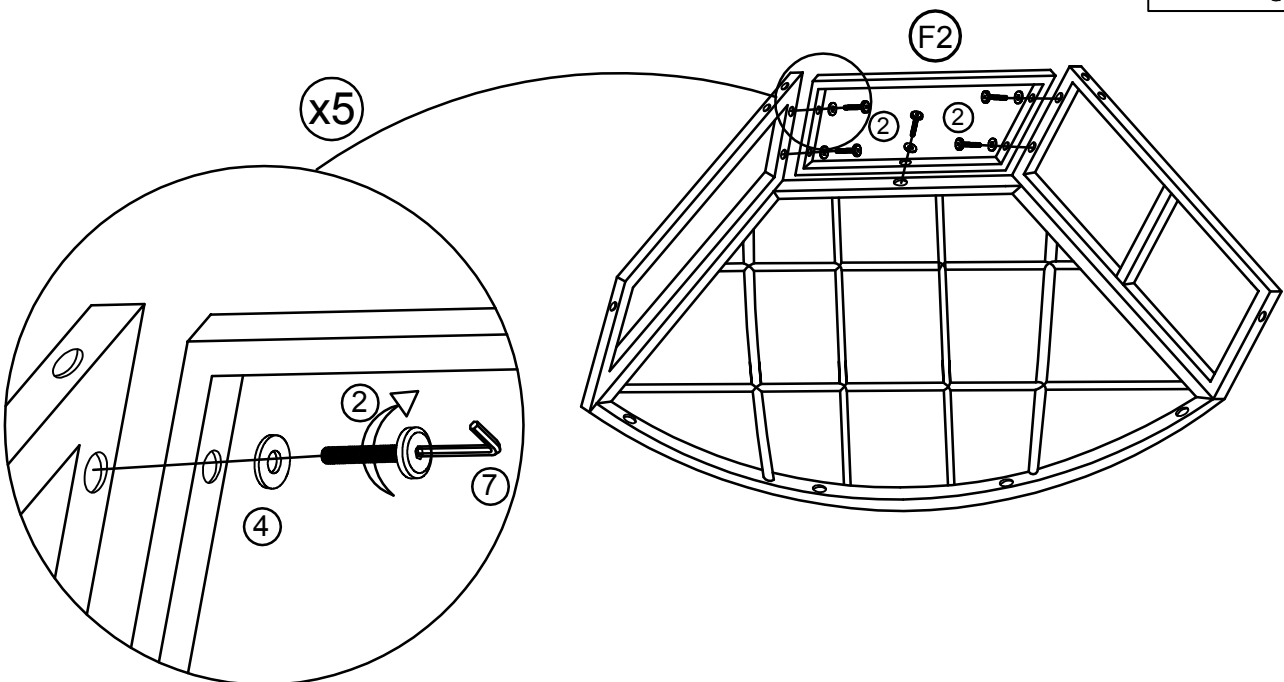
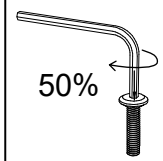
- (2)x2
- (4)x2
- (F3)x1
- (F6)x1

Step 20:



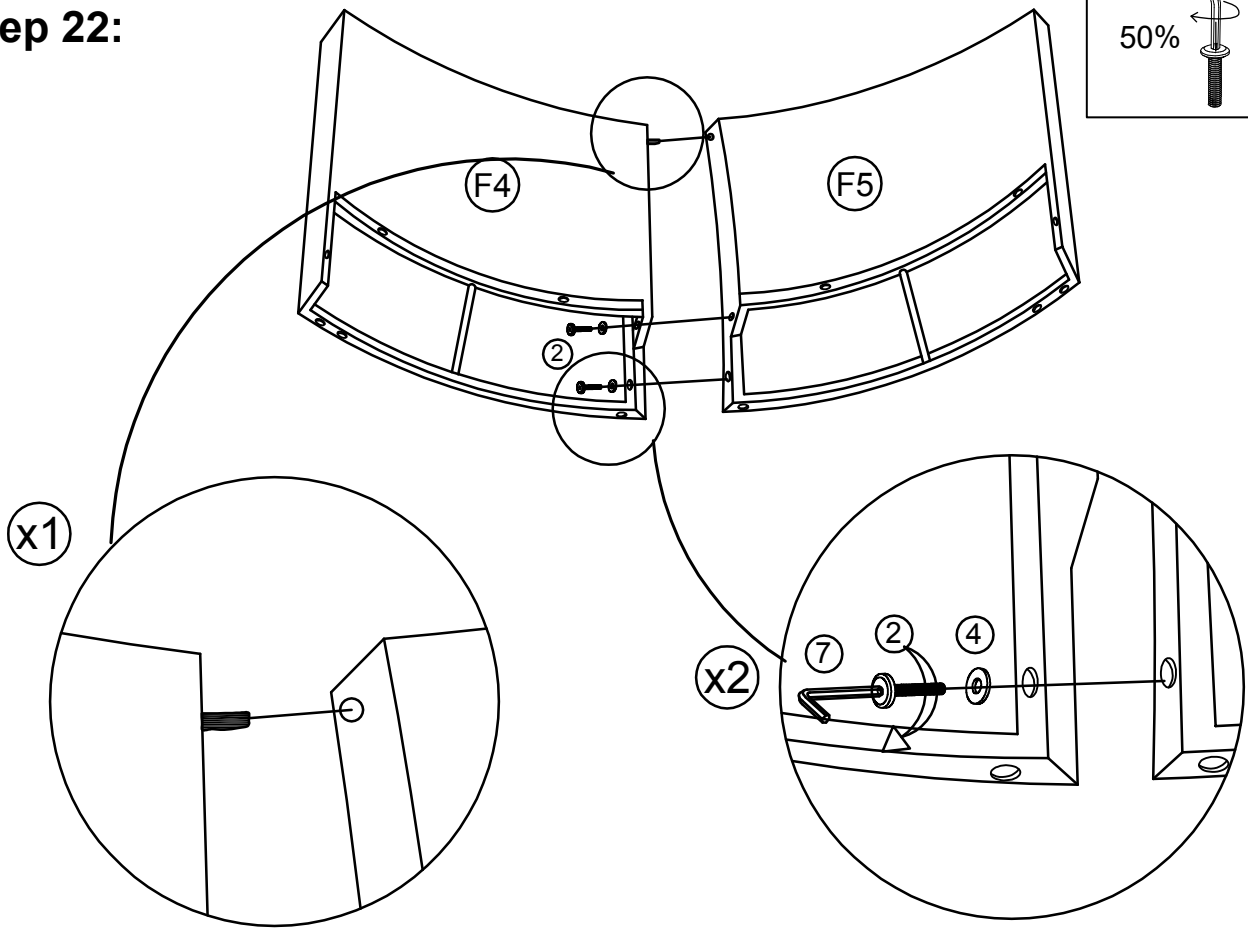
②x2 ④x2 ⑦x1

Step 21:



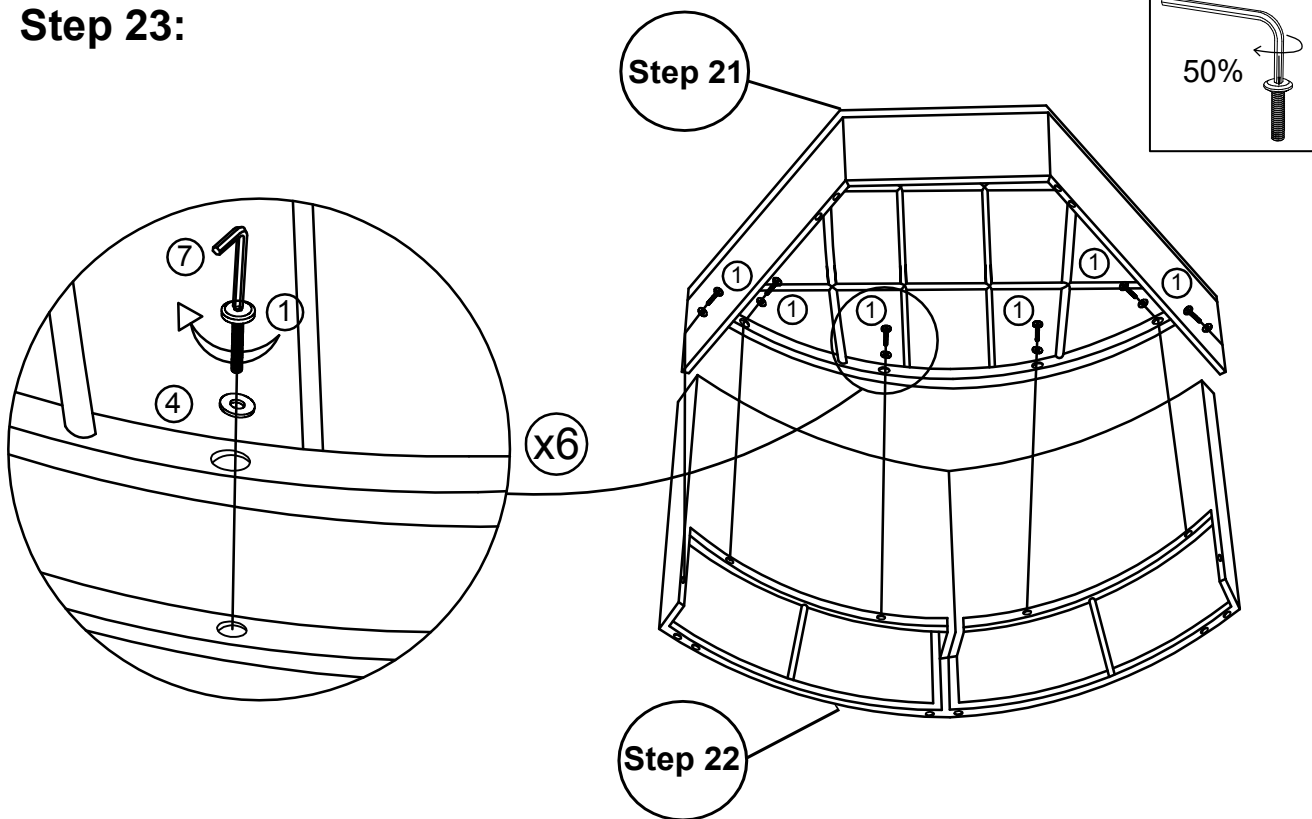
②x5 ④x5 ⑦x1

Step 22:



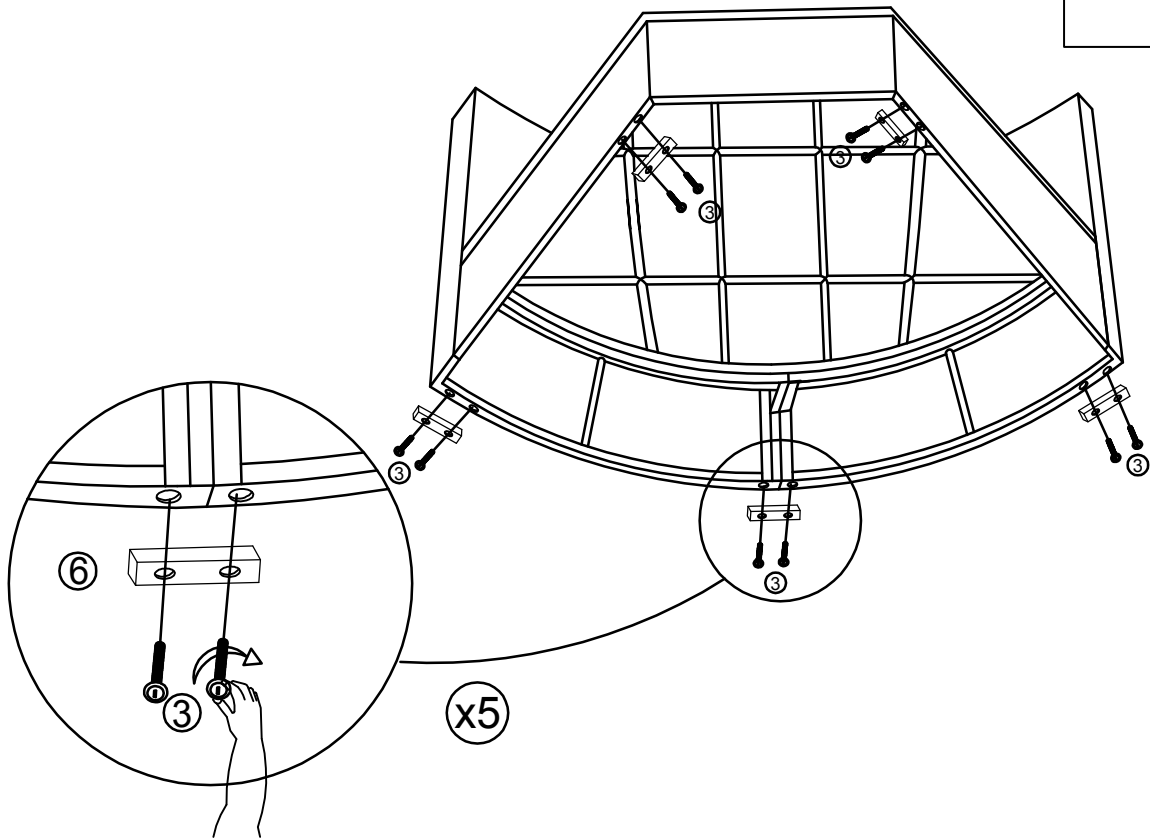
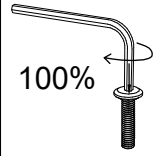
- ②x2
- ④x2
- ⓕ4x1
- ⓕ5x1

Step 23:



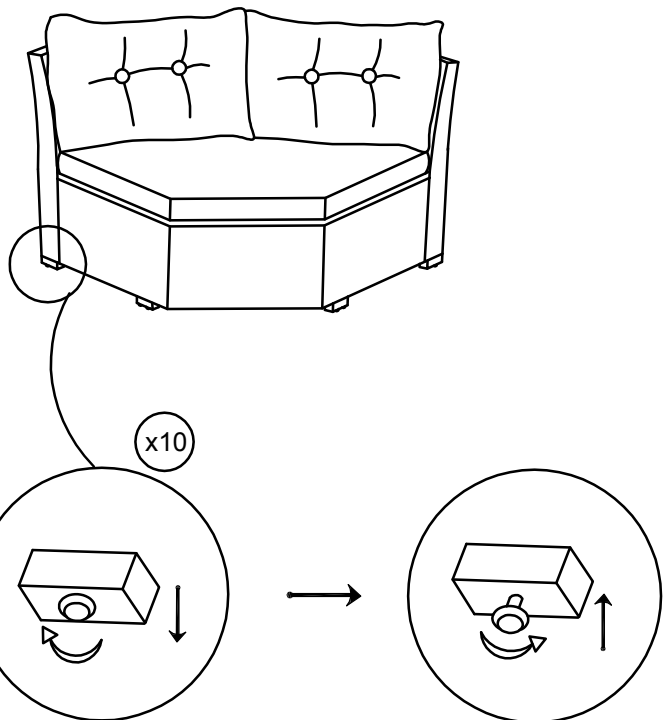
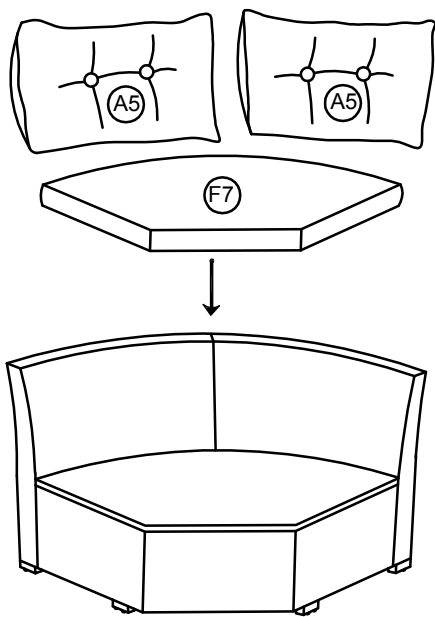
- ①x6
- ④x6

Step 24:



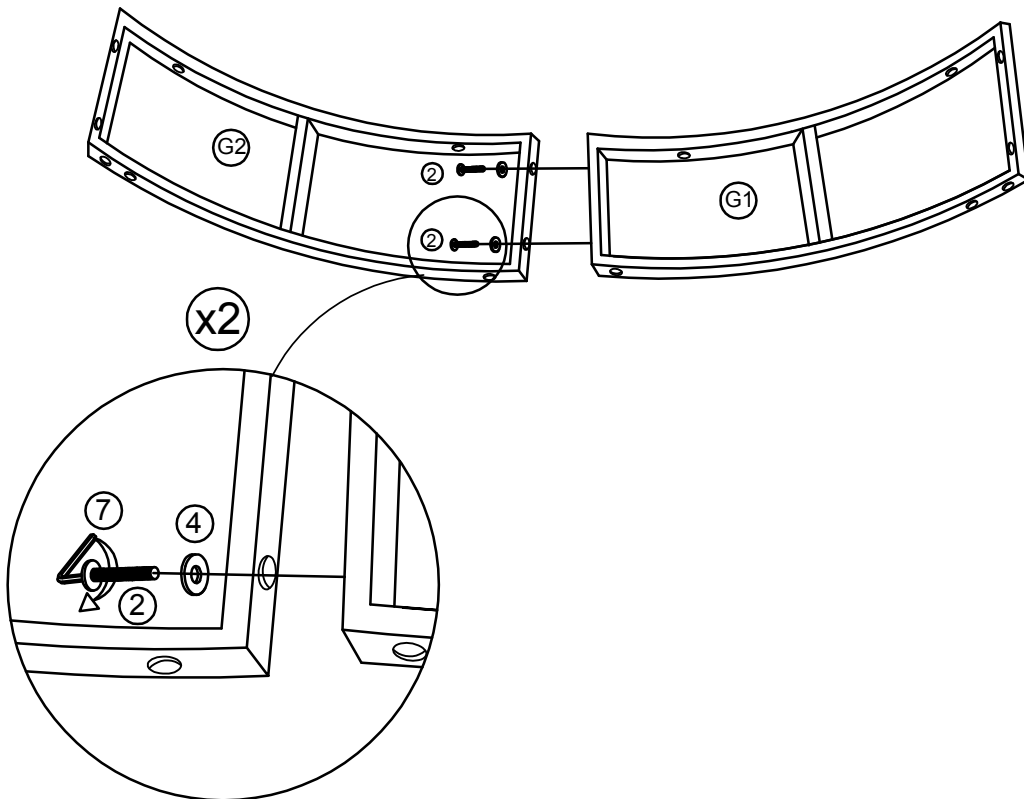
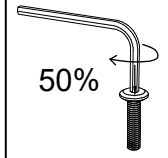
③x10 ⑥x5

Step 25:



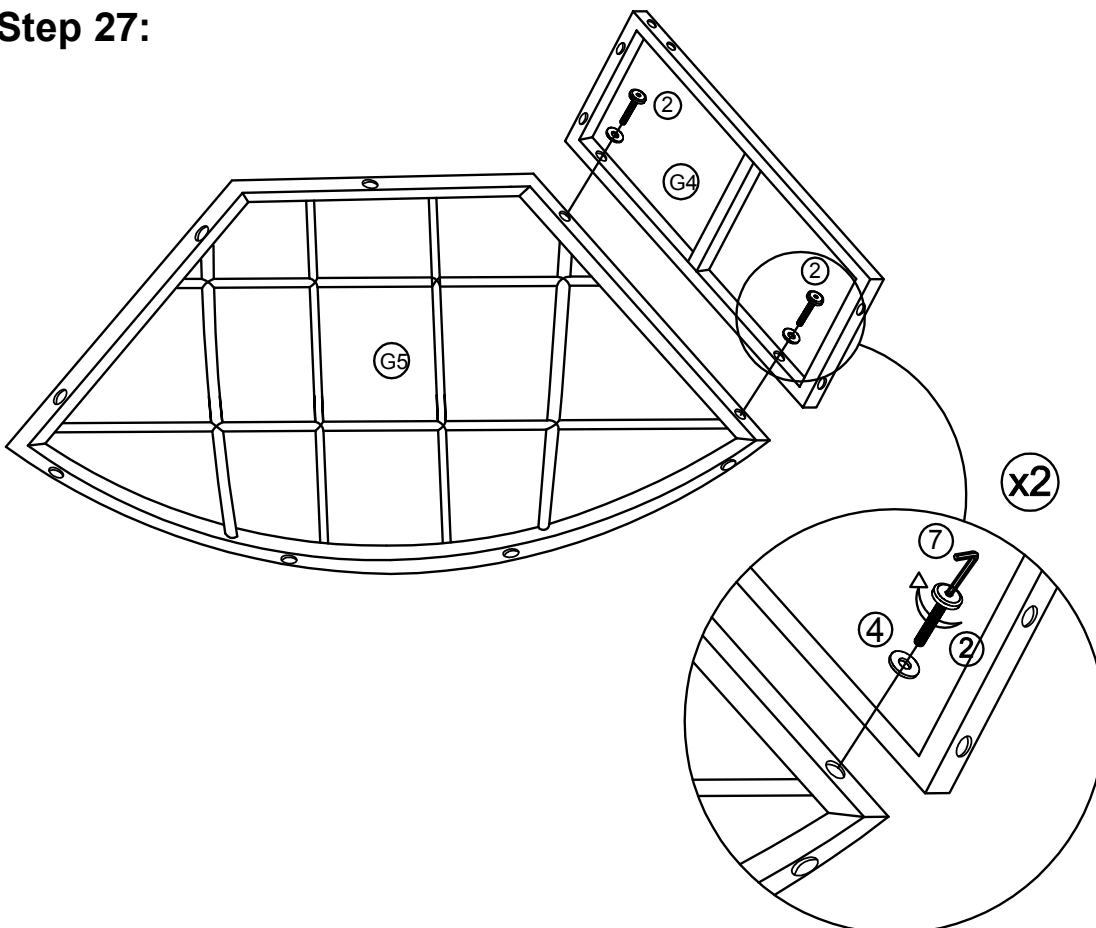
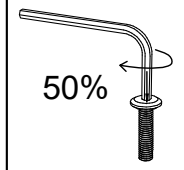
①A5x2 ①F7x1

Step 26:



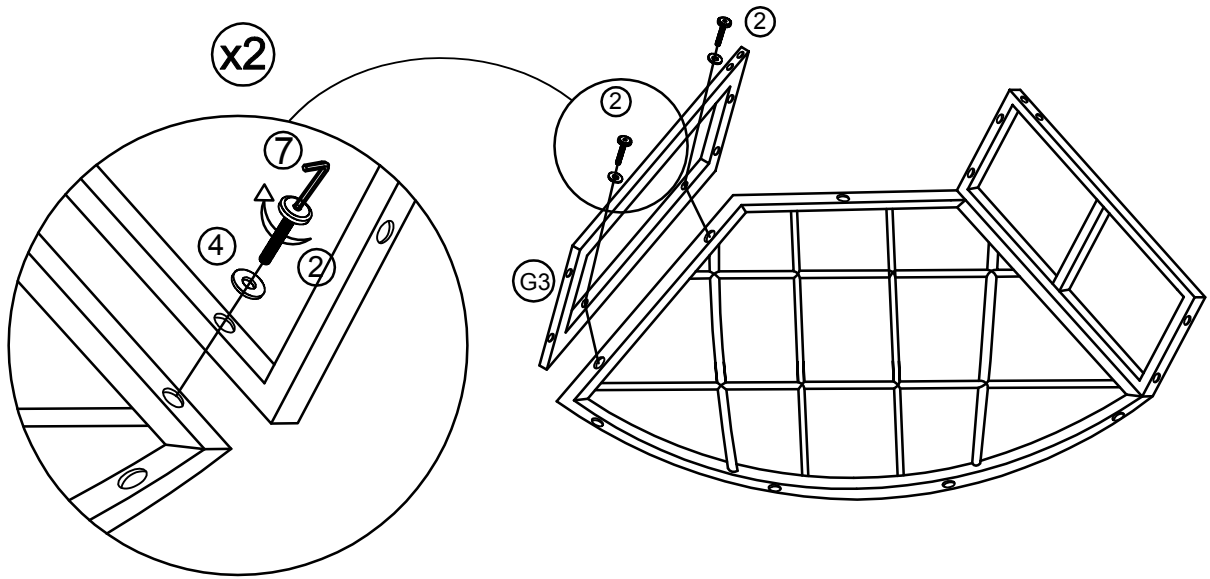
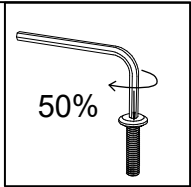
- ②x2
- ④x2
- ⓖ1x1
- ⓖ2x1

Step 27:



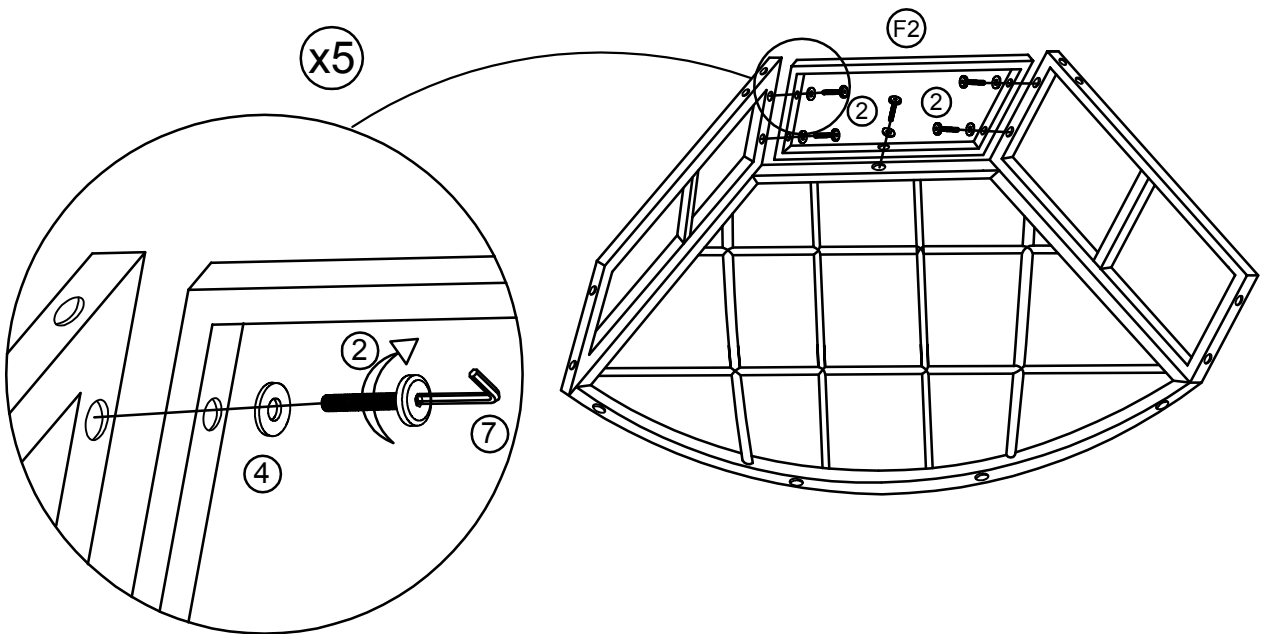
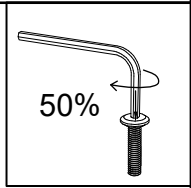
- ②x2
- ④x2
- ⓖ4x1
- ⓖ5x1

Step 28:



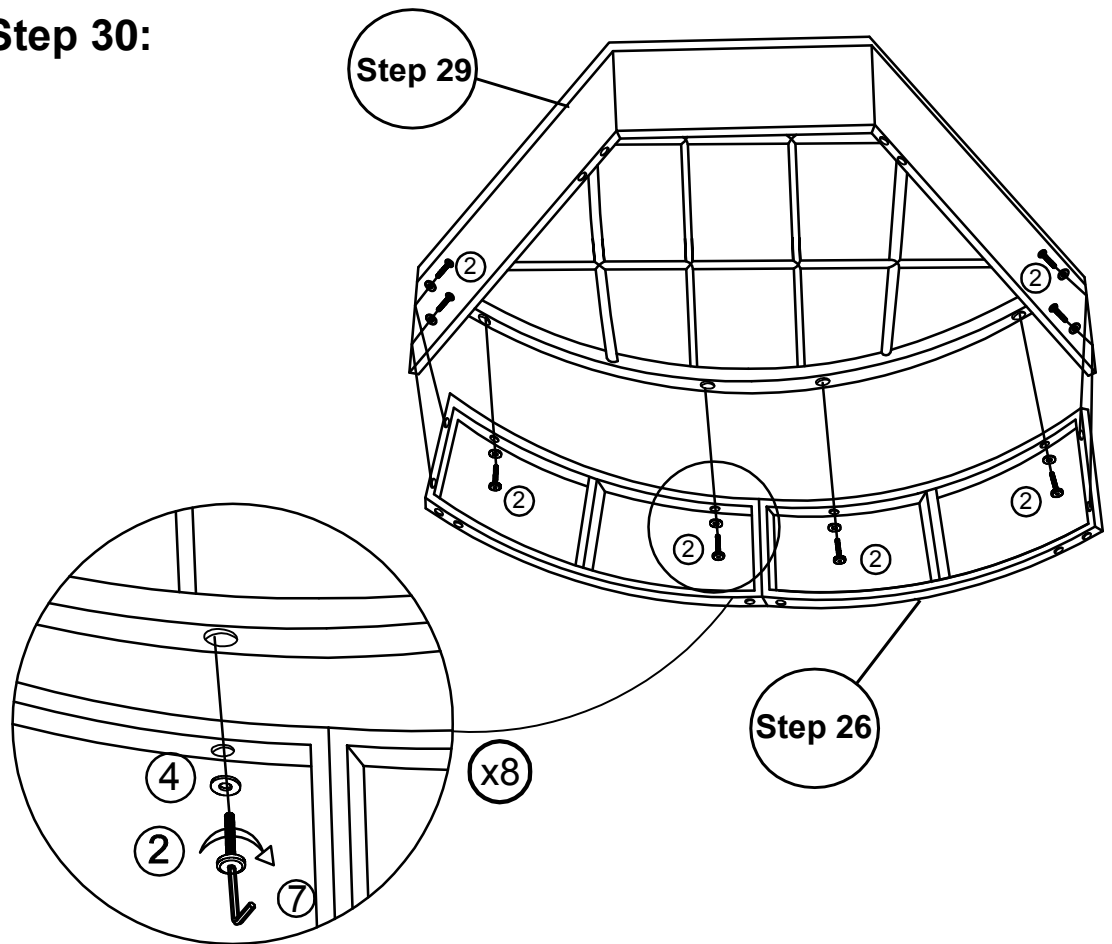
- (2)x2
- (4)x2
- (G3)x1

Step 29:



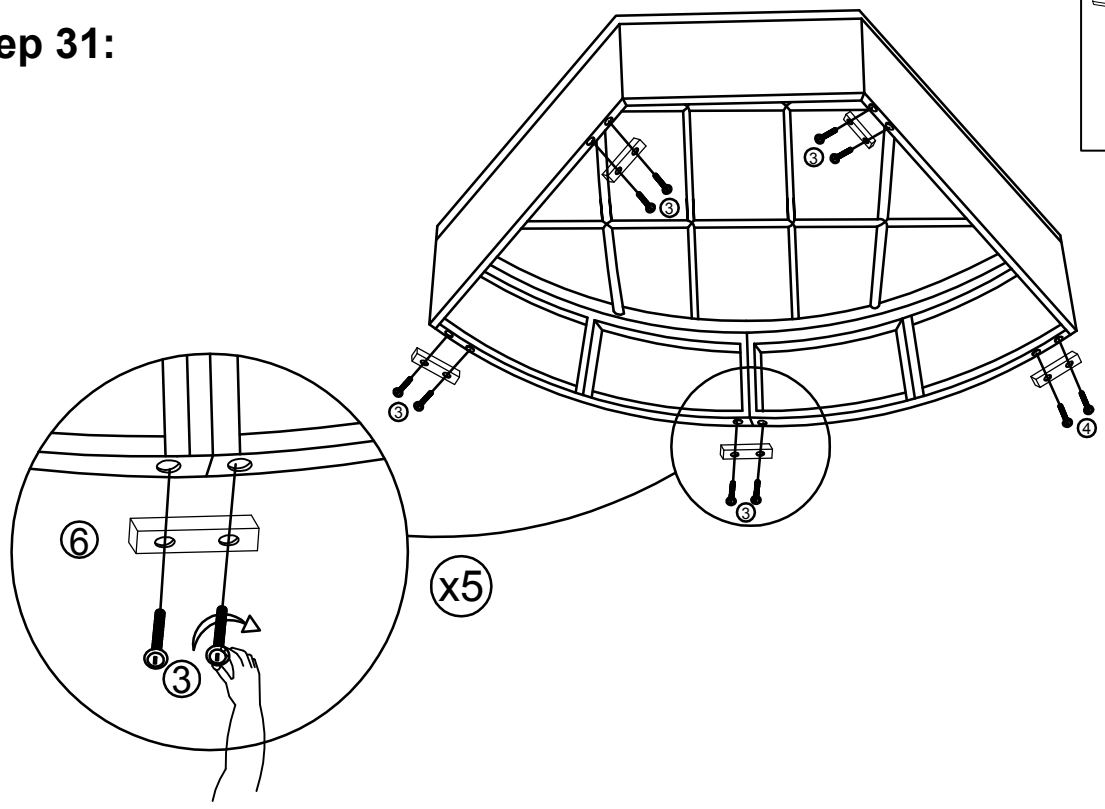
- (2)x5
- (4)x5
- (F2)x1

Step 30:



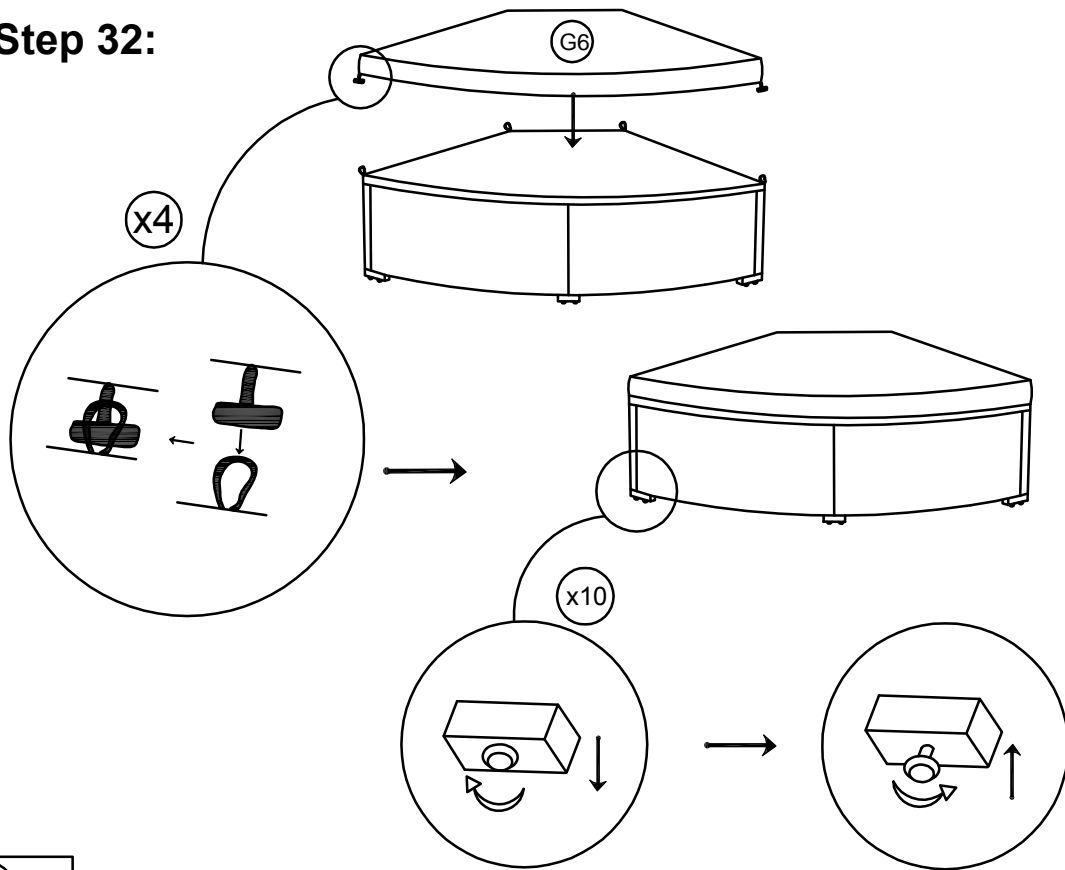
- ②x8
- ④x8

Step 31:



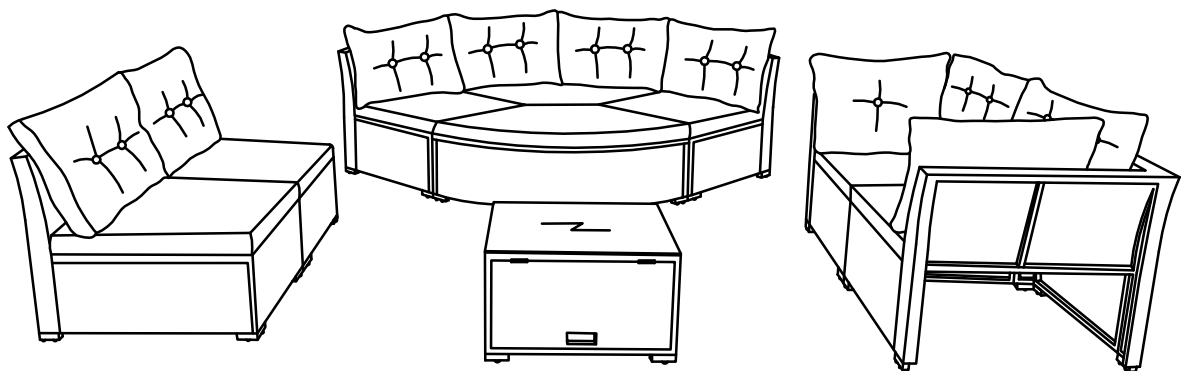
- ③x10
- ⑥x5

Step 32:



G6)x1

Step 33:



FINISH